

TIG WELDING PRODUCTS



Integra™



TORCHES
COMPLETE KITS
CABLES and CONSUMABLES
REPLACEMENT PARTS

INTEGRA™ by American Torch Tip

AMERICAN
TORCH TIP **ATTC**®

2

TORCH SELECTION & WELDING GUIDE

GAS TUNGSTEN ARC TORCH SELECTION GUIDE

TORCHES	AMP MAX AC/DC	SILICONE RUBBER	HARD PLASTIC	60 DEG.	90 DEG.	180 DEG.	FLEX	W/VALVE	W/O VALVE
AIR COOLED									
24	80	X	X	X	X			X	X
A10HP	100		X	X				X	X
24FHD	100	X					X	X	X
90	110		X	X				X	X
9	125	X	X	X		X	X	X	X
17	150	X	X	X			X	X	X
A16HP	160		X	X				X	X
A16F	160	X		X			X	X	X
26	200	X	X	X			X	X	X
WATER COOLED									
20EXT	180	X		X					X
24W	180	X		X	X				X
A20HP	200		X	X					X
25	200	X				X	X		X
20	250	X	X	X		X			X
20F	250	X					X		X
22	250		X			X			X
20HD	300	X		X					X
20FHD	350	X					X		X
18	350	X	X	X	X			X	X
A35P	350		X	X					X
12	500	X		X					X
18P	500	X				X			X
27A	500		X			X			X
27B	500		X			X			X

WELDING PARAMETER GUIDE

MATERIAL THICKNESS	TUNGSTEN ELECTRODE DIA.	NOZZLE SIZE	FILLER ROD DIA. (IF REQ'D)	AMPERAGE	SHIELDING GAS FLOW (CFH)
.020-.040in. (0.5-1.0mm)	.020-.040in. (0.5-1.0mm)	3,4,5	-	20-50	7-10
1/16in. (1.6mm)	1/16in. (1.6mm)	4,5,6	1/16in. (1.6mm)	80-100	10-20
3/32in. (2.4mm)	3/32in. (2.4mm)	6,7,8	3/32in. (2.4mm)	120-145	10-20
1/8in. (3.2mm)	1/8in. (3.2mm)	5,6,7	3/32in. (2.4mm)	120-145	10-20
1/8in. (3.2mm)	3/32in. (2.4mm)	6,7,8	3/32in. (2.4mm)	140-160	10-20
3/16in. (4.8mm)	3/32in. (2.4mm)	7,8,10	1/8in. (3.2mm)	200-250	20
1/4-3/8in. (6.4-9.5mm)	3/16in. (4.8mm)	8,10,12	3/16in. (4.8mm)	275-400	20
1/2in. (13mm)	3/16in. (4.8mm)	8,10,12	1/4in. (6.4mm)	275-500	20

NOTES: 1. Amperage is for Aluminum using AC and pure tungsten or Mild & Stainless using DCSP and 2% thoriated tungsten. 2. All figures are approximate and for reference only.
 3. Reduce gas flow 10% when using a gas lens collet body. 4. Nozzle number X 1/16 equals size. (Example: #5 Nozzle = 5/16" orifice)

TIG

WARNING! PROTECT YOURSELF AND OTHERS. READ ALL THE SAFETY INSTRUCTIONS

SAFETY FIRST!

1. Read and understand your employer's & the equipment manufacturer's safety instructions.
2. Do not use this equipment if you are not properly trained.
3. Electrical shock can kill. Always disconnect power source before hooking up or changing electrodes, nozzles and parts.



4. Avoid breathing fumes and gases. They can be dangerous to your health. Always use adequate ventilation when welding or cutting.



5. ARC RAYS can injure eyes and burn skin. Wear welding helmet with the proper grade filter lens. Protect yourself and others from spatter and arc flash rays by using protective screens, barriers and welding curtains.



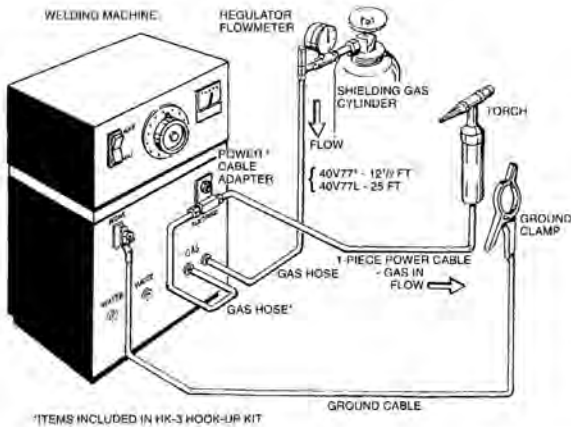
6. Noise can damage hearing. Wear proper ear protection.
7. Wear suitable nonflammable protective dry gloves and clothing to prevent arc and spatter burns.
8. Do not weld near degreasing or cleaning solvents. The heat of the arc can decompose solvent vapors to form toxic gases. Do not weld near flammable materials.

For more information on Health and Safety read: OSHA title 29 CFR 1910 Subpart Q; ANSI standard Z49.1, "Safety in Welding and Cutting" Available from the AWS, P.O. Box 351040, Miami, FL 33135; Canadian Standards Association W117.2 "Code For Safety in Welding and Cutting."

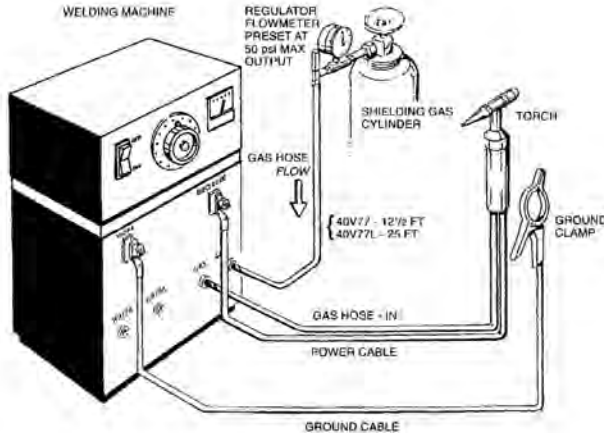
WARNING! - PROTECT YOURSELF AND OTHERS. READ ALL SAFETY PRECAUTIONS.

HOOK-UP INSTRUCTIONS

AIR COOLED - USING MACHINE GAS VALVE
ONE (1) PIECE POWER CABLE



AIR COOLED - USING MACHINE GAS VALVE
TWO (2) PIECE POWER CABLE

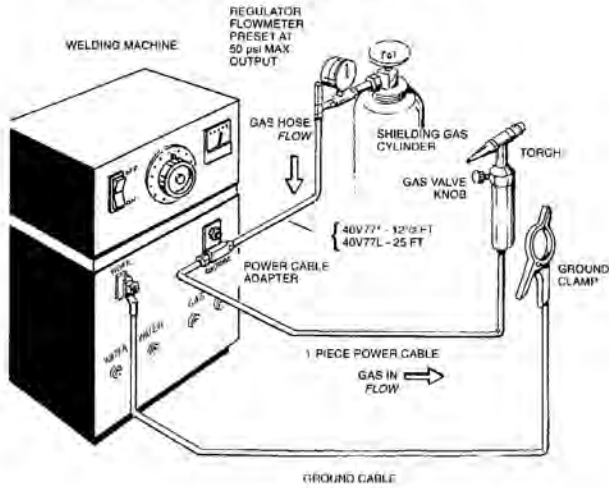


CAUTION: To avoid electrical shock, always turn power switch OFF prior to adjusting tungsten electrodes, Hook-up Kits or Extension Kits. Follow power supply manufacturer's instructions for connections of TIG torches and equipment.

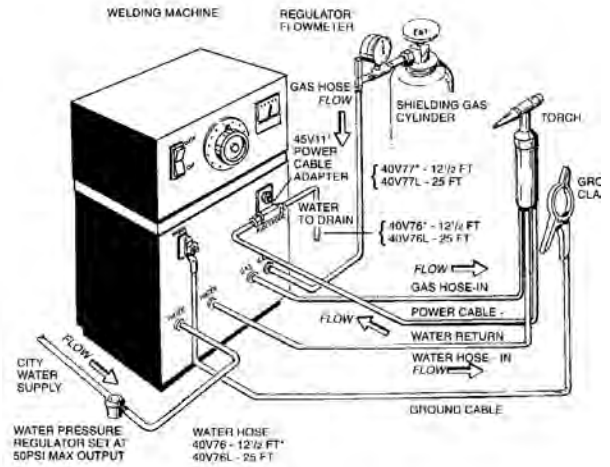
TIG

4 HOOK-UP INSTRUCTIONS

**AIR COOLED - USING TORCH GAS VALVE
ONE (1) PIECE POWER CABLE**

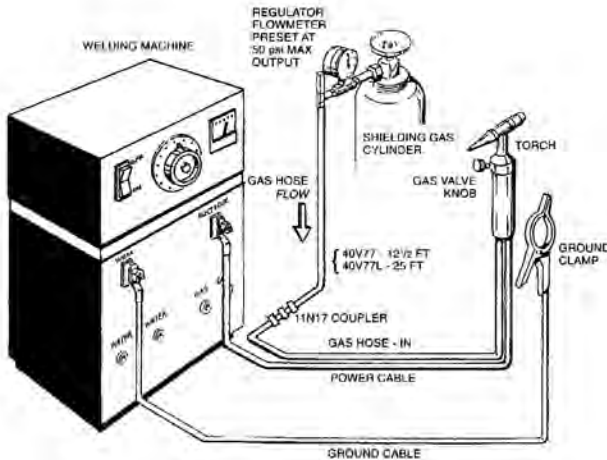


WATER COOLED - USING CITY WATER SUPPLY

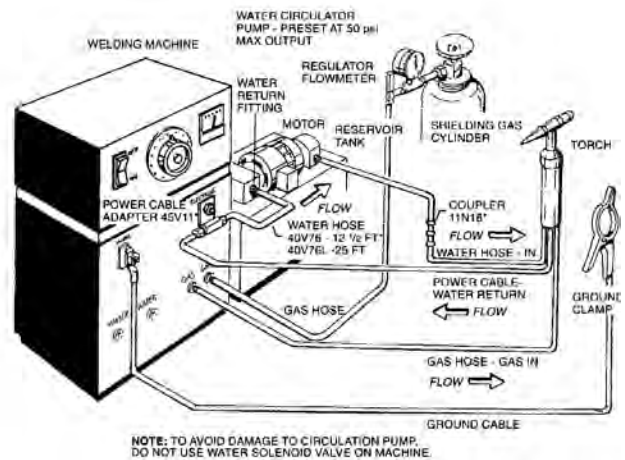


*ITEMS INCLUDED IN HK-1 HOOK-UP KIT

**AIR COOLED - USING TORCH GAS VALVE
TWO (2) PIECE POWER CABLE**



WATER COOLED - USING WATER CIRCULATOR



NOTE: TO AVOID DAMAGE TO CIRCULATION PUMP, DO NOT USE WATER SOLENOID VALVE ON MACHINE.

*ITEMS INCLUDED IN HK-1 HOOK-UP KIT

CAUTION: To avoid electrical shock, always turn power switch OFF prior to adjusting tungsten electrodes, Hook-up Kits or Extension Kits. Follow power supply manufacturer's instructions for connections of TIG torches and equipment.

TIG

PART #	TORCHES	DESCRIPTION
ALUMINA NOZZLES		
10N44	17,18,26	#12 Alumina Nozzle
10N45	17,18,26	#10 Alumina Nozzle
10N46	17,18,26	# 8 Alumina Nozzle
10N47	17,18,26	# 7 Alumina Nozzle
10N47	L17,18,26	#7L Long Alumina Nozzle
10N48	17,18,26	#6 Alumina Nozzle
10N48L	17,18,26	#6L Long ALumina Nozzle
10N49	17,18,26	#5 Alumina Nozzle
10N49L	17,18,26	#5L Long Alumina Nozzle
10N50	17,18,26	#4 Alumina Nozzle
13N08	9,17,18,20,22,25,26	#4 Alumina Nozzle
13N09	9,17,18,20,22,25,26	#5 Alumina Nozzle
13N10	9,17,18,20,22,25,26	#6 Alumina Nozzle
13N11	9,17,18,20,22,25,26	#7 Alumina Nozzle
13N12	9,17,18,20,22,25,26	#8 Alumina Nozzle
13N13	9,17,18,20,22,25,26	#10 Alumina Nozzle
14N57	10,12	#4 Alumina Nozzle
14N58	10,12	#5 Alumina Nozzle
14N59	10,12	#6 Alumina Nozzle
14N60	10,12	#7 Alumina Nozzle
14N61	10,12	#8 Alumina Nozzle
14N61-10	10,12	#10 Alumina Nozzle
14N61-12	10,12	#12 Alumina Nozzle
14N62	4,5	#6A Alumina Nozzle
14N63	4,5	#7A Alumina Nozzle
14N64	4,5	#8A Alumina Nozzle
14N65	90	HP#4 Alumina Nozzle
14N66	90HP	#5 Alumina Nozzle
14N67	90HP	#6 Alumina Nozzle
14N68	12	#4L Long Alumina Nozzle
14N69	12	#5L Long Alumina Nozzle
14N70	12	#6L Long Alumina Nozzle
14N71	12	#7L Long Alumina Nozzle
14N72	12	#8L Long Alumina Nozzle
14N73	90HP	#4L Long Alumina Nozzle
14N74	90HP	#5L Long Alumina Nozzle
14N75	90HP	#6L Long Alumina Nozzle
2304-0069	A10HP,A20HP	#4 Alumina Nozzle
2304-0070	A10HP,A20HP	#5 Alumina Nozzle
2304-0071	A10HP,A20HP	Order 2304-0005
2304-0072	A10HP,A20HP	#5 Short Alumina Nozzle
2304-0073	A10HP,A20HP	#6 Alumina Nozzle
2304-0074	A10HP,A20HP	#7 Alumina Nozzle
2304-0075	A50	#4 Alumina Nozzle
2304-0076	A50	#6 Alumina Nozzle
2304-0077	A50	#8 Alumina Nozzle
2304-0078	A50	#10 Alumina Nozzle
2304-0079	A16HP,A35HP	#4 Alumina Nozzle
2304-0080	A16HP,A35HP	#5 Alumina Nozzle

PART #	TORCHES	DESCRIPTION
2304-0081	A16HP,A35HP	#6 Alumina Nozzle
2304-0082	A16HP,A35HP	#8 Alumina Nozzle
2304-0083	A16HP,A35HP	#10 Alumina Nozzle
2304-0084	A16HP,A35HP	#4 Short Alumina Nozzle
2304-0085	A16HP,A35HP	#8 Short Alumina Nozzle
2304-0180	A16HP,A35HP	#4 Alumina Nozzle for GL
2304-0182	A16HP,A35HP	#5 Alumina Nozzle for GL
2304-0183	A16HP,A35HP	#6 Alumina Nozzle for GL
2304-0184	A16HP,A35HP	#8 Alumina Nozzle for GL
2304-0186	A16HP,A35HP	#10 Alumina Nozzle for GL
2304-0190	A10HP,A20HP	#4 Alumina Nozzle for GL
2304-0192	A10HP,A20HP	#5 Alumina Nozzle for GL
2304-0194	A10HP,A20HP	#6 Alumina Nozzle for GL
2304-0195	A10HP,A20HP	#7 Alumina Nozzle for GL
53N23A	24	.165 Alumina Nozzle
53N24A	24	#4 Alumina Nozzle
53N25A	24	#5 Alumina Nozzle
53N26A	24	#6 Alumina Nozzle
53N58	9,20,22,24,25,90HP	#4 Alumina Nozzle for GL
53N59	9,20,22,24,25,90HP	#5 Alumina Nozzle for GL
53N60	9,20,22,24,25,90HP	#6 Alumina Nozzle for GL
53N61	9,20,22,24,25,90HP	#7 Alumina Nozzle for GL
53N61S	9,20,22,24,25,90HP	#8 Alumina Nozzle for GL
53N87	17,18,26,27	#12 Alumina Noz.
53N87L	17,18,26,27	#12L Long Alum. Noz. 2 3/4"
53N87XL	17,18,26,27	#12XL Long Alum. Noz 3 1/4"
53N87XXL	17,18,26,27	#12XXL Lng Alum. Noz 4 3/4"
53N88	17,18,26,27	#10 Alumina Noz.
53N88L	17,18,26,27	#10L Long Alum. Noz. 2 2/3"
53N88XL	17,18,26,27	#10XL Long Alum. Noz. 3 1/4"
53N88XXL	17,18,26,27	#10XXL Long Alum. Noz 4 3/4"
53N89	17,18,26,27	#15 Short Alum. Noz.
54N17	17,18,26	#5 Alumina Nozzle for GL
54N17L	17,18,26	#5L Long Alumina Nozzle for GL
54N18	17,18,26	#4 Alumina Nozzle for GL
54N19	17,18,26	.700 Short Alumina Nozzle for GL
57N74		
54N74L		
57N74XXL	17,18,26,27	#8XXL Long Alum. Noz 4 3/4"
57N75	17,18,26,27	#6 Alumina Nozzle
57N75L	17,18,26,27	#6L Long Alum. Nozzle 2 3/4"
57N75XL	17,18,26,27	#6XL Long Alum. Noz. 3 1/4"
57N75XXL	17,18,26,27	#6XXL Long Alum. Noz. 4 3/4"

LAVA NOZZLES

08N78	17,18,26	#8 Lava Nozzle
08N79	17,18,26	#10 Lava Nozzle
08N80	17,18,26	#12 Lava Nozzle
105Z42	17,18,26	#5 Lava Nozzle
105Z43	17,18,26	#4 Lava Nozzle
105Z44	17,18,26	#6 Lava Nozzle
105Z45	17,18,26	#7 Lava Nozzle
105Z59	12	#5L Long Lava Nozzle
105Z60	17,18,26	#5L Long Lava Nozzle

PARTS BY CATEGORY

PART #	TORCHES	DESCRIPTION	PART #	TORCHES	DESCRIPTION
105Z61	17,18,26	#7L Long Lava Nozzle	Nozzle		
12N01	12	#7L Long Lava Nozzle	796F75	9,20,22,25	#4XL Extra Long Lava Nozzle
12N02	17,18,26	#6L Long Lava Nozzle	796F76	9,20,22,25	#5XL Extra Long Lava Nozzle
12N03	17,18,26	#4L Long Lava Nozzle	796F77	9,20,22,25	#6XL Extra Long Lava Nozzle
			796F79	9,20,22,25	#4XXL Extra Long Lava Nozzle
			796F80	9,20,22,25	#5XXL Extra Long Lava Nozzle
13N14	9,20,22,25	#4 Lava Nozzle	81Z51	4,5	#6A Lava Nozzle
13N15	9,20,22,25	#5 Lava Nozzle	81Z52	4,5	#7A Lava Nozzle
13N16	9,20,22,25	#6 Lava Nozzle	81Z53	4,5	#8A Lava Nozzle
13N17	9,20,22,25	#7 Lava Nozzle			
13N18	9,20,22,25	#8 Lava Nozzle			
13N19	9,20,22,25	#10 Lava Nozzle	84Z36	90HP	#4 Lava Nozzle
			84Z37	90HP	#5 Lava Nozzle
			84Z86	90HP	#6 Lava Nozzle
2304-0002	A10HP, A20HP	#4 Lava Nozzle	COLLETS		
2304-0004	A10HP,A20HP	#5 Lava Nozzle	10N21	17,18,26	Collet .020
2304-0005	A10HP,A20HP	#4 Lava Nozzle	10N21S	17,18,26	Stubby Collet .020
2304-0049	A10HP,A20HP	#6 Lava Nozzle	10N22	17,18,26	Collet .040
2304-0050	A10HP,A20HP	#7 Lava Nozzle	10N22S	17,18,26	Stubby Collet .040
			10N23	17,18,26	Collet 1/16
2304-0079C	A16HP,A35HP	#4 Alumina Nozzle	10N23S	17,18,26	Stubby Collet 1/16
2304-0080C	A16HP,A35HP	#5 Alumina Nozzle	10N24	17,18,26	Collet 3/32
2304-0081C	A16HP,A35HP	#6 Alumina Nozzle	10N24S	17,18,26	Stubby Collet 3/32
2304-0082C	A16HP,A35HP	#8 Alumina Nozzle	10N25	18,26	Collet 1/8
2304-0083C	A16HP,A35HP	#10 Alumina Nozzle	10N25S	18,26	Stubby Collet 1/8
2304-0084C	A16HP,A35HP	#4 Alumina Nozzle			
2304-0085C	A16HP,A35HP	#8 Alumina Nozzle	13N20	9,20,25	Collet .020
			13N20L	9,20,25	Gas Lens Collet .020
3L	A16HP,A35HP	#3L Long Lava Nozzle	13N21	9,20,25	Collet .040
3L-A	A10HP,A20HP	#3L Long Lava Nozzle	13N21L	9,20,25	Gas Lens Collet .040
4L-A	A10HP,A20HP	#4L Long Lava Nozzle	13N22	9,20,25	Collet 1/16
4L-79	A16HP,A35HP	#4L Long Lava Nozzle	13N22L	9,20,25	Gas Lens Collet 1/16
5L-A	A10HP,A20HP	#5L Long Lava Nozzle	13N23	9,20,25	Collet 3/32
5L-80	A16HP,A35HP	#5L Long Lava Nozzle	13N23L	9,20,25	Gas Lens Collet 3/32
6L-A	A10HP,A20HP	#6L Long Lava Nozzle	13N24	20,25	Collet 1/8
6L-81	A16HP,A35HP	#6L Long Lava Nozzle	13N24	20,25	Gas Lens Collet 1/8
8L-82	A16HP,A35HP	#8L Long Lava Nozzle			
			22N20A	22A	.020 Collet
53N23	24	.165 Lava Nozzle	22N20AL	22A	.020 Lg. Gas Lens Collet
53N24	24	#4 Lava Nozzle	22N20B	22B	.020 Collet
53N25	24	#5 Lava Nozzle	22N20BL	22B	.020 Lg. Gas Lens Collet
53N26	24	#6L Long Lava Nozzle			
53N27	24	#6 Lava Nozzle	22N21A	22A	.040 Collet
53N28	24	#4L Long Lava Nozzle	22N21AL	22A	.040 Lg. Gas Lens Collet
			22N21B	22B	.040 Collet
54N31	17,18,31	#8 Lava Nozzle for GL	22N21BL	22B	.040 Lg. Gas Lens Collet
54N32	17,18,31	#7 Lava Nozzle for GL			
54N33	17,18,31	#6 Lava Nozzle for GL	22N22A	22A	1/16 Collet
54N34	17,18,31	#5 Lava Nozzle for GL	22N22AL	22A	1/16 Lg. Lens Collet
54N35	17,18,31	#4 Lava Nozzle for GL	22N22B	22B	1/16 Collet
54N36	17,18,26	#11 Short Lava Nozzle for GL	22N22BL	22B	1/16 Lg. Lens Collet
796F70	9,20,22,25	#3L Long Lava Nozzle	22N23A	22A	3/32 Collet
796F71	9,20,22,25	#4L Long Lava Nozzle	22N23AL	22A	3/32 Lg. Lens Collet
796F72	9,20,22,25	#5L Long Lava Nozzle	22N23B	22B	3/32 Collet
796F73	9,20,22,25	#6L Long Lava Nozzle	22N23BL	22B	3/32 Lg. Lens Collet
796F74	9,20,22,25	#3XL Extra Long Lava			

TIG

PARTS BY CATEGORY

PART #	TORCHES	DESCRIPTION
22N24A	22A	1/8 Collet
22N24AL	22A	1/8 Lg. Lens Collet
22N24B	22B	1/8 Collet
22N24BL	22B	1/8 Lg. Lens Collet
2304-0068	A10HP,A20HP	Collet 1/8
2304-0086	A16HP,A35HP	Collet .020
2304-0087	A16HP,A35HP	Collet .040
2304-0088	A16HP,A35HP	Collet 1/16
2304-0089	A16HP,A35HP	Collet 3/32
2304-0090	A16HP,A35HP	Collet 1/8
2304-0091	A16HP,A35HP	Collet 5/32
2304-0135	A10HP,A20HP	Collet 3/32
2304-0136	A10HP,A20HP	Collet 1/16
2304-0137	A10HP,A20HP	Collet .040
2304-0138	A10HP,A20HP	Collet .020
2304-0146	A10HP,A20HP	Collet 3/16
24C332	24	Collet 3/32
24GLC332	24	Gas Les Collet 3/32
53N14	24	Collet 1/16
53N15	24	Collet .020
53N16	24	Collet .040
53N62	24	Gas Lens Collet .020
53N63	24	Gas Lens Collet .040
53N64	24	Gas Lens Collet 1/16
54N20	18,26	Collet 5/32
54N20S	18,26	Stubby Collet 5/32
57N45	27	Collet .040
57N46	27	Collet 1/16
57N47	27	Collet 3/32
57N48	27	Collet 1/8
57N49	27	Collet 5/32
57N50	27	Collet 3/16
57N51	27	Collet 1/4
84Z33	90HP	Collet 1/16
84Z34	90HP	Collet .020
84Z35	90HP	Collet .040
COLLET BODIES		
105Z27	90HP	Collet Body
10N28	18,26	Collet Body 1/8
10N29	17,18,26	Collet Body .020
10N30	17,18,26	Collet Body .040
10N31	17,18,26	Collet Body 1/16
10N32	17,18,26	Collet Body 3/32
13N25	9,20,25	Collet Body .020
13N26	9,20,25	Collet Body .040
13N27	9,20,25	Collet Body 1/16
13N28	9,20,25	Collet Body 3/32
13N29	9,20,25	Collet Body 5/32
17CB20	17,18,26	Stubby Collet Body

PART #	TORCHES	DESCRIPTION
17CB21	17,18,26	Stubby Collet Body .040
17CB22	17,18,26	Stubby Collet Body 1/16
17CB23	17,18,26	Stubby Collet Body 3/32
17CB24	17,18,26	Stubby Collet Body 5/32
2310-1810	A10HP,A20HP	Nose Collet Body
2310-1938	A16HP,A35HP	Nose Collet Body
24CB332	24	Collet Body 3/32
406488	18,26	Collet Body 5/32
53N17	24	Collet Body .020
53N18	24	Collet Body .040
53N19	24	Collet Body 1/16
GAS LENS COLLET BODIES		
45V0204	17,18,26	.020-.040 Large Dia. Gas Lens C/B
45V0204C	17,18,26	.020-.040 Large Dia. Copper GL C/B*
45V0204S	9,20	.020-.040 Large Dia. Stubby C/B
45V0204SC	9,20	.020-.040 Lg. Stubby Copper C/B*
45V116	17,18,26	1/16 Large Dia. Gas Lens C/B
45V116C	17,18,26	1/16 Large Dia. Copper C/B*
45V116S	9,20	1/16 Large Dia. Stubby C/B
45V116SC	9,20	1/16 Lg. Stubby Copper C/B*
45V24	17,18,26	.040 Gas Lens Collet Body
45V24C	17,18,26	.040 Copper GL Collet Body*
45V24S	9,20	.040 Stubby GL Collet Body
45V24SC	9,20	.040 Stubby Copper GL C/B*
45V25	17,18,26	1/16 Gas Lens Collet Body
45V25C	17,18,26	1/16 Copper GL Collet Body*
45V25S	9,20	1/16 Stubby GL Collet Body
45V25SC	9,20	1/16 Stubby Copper GL C/B*
45V26	17,18,26	3/32 Gas Lens Collet Body
45V26C	17,18,26	3/32 Copper GL Collet Body*
45V26S	9,20	3/32 Stubby GL Collet Body
45V26SC	9,20	3/32 Stubby Copper GL C/B*
45V27	17,18,26	1/8 Gas Lens Collet Body
45V27C	17,18,26	1/8 Copper GL Collet Body*
45V27S	9,20	1/8 Stubby GL Collet Body
45V27SC	9,20	1/8 Stubby Copper GL C/B*
45V28	17,18,26	5/32 Gas Lens Collet Body
45V28C	17,18,26	5/32 Copper Collet Body*
45V28S	9,20	5/32 Stubby Collet Body
45V28SC	9,20	5/32 Stubby Copper GL C/B*
45V29	17,18,26	.020 Gas Lens Collet Body
45V29C	17,18,26	.020 Copper Collet Body*
45V29S	9,20	.020 Stubby Collet Body
45V29SC	9,20	.020 Stubby Copper C/B*
45V41	9,20,22,24,25,90HP	.020 Gas Lens Collet Body
45V41C	9,20,22,24,25,90HP	.020 Copper GL Collet Body*
45V42	9,20,22,24,25,90HP	.040 Gas Lens Collet Body



PARTS BY CATEGORY

PART #	TORCHES	DESCRIPTION
45V42C	9,20,22,24,25,90HP	.040 Copper GL Collet Body*
45V43	9,20,22,24,25,90HP	1/16 Gas Lens Collet Body
45V43C	9,20,22,24,25,90HP	1/16 Copper GL Collet Body*
45V44	9,20,22,24,25,90HP	3/32 Gas Lens Collet Body
45V44C	9,20,22,24,25,90HP	3/32 Copper GL Collet Body*
45V45	20,22,25	1/8 Gas Lens Collet Body
45V45C	20,22,25	1/8 Copper GL Collet Body*
45V63	18,26	5/32 Large Dia. Gas Lens C/B
45V63C	18,26	5/32 Large Dia. Copper GL C/B*
45V63S	20,22,25	5/32 Large Dia. Stubby GL C/B
45V63SC	20,22,25	5/32 Lg. Stubby Copper GL C/B*
45V64	17,18,26	3/32 Large Dia. Gas lens C/B
45V64C	17,18,26	3/32 Large Dia. Copper GL C/B*
45V64S	9,20,22,25	3/32 Large Dia. Stubby GL C/B
45V64SC	9,20,22,25	3/32 Lg. Stubby Copper GL C/B*
45V22	27	.040 Gas Lens Collet Body
45V23	27	1/16 Gas Lens Collet Body
45V24	27	3/32 Gas Lens Collet Body
45V25	27	1/8 Gas Lens Collet Body
45V26	27	5/32 Gas Lens Collet Body
45V27	27	3/16 Gas Lens Collet Body
45V28	27	1/4 Gas Lens Collet Body
995795	18,26	1/8 Large Dia. Gas Lens C/B
995795C	18,26	1/8 Large Dia. Copper GL C/B*
995795-316	18,26	3/16 Large Dia. Gas Lens C/B
995795-316C	18,26	3/16 Large Dia. Copper GL C/B*
995795S	9,20,22,25	1/8 Large Dia. Stubby GL C/B
995795SC	9,20,22,25	1/8 Lg. Stubby Copper GL C/B*
GASKETS, INSULATORS & O-RINGS		
024	24FHD,24FVHD	O-Ring
VS-0	17,26	O-Ring for VS-1, VS-2
VSF-0	9F,17F,24F	O-Ring for VSF-1, VSF-2
VS-16-0	A16HPV	O-Ring for VS-16
105Z26	90HP	Insulator Sleeve
18-7	17,18,26	Back Insulator
18CG	17,18,26	Cup Gasket
18CG20	17,18,26	Stubby Gasket
181W89	27	O-Ring
22-9	22A,22B	Rubber Boot
22-10	22A,22B	Gasket
2310-0019	A10HP,A20HP	O-Ring
2310-0040	A16HP,A35HP	O-Ring for All Airco Back Caps
2310-0733	A16HP,A35HP	O-Ring
2389-3686	A50	O-Ring
27-2-4	27	O-Ring
27-12	27	Insulating Boot

PART #	TORCHES	DESCRIPTION
27-13-2	27	O-Ring
27-13-3	27	O-Ring
45V52	90HP	Adapter, Gas Lens
53N22	24	Insulator, Gasket
53N66	24	Insulator, Gas Lens
53N85	90HP	Insulator, Gas Lens
54N01	17,18,26	Insulator, Medium Gas Lens
54N01S	9,20	Insulator, Medium Stubby GL
54N63	17,18,26	Insulator, Lg. Gas Lens
54N63-20	9,20	Insulator, Lg. Dia. Gas Lens
598882	9,20	Cup Gasket
85W49	90HP	O-Ring
85Z99	12	Insulator Sleeve
98W18	17,18,26	O-Ring for 57Y02,04 Back Cap
98W77	9,20	O-Ring for 41V4,33,35 Back Cap
9-4	9,20	Insulator Insert
BACK CAPS		
22-7	22A,22B	Knob
2304-0008	A10HP,A20HP	Back Cap, Short
2304-0009	A10HP,A20HP	Back Cap, Medium
2304-0010	A10HP,A20HP	Back Cap, Long
2304-0143	A16HP,A35HP	Back Cap, Short
2304-0144	A16HP,A35HP	Back Cap, Medium
2304-0145	A16HP,A35HP	Back Cap, Long
27-13A	27A	Shft Assm. "A" Mdl incl. shft. Knob 1 ea. 27-13-2 & 27-13-3 O-Rng
27-13B	27B	Shft Assm. "B" Mdl incl. shft. Knob 1 ea. 27-13-2 & 27-13-3 O-Rng
300M	17,18,26	Back Cap, Medium
41V24	9,20	Back Cap, Long
41V33	9,20	Back Cap, Short
41V35	9,20	Back Cap, Medium
56V40	90HP	Back Cap, Long
56Y44	12	Back Cap, Long
56Y02	12	Back Cap, Short
HANDLES & VALVES		
105Z55	17HP,24HP,90HP,9HP	Handle, Textured threaded
105Z55R	17HP,24HP,90HP,9HP	Handle, Ribbed threaded
10N15	18HP	Handle, Textured threaded
10N15R	18HP	Handle, Ribbed threaded
18PB	18P	Barrel
18R-1	18P	Screws, (2) Rack Barrel
18R24	18P	Rack, 24 Pitch
18R32	18P	Rack, 32 Pitch
22-8A	22A	Barrel-7"
22-8B	22B	Barrel-3"
2310-1815	A20HP	Handle

TIG

KITS & PARTS BY CATEGORY

PART #	TORCHES	DESCRIPTION
2310-1841	A10HP	Handle
2310-1861	A16F	Order H200
2310-1862	A16HP, A35HP	Handle
2310-1862R	A16HP, A35HP	Handle, Ribbed
27-9B	27B	Barrel Assembly w/ Rack Hole
27-10A	27A	Barrel Assembly "A" Model incl. 3ea. 27-10 Screws & 3 ea. 27-11 Washers
27-10B	27B	Barrel Assembly "A" Model incl. 3ea. 27-10 Screws & 3 ea. 27-11 Washers
27R24	27B	Barrel Rack "B" Model Only-24 Pitch (1/4x1/4x11")
27R32	27B	Barrel Rack "B" Model Only-32 Pitch (1/4x1/4x11")
H-100	9,9F,17,17F,24,24FHD	Handle, slip on
H-100R	9,9F,17,17F,24,24FHD	Handle, ribbed slip on
H-100V	9FV,17FV,24FVHD	Handle, w/ valve slip on
H-200	A16HP,16FV,18,26,26V	Handle, slip on
H-200R	A16HP,16FV,18,26,26V	Handle, ribbed slip on
H-200V	A16FV,26FV	Handle, w/ valve slip on
53N06	20HP,9HP	Handle, threaded
53N06R	20HP,9HP	Handle, ribbed threaded
53N06FR	20FHD	Handle, for 20FHD
53N06V	9V,9FV	Handle, threaded
54N84	26HP	Handle, smooth threaded
54N84R	26HP	Handle, ribbed threaded
85WP13	12	Handle
V-1	18, 20, 20F, 20FHD, 24W	Valve, Gas Control Slide
V-2	9, 17, 24, 90HP	Valve, Gas Control Slide
VS-1	26V	Valve Knob Stem
VS-2	17V	Valve Knob Stem
VS-16	A16HPV	Valve Knob Stem
VSF-1	9V, 9FV, 17FV, 24FVHD	Valve Knob Stem

CABLES & HOSES

2310-0695	A50	Water Hose, 3 Ft. Rubber
2310-0696	A50	Gas Hose, 3 Ft. Rubber
2310-0697	A50	Power Cable, 3 Ft. Rubber
2310-1805	A20HP	Gas Hose, 25 Ft. Rubber
2310-1806	A20HP	Gas Hose, 12.5 Ft. Rubber
2310-1807	A20HP	Water Hose, 25 Ft. Rubber
2310-1808	A20HP	Water Hose, 12.5 Ft. Rubber
2310-1817	A20HP	Power Cable, 12.5 Ft. Rubber
2310-1818	A20HP	Power Cable, 25 Ft. Rubber
2310-1844	A10HP	Power Cable, 12.5 Ft. Rubber
2310-1845	A10HP	Power Cable 12.5 Ft. Rubber
2310-1853	A16HP	Power Cable, 12.5 Ft. Rubber

PART #	TORCHES	DESCRIPTION
2310-1854	A16HP	Power Cable, 25 Ft. Rubber
2310-1854S	A16HP	Power Cable, 25 Ft. Rub. (L/D)
2310-1856	A35HP	Power Cable, 12.5 Ft. Rubber
2310-1857	A35HP	Power Cable, 25 Ft. Rubber
2310-1869	A35HP	Gas Hose, 25 Ft. Rubber
2310-1870	A35HP	Water Hose, 25 Ft. Rubber
2310-1871	A35HP	Water Hose, 12.5 Ft. Rubber
2310-1873	A35HP	Gas Hose, 12.5 Ft. Rubber
2310-1954	A35HP	Power Cable & Hose Assy., 25 Ft. 12.5 Ft. Power Cable, Vinyl
40V64	18	12.5 Ft. Power Cable, Rubber
40V64R	18	12.5 Ft. Water Hose, Vinyl
40V74	18	12.5 Ft. Water Hose, Braided
40V74R	18	12.5 Ft. Gas Hose, Vinyl
40V75	18,26	12.5 Ft. Gas Hose, Braided
40V75R	18,26	12.5 Ft. Ext. Water Hose, Vinyl
40V76	18,20,24W,25	12.5 Ft. Ext. Water Hose, Rubber
40V76R	18,20,24W,25	25 Ft. Ext. Water Hose, Vinyl
40V76L	18,20,24W,25	25 Ft. Ext. Water Hose, Rubber
40V76LR	18,20,24W,25	12.5 Ft. Ext. Gas Hose, Vinyl
40V77	18,20,24W,25	12.5 Ft. Ext. Gas Hose, Rubber
40V77R	18,20,24W,25	25 Ft. Ext. Gas Hose, Vinyl
40V77L	18,20,24W,25	25 Ft. Ext. Gas Hose, Rubber
40V77LR	18,20,24W,25	12.5 Ft. Ext. Power Hose, Vinyl
40V78	18,20,24W,25	12.5 Ft. Ext. Power Hose, Rubber
40V78R	18,20,24W,25	25 Ft. Ext. Power Hose, Vinyl
40V78L	18,20,24W,25	25 Ft. Ext. Power Hose, Rubber
40V78LR	18,20,24W,25	3 Ft. Gas Hose, Rubber
40V82R-3	27	12.5 Ft. Gas Hose, Rubber
40V82R	12,27	25 Ft. Gas Hose, Rubber
40V82RL	12,27	3 Ft. Water Hose, Rubber
40V83R-3	27	12.5 Ft. Water Hose, Rubber
40V83R	12,27	25 Ft. Water Hose, Rubber
40V83RL	12,27	3 Ft. Power Cable, Rubber
40V83R-3	27	12.5 Ft. Power Cable, Rubber
40V83R	12,27	25 Ft. Power Cable, Rubber
40V83RL	12,27	Hose & Cable Assy., 12.5 Ft.
40WP84	12	Hose & Cable Assy., 25 Ft.
40WP84-L	12	25 Ft. Power Cable, Vinyl
41V29	18	25 Ft. Power Cable, Rubber
41V29R	18	50 Ft. Power Cable, Rubber
41V29R-50	18	25 Ft. Gas Hose, Vinyl
41V30	18,26	25 Ft. Gas Hose, Braided
41V30R	18,26	50 Ft. Gas Hose, Braided
41V30R-50	18,26	25 Ft. Water Hose, Vinyl
41V32	18	25 Ft. Water Hose, Braided
41V32R	18	50 Ft. Water Hose, Braided
41V32R-50	18	12.5 Ft. Power Cable, Vinyl
45V03	20,20F,22,24W,25	12.5 Ft. Power Cable, Braided
45V03R	20,20F,22,24W,25	12.5 Ft. Power Cable, Rubber
45V03RF	20FHD	25 Ft. Power Cable, Vinyl
45V04	20,22,24W,25	

KITS & PARTS BY CATEGORY

PART #	TORCHES	DESCRIPTION
45V04R	20,22,24W,25	25 Ft. Power Cable, Braided
45V04RF	20FHD	25 Ft. Power Cable, Rubber
45V07	20,20F,22,24W,25	12.5 Ft. Water Hose, Vinyl
45V07R	20,20F,22,24W,25	12.5 Ft. Water Hose, Braided
45V08	20,20F,22,24W,25	25 Ft. Water Hose, Vinyl
45V08R	20,20F,22,24W,25	25 Ft. Water Hose, Braided
45V09	20,20F,22,24W,25	12.5 Ft. Gas Hose, Vinyl
45V09R	9,17,20,20F	12.5 Ft. Gas Hose, Braided
45V10	20,20F,22,24W,25	25 Ft. Gas Hose, Vinyl
45V10R	9,17,20,20F	25 Ft. Gas Hose, Braided
46V28	26	12.5 Ft. Power Cable, Vinyl
46V28-2	26	12.5 Ft. Power Cable (2 pc), Brdd
46V28R	26	12.5 Ft. Power Cable, Rubber
46V30	26	25 Ft. Power Cable, Vinyl
46V30-2	26	25 Ft. Power Cable (2 pc), Braided
46V30R	26	25 Ft. Power Cable, Rubber
56Y38	24,90HP	12.5 Ft. Power Cable, Vinyl
56Y38BR	24,90HP	12.5 Ft. P.C. Braided (light duty)
56Y38R	24,90HP	12.5 Power Cable, Rubber
56Y97	24,90HP	25 Ft. Power Cable, Vinyl
56Y97R	24,90HP	25 Ft. Power Cable, Rubber
57Y01	9,17,24FHD	12.5 Ft. Power Cable, Vinyl
57Y01-2	9,17,24FHD	12.5 Ft. P.C. (2 pc.), Braided
57Y01BR	9,17,24FHD	12.5 Ft. P.C. Braided (light duty)
57Y01R	9,17,24FHD	12.5 Ft. Power Cable, Rubber
57Y03	9,17,24FHD	25 Ft. Power Cable, Vinyl
57Y03-2	9,17,24FHD	25 Ft. P.C. (2 pc), Braided
57Y03R	9,17,24FHD	25 Ft. Power Cable, Rubber
57Y03R-50	9,17,24FHD	50 Ft. Power Cable, Rubber

CABLE COVERS

CC-3-10		Cable Covers (3" x 10')
CC-3-10HD		Heavy Duty Cable Cover (3" x 10')
CC-3-22		Cable Covers (3" x 22')
CC-3-22HD		Heavy Duty Cable Cover (3" x 22')
CC-4-10		Cable Covers (4" x 10')
CC-4-10HD		Heavy Duty Cable Covers (4" x 10')
CC-4-22		Cable Covers (4" x 22')
CC-4-22HD		Heavy Duty Cable Covers (4" x 10')

POWER ADAPTERS

105Z57	9,17,24FHD	Power Cable Adapter
2310-0735	A35HP	Power Connector
2310-1824	A20HP	Power Connector
2310-1879	A16HP	Power Connector
2310-2191	A10HP	Power Connector
45V11	18,20,22,24W,25	Power Cable Adapter
45V62	26	Power Cable Adapter
53N43	24,24HP,24V,90HP	Power Cable Adapter
PCA-2	9,17,26	Power Cable Adapter

EXTENSION KITS

EK-1-12	18,20,20F,24W,25 Includes:	12.5' Ext. Kit, Water Cooled Vinyl (1)12.5' Ext. Power Cable (40V78) (1)12.5' Ext. Water Hose (40V76) (1)12.5' Ext. Gas Hose (40V77) (1)Power Cable Coupler (11N19)
---------	-------------------------------	---

PART #	TORCHES	DESCRIPTION
		(1)Water Hose Coupler (11N18) (1)Gas Hose Coupler (11N17) (1)Insulator Sleeve (11N19IS)
EK-1-12-R	18,20,20F,24W,25 Includes:	12.5' Ext. Kit, Water Cooled Rubber (1)12.5' Ext. Power Cable (40V78R) (1)12.5' Water Hose (40V76R) (1)12.5' Ext. Gas Hose (40V77R) (1)Power Cable Coupler (11N19) (1)Water Hose Coupler (11N18) (1)Gas Hose Coupler (11N17) (1)Insulator Sleeve (11N19IS)
EK-1-25	18,20,20F,24W,25 Includes:	25' Ext. Kit, Water Cooled Vinyl (1)25' Ext. Power Cable (40V78L) (1)25' Ext. Water Hose (40V76L) (1)25' Ext. Gas Hose (40V77L) (1)Power Cable Coupler (11N19) (1)Water Hose Coupler (11N18) (1)Gas Hose Coupler (11N17) (1)Insulator Sleeve (11N19IS)
EK-1-25-R	18,20,20F,25 Includes:	25' Ext. Kit, Water Cooled Rubber (1)25' Ext. Power Cable (40V78LR) (1)25' Ext. Water Hose (40V76LR) (1)25' Ext. Gas Hose (40V77LR) (1)Power Cable Coupler (11N19) (1)Water Hose Coupler (11N18) (1)Gas Hose Coupler (11N17) (1)Insulator Sleeve (11N19IS)
EK-2-12	9,17,24FHD Includes:	12.5' Ext. Kit, Air Cooled Vinyl (1)12.5' Ext. Power Cable (57Y01) (1)Gas Hose Coupler (430A) (1)Insulator Sleeve (430AIS)
EK-2-12-R	9,17,24FHD Includes:	12.5' Ext. Kit, Air Cooled Rubber (1)12.5' Ext. Power Cable (57Y01R) (1)Gas Hose Coupler (430A) (1)Insulator Sleeve (430AIS)
EK-2-25	9,17,24FHD Includes:	25' Ext. Kit, Air Cooled Vinyl (1)25' Ext. Power Cable (57Y03) (1)Gas Hose Coupler (430A) (1)Insulator Sleeve (430AIS)
EK-2-25-R	9,17,24FHD Includes:	25' Ext. Kit, Air Cooled Rubber (1)25' Ext. Power Cable (57Y03R) (1)Gas Hose Coupler (430A) (1)Insulator Sleeve (430AIS)
EK-26-25-R	26 Includes:	25' Ext. Kit, Air Cooled Rubber (1)25' Ext. Power Cable (46V30EK) (1)Gas Hose Coupler (11N20) (1)Insulator Sleeve (11N20IS)

EXTENSION KITS (CONT.)

EK-26-25-2	26 Includes:	25' Ext. Kit, Air Cooled Rubber (1)25' Ext. Gas Hose (40V77LR) (1)25' Ext. Power Cable (46V30EK) (1)Power Cable Connector (PCA-2) (1)Rubber Sheath Insulator (RL)
------------	-----------------	---

TIG

KITS & PARTS BY CATEGORY

PART #	TORCHES	DESCRIPTION
EK-A10-25	A10HP	25' Ext. Kit, Air Cooled*
EK-A16-25	A16HP	25' Ext. Kit, Air Cooled
EK-A20-25	A20HP	25' Ext. Kit, Water Cooled*
EK-A35-25	A35HP	25' Ext. Kit, Water Cooled

HOOK-UP KITS

HK-1	18,20,20F,24W,25 Includes:	Hook-Up Kit #1, Water Cooled (1)Power Cable Adapter (45V11) (2)12.5' Water Hoses (40V76) (1)Water Hose Coupler (11N18) (2)Water Adapters (1/4' NPT Male) (1)12.5' Gas Hose (40V77)
HK-2	9,17,24,26,A10,A16 Includes:	Hook-Up Kit #2 For Air Cooled Torches w/ valve (1)12.5' Gas Hose (40V77)
HK-3	9,17,24,26,A10,A16 Includes:	Hook-Up Kit #3, Air Cooled (1)12.5' Gas Hose (40V77) (1)18" Gas Hose (Solenoid to P/C)

NOTE: You Must order the correct power cable adapter

HK-1R	18,20,20F,24W,25 Includes:	Hook-Up Kit #1R, Water Cooled (1)Power Cable Adapter (45V11) (2)12.5' Water Hoses (40V76R) (1)Water Hose Coupler (11N18) (2)Water Adapters (1/4" NPT Male) (1)12.5' Gas Hose (40V77R)
HK-2R	9,17,24,26,A10,A16 Includes:	Hook-Up Kit #2R For Air Cooled Torches w/ valve (1)12.5' Gas Hose (40V77R)
HK-3R	9,17,24,26,A10,A16	Hook-Up Kits #3R, Air Cooled (1)12.5' Gas Hose (40V77R) (1)18" Gas Hose (Solenoid to P/C)

NOTE: You must order the correct power cable adapter

HK-A20	A20HP	Hook-Up Kit A20, Water Cooled (1) Power Cable Adapter (2310-1824) (2)12.5' Water Hoses (40V76) (1)Water Hose Coupler (11N18) (2)Water Adapter Fittings (1/4" NPT) (1)12.5' Gas Hose (40V77)
HK-A35	A35HP	Hook-Up Kit a35, Water Cooled Same as HK-A20, except: Power Cable Adapter (2310-0735)

ACCESSORY KITS

AK-1	9 Includes:	Accessory Kit #1 1 Long Back Cap 2 Collets (.040, 1/16) 2 Collet Bodies (.040, 1/16) 3 Alumina Nozzles (4,5,6) 2 7" Tungsten (.040, 1/16)
AK-1A	9P	Accessory Kit #1A-Same as AK-1 Less Back Cap
AK-2	17	Accessory Kit #3

PART #	TORCHES	DESCRIPTION
		Includes: 1 Short Back Cap 3 Collets (.040, 1/16, 3/32) 3 Collet Bodies (.040, 1/16, 3/32) 3 Alumina Nozzles (4,5,6) 3 7" Tungsten (.040, 1/16, 3/32)
AK-3	18,26 Includes:	Accessory Kit #4 1 Short Back Cap 3 Collets (1/16, 3/32, 1/8) 3 Collet Bodies (1/16, 3/32, 1/8) 3 Alumina Nozzles (5,6,8) 3 7" Tungsten (1/16, 3/32, 1/8)
AK-4	20 Includes:	Accessory Kit #4 1 Long Back Cap 3 Collets (1/16, 3/32, 1/8) 3 Collet Bodies (1/16, 3/32, 1/8) 3 Alumina Nozzles (5, 6, 7) 3 7" Tungsten (1/16, 3/32, 1/8)
AK-4A	20P,25	Accessory Kit #4A-Same as AK-Less Back Cap
AK-5	24 Includes:	Accessory Kit #5 2 Collets (.040, 1/16) 2 Collet Bodies (.040, 1/16) 3 Lava Nozzles (4, 5, 6) 2 7" Tungsten (.040, 1/16)
AK-5F	24HD Includes:	Accessory Kit #5F 2 Collets (1/16, 3/32) 2 Collet Bodies (1/16, 3/32) 3 Lava Nozzles (4, 5, 6) 3 7" Tungsten (.040, 1/16, 3/32)
AK-5W	24W Includes:	Accessory Kit #5W 3 Collets (.040, 1/16, 3/32) 3 Collet Bodies (.040, 1/16, 3/32) 3 Lava Nozzles (4, 5, 6) 3 7" Tungsten (.040, 1/8, 3/32)
AK-7	12 Includes:	Accessory Kit #7 1 Short Back Cap 3 Collets (1/8, 5/32, 3/16) 1 Collet Body (11WP65) 3 Alumina Nozzles (7, 8, 10) 3 7" Tungsten (1/8, 5/32, 3/16)
AK-27	27 Includes:	Accessory Kit #27 3 Collets (3/32, 1/8, 5/32) 3 GL Collet Bodies (3/32, 1/8, 5/32) 5 Alumina Noz. (1-#12, 2-#8, 2-#10) 3 7" Tungsten (3/32, 1/8, 5/32)
2310-1957	A10HP,A20HP Includes:	Accessory Kit #A1020 1 Long Back Cap 1 Short Back Cap 3 Collets (.040, 1/16, 3/32) 4 Alumina Nozzles (2-#4, 2-#5) 1 Nose Transfer Block
2310-1958	A16HP, A35HP Includes:	Accessory Kit #A1635 1 Long Back Cap 1 Short Back Cap 4 Collets (1/16, 3/32, 1/8, 5/32) 4 Alumina Nozzles (2-#6, 2-#10) 1 Nose Transfer Block

TIG

KITS & PARTS BY CATEGORY

PART #	TORCHES	DESCRIPTION
MAK-1S	9,20 Includes:	Master Accessory Kit #1 4 Black Caps (1) Short (2) Med. (1) Long 12 Collets (2) .040 (4) 1/16 (4) 3/32 (2) 1/8 7 Collet Bodies (1) .040 (2) 1/16 (2) 3/32 (2) 1/8 4 Gas Lenses (1) .040 (1) 1/16 (1) 3/32 (1) 1/8 1 Cup Gasket 4 O-Rings for Back Caps 10 Wire Clamps 1 Parts Box
MAK-2S	17,18,26 Includes:	Master Accessory Kit #2 2 Black Caps (1) Short (1) Long 10 Collets (1) .040 (3) 1/16 (3) 3/32 (2) 1/8 (1) 5/32 8 Collet Bodies (1) .040 (2) 1/16 (2) 3/32 (2) 1/8 (1) 5/32 4 Gas Lenses (1) .040 (1) 1/16 (1) 3/32 (1) 1/8 2 Cup Gaskets 1 Gas Lens Insulator 4 O-Rings for Back Caps 1 Parts Box
MAK-A1S	A10HP, A20HP Includes:	Master Accessory Kit #A1 5 Black Caps (1) Short (2) Med. (2) Long 20 Collets (1) .020 (2) .040 (4) 1/16 (5) 3/32 (5) 1/8 (2) 5/32 (1) 3/16 5 Nose Transfer Blocks 4 Nozzle Gaskets 4 O-Rings for Back Caps 1 Parts Box
MAK-A2S	A16HP, A35HP Includes:	Master Accessory Kit #A2 5 Black Caps (1) Short (2) Med. (2) Long 20 Collets (1) .020 (2) .040 (4) 1/16 (5) 3/32 (5) 1/8 (2) 5/32 (1) 3/16 5 Nose Transfer Blocks 4 Nozzle Gaskets 4 O-Rings for Back Caps 1 Parts Box

SWITCH KITS & BOOTS

BL-1	18,20FHD,26,A16HP,A35HP	Rubber Boot for Switches, 1 Hole
BL-1S	18,20FHD,26,A16HP,A35HP	Plastic Snap On Boot for Switches, 1 Hole
BL-2	18,20FHD,26,A16HP,A35HP	Rubber Boot for Switches, 2 Holes
BL-2S	18,20FHD,26,A16HP,A35HP	Plastic Snap On Boot for Switches, 2 Holes
BS-1	9,17,20F,24,25,A10HP,A20HP	Rubber Boot for Switches, 1 Hole
BS-1S	9,17,20F,24,25,A10HP,A20HP	Plastic Snap On Boot for Switches, 1 Hole
BS-2	9,17,20F,24,25,A10HP,A20HP	Rubber Boot for Switches, 2 Hole
BS-2S	9,17,20F,24,25,A10HP,A20HP	Plastic Snap on Boot for Switches, 2 Hole
*SK-11-12	9,17,20F,24,24FHD,90HP,A10HP	Switch Kit, 12.5 Ft. Factory Installed
*SK-11-25	9,17,20F,24,24FHD,90HP,A10HP	Switch Kit, 25 Ft. Factory Installed
*SK-12-12	18,20FHD,26,A16HP,A20HP,A35HP	Switch Kit, 12.5 Ft. Factory Installed
*SK-12-25	18,20FHD,26,A16HP,A20HP,	Switch Kit, 25 Ft. Factory A35HP

PART #	TORCHES	DESCRIPTION
Installed	*SK-21-12	9,17,20F,24,24FHD,90HP, A10HP Switch Kit, 12.5 Ft. Factory Installed
*SK-21-25	9,17,20F,24,24FHD,90HP, A10HP	Switch Kit, 25 Ft. Factory Installed
*SK-22-12	18,20FHD,26,A16HP,A20HP,	Switch Kit, 12.5 Ft. Factory A35HP Installed
*SK-22-25	18,20FHD,26,A16HP,A20HP,	Switch Kit, 25 Ft. Factory A35HP Installed
SW1	ALL	Switch, Bulb
SW1-12	ALL	SW1 w/ 12.5 Ft. Leads
SW1-25	ALL	SW1 w/ 25 Ft. Leads
SW1F	ALL	Switch, Flat
SW1F-12	ALL	SW1F w/ 12.5 Ft. Leads
SW1F-25	ALL	SW1F w/ 25 Ft. Leads
SW2-0	ALL	Switch, On/Off
SW2-12	ALL	SW2 w/ 12.5 Ft. Leads
SW2-25	ALL	SW2 w/ 25 Ft. Leads
SW4-12	ALL	SW4 w/ 12.5 Ft. Leads
SW4-25	ALL	SW4 w/ 25 Ft. Leads
SWC-1	ALL	Cable for Switches

FITTINGS, FERRULES & WIRE CLAMPS

10N18	18,20,20F,24W,27	Power Cable Nut
11N17	18,20,20F	Gas Hose Coupler Ext.
11N18	18,20,20F	Water Coupler Ext.
11N19	18,20,20F	Power Cable Coupler Ext.
11N20	26	Power Cable Coupler
11N22	20,20F	Gas Hose Nippler
11N37	18	Current Nipple, Torch End
11N37R	18	Current Nipple, Torch End
11N38	18	Current Nipple, Adapter End
11N38R	18	Current Nipple, Adapter End
11N83	18,20,20F,24W	Water Hose Nut
136Z08	9,17,18,20,24W	Gas Nut
15T	9,17,18,20,24W	Hose Nipple
15T16	9,17,18,20,24W	15T Hose Nipples & 16T Hose Clamp for Gas & Water Hoses
16T	9,17,18,20,24W	Hose Clamp
17T	20,20F	Nipple
18T	20,20F	Hose Clamp
PCA-2-3	9,17,26	Insulating Boot
PCA-2-4	9,17,26	Couple Adapter
27-10	27	6-32 x 5/16" Binding HeadScrew
27-11	27	#6 Bronze Lock Washer
27-19	27	6-32 x 5/16" Binding Head Screw (Nylon)
35N22		Ext. Kit Hose Nipple
39Z88	24,90HP	Ferrule
39Z89	18	Ferrule
430A	9,17,24FHD	Ext. Kit Coupler
45V05	20,20F,24W,25	Current Nipple, Torch End
45V06	20,20F,24W,25	Current Nipple, Power End
FITTINGS, FERRULES & WIRE CLAMPS (CONT.)		
45V67	26	Current Nipple, Torch End
45V68	26	Current Nipple, Power End

TIG

PART #	TORCHES	DESCRIPTION
53N04	20,20F,24W	Hose Clamp
53N10	20,20F	Nipple
54N98	26	Ferrule
56Y39	24,90HP	Current Nipple
56Y39R	24,90HP	Current Nipple
57Y10	9,17,24F	Current Nipple
57Y10R	9,17,24F	Current Nipple
C17-1	9,17,24F	Cable Connector
C26-1	26	Cable Connector
N17-1	9,17,24F	Gas Nipple
T-62	9,17,24F,26	Copper Lug

BULK HOSE & TUBING

11N19IS	18,20,20F,24W,27	Insulating Sleeve, 1 1/4" I.D. x 6" long
430AIS	9,17	Insulating Sleeve, 7/8" I.D. x 6" long
BRH-1	9,17	Rubber Hose, 1/4" ID x 1/2" OD
BRH-3	26	Rub. Tubing 3/8" ID x 45/64" OD
BRT-1	20,20F	Rub. Tube, Nylon Braid. 9/64" ID x 15/64" OD
BRT-2	18	Rub. Tube, Nylon Braid. 1/8" ID x 1/4" OD
BRT-3	20,20F	Rub. Tube, Nylon Braid. 1/8" ID x 1/4" OD
BRT-4	18	Rub. Tube, Nylon Braid. 3/16" ID x 9/32" OD
BVT-1	20,20F	Vinyl Tube 1/8" ID x 7/32" OD Gas
BVT-2&3	18,20,20F	Vinyl Tube 3/16" ID x 9/32" OD, Gas or Water
BVT-4	18	Vinyl Tube 1/4" ID x 7/16" OD, Water Ext.
BVT-5	9,17,18,24	Vinyl Tube 305 ID x 15/32" OD, P/C
RL	18,26	Rubber Sheath, 1 1/4" ID, Cut to Length
RL-10	18,26	Rubber Sheath, 1 1/4" ID x 10 Ft.
RL-22	18,26	Rubber Sheath, 1 1/4" ID x 22 Ft.
RS	9,17,20,20F,24	Rubber Sheath, 7/8" ID Cut to Length
RS-10	9,17,20,20F,24	Rubber Sheath, 7/8" x 10 Ft.
RS-22	9,17,20,20F,24	Rubber Sheath, 7/8" x 22 Ft.

80 AMP AIR COOLED (SR)

24-60D	Torch, 80 Amp Air Cooled Silicone Rubber
24-90D	Torch, 80 Amp Air Cooled Silicone Rubber
24-12-1	Torch Pkg. 1 pc. 12.5 Ft. Vinyl
24-12-BR	Torch Pkg. 1 pc. 12.5 Ft. Braided (Light Duty)
24-12-R	Torch Pkg. 1 pc. 12.5 Ft. Rubber
24-25-1	Torch Pkg. 1 pc. 25 Ft. Vinyl
24-25-R	Torch Pkg. 1 pc. 25 Ft. Rubber
24V-60D	Torch w/ valve, 80 Amp Air Cooled Silicone Rubber
24V-90D	Torch w/ valve, 80 Amp Air Cooled Silicone Rubber
24V-12-1	Torch Pkg. 1 pc. 12.5 Ft. Vinyl
24V-12-BR	Torch Pkg. 1 pc. 12.5 Ft. Braided (Light Duty)
24V-12-R	Torch Pkg. 1 pc. 12.5 Ft. Rubber
24V-25-1	Torch Pkg. 1 pc. 25 Ft. Vinyl
24V-25-R	Torch Pkg. 1 pc. 25 Ft. Rubber

80 AMP AIR COOLED (HP)

24HP-60D	Torch, 80 Amp Air Cooled Hard Plastic
24HD-90D	Torch, 80 Amp Air Cooled Hard Plastic
24HP-12-1	Torch Pkg. 1 pc. 12.5 Ft. Vinyl
24HP-12-BR	Torch Pkg. 1 pc. 12.5 Ft. Braided (Light Duty)
24HP-12-R	Torch Pkg. 1 pc. 12.5 Ft. Rubber

PART #	TORCHES	DESCRIPTION
24HP-25-1	Torch Pkg. 1 pc. 25 Ft. Vinyl	
24HP-25-R	Torch Pkg. 1 pc. 25 Ft. Rubber	

100 AMP AIR COOLED FLEX

24FHD	Flex Torch, 100 Amp Air Cooled
24FHD-12-1	Torch Pkg. 1 pc. 12.5 Ft. Vinyl
24FHD-12-2	Torch Pkg. 2 pc. 12.5 Ft. Braided
24FHD-12-R	Torch Pkg. 1 pc. 12.5 Ft. Rubber
24FHD-25-1	Torch Pkg. 1 pc. 25 Ft. Vinyl
24FHD-25-2	Torch Pkg. 1 pc. 25 Ft. Braided
24FHD-25-R	Torch Pkg. 1 pc. 25 Ft. Rubber
24FVHD	Flex Torch w/ valve, 100 Amp Air Cooled
24FVHD-12-1	Torch Pkg. 1 pc. 12.5 Ft. Vinyl
24FVHD-12-2	Torch Pkg. 2 pc. 12.5 Ft. Braided
24FVHD-12-R	Torch Pkg. 1 pc. 12.5 Ft. Rubber
24FVHD-25-1	Torch Pkg. 1 pc. 25 Ft. Vinyl
24FVHD-25-2	Torch Pkg. 2 pc. 25 Ft. Braided
24FVHD-25-R	Torch Pkg. 1 pc. 25 Ft. Rubber

100 AMP AIR COOLED (HP)

A10HP	Torch, 100 Amp Hard Plastic (Airco Style)
A10HP-12R	Torch Pkg. 1 pc. 12.5 Ft. Rubber
A10HP-25-R	Torch Pkg. 1 pc. 25 Ft. Rubber
A10HPV	Torch w/ valve, Hard Plastic (Airco Style)
A10HPV-12-R	Torch Pkg. 1 pc. 12.5 Ft. Rubber
A10HPV-25-R	Torch Pkg. 1 pc. 25 Ft. Rubber

110 AMP AIR COOLED (HP)

90HP	Torch, 110 Amp Air Cooled Hard Plastic
90HP-12-1	Torch Pkg. 1 pc. 12.5 Ft. Vinyl
90HP-12-BR	Torch Pkg. 1 pc. 12.5 Ft. Braided (Light Duty)
90HP-12-R	Torch Pkg. 1 pc. 12.5 Ft. Rubber
90HP-25-1	Torch Pkg. 1 pc. 25 Ft. Vinyl
90HP-25-BR	Torch Pkg. 1 pc. 25 Ft. Braided (Light Duty)
90HP-25-R	Torch Pkg. 1 pc. 25 Ft. Rubber

125 AMP AIR COOLED (SR)

9	Torch, 124 Amp Air Cooled Silicone Rubber
9-12-1	Torch Pkg. 1 pc. 12.5 Ft. Vinyl
9-12-2	Torch Pkg. 2 pc. 12.5 Ft. Braided
9-12-BR	Torch Pkg. 1 pc. 12.5 Ft. Braided (Light Duty)
9-12-R	Torch Pkg. 1 pc. 12.5 Ft. Rubber
9-25-1	Torch Pkg. 1 pc. 25 Ft. Vinyl
9-25-2	Torch Pkg. 2 pc. 25 Ft. Braided
9-25-R	Torch Pkg. 1 pc. 25 Ft. Rubber
9V	Torch w/ valve, 125 Amp Air Cooled Silicone Rubber
9V-12-1	Torch Pkg. 1 pc. 12.5 Ft. Vinyl
9V-12-2	Torch Pkg. 2 pc. 12.5 Ft. Braided
9V-12-BR	Torch Pkg. 1 pc. 12.5 Ft. Braided (Light Duty)
9V-12-R	Torch Pkg. 1 pc. 12.5 Ft. Rubber
9V-25-1	Torch Pkg. 1 pc. 25 Ft. Vinyl
9V-25-2	Torch Pkg. 2 pc. 25 Ft. Braided
9V-25-R	Torch Pkg. 1 pc. 25 Ft. Rubber

AIR COOLED TORCH PACKAGES

PART #	TORCHES	DESCRIPTION
9VB	Torch w/ valve in body, 125 Amp Air Cooled	
9VB-12-1	Torch Pkg. 1 pc. 12.5 Ft. Vinyl	
9VB-12-2	Torch Pkg. 2 pc. 12.5 Ft. Braided	
9VB-12-BR	Torch Pkg. 1 pc. 12.5 Ft. Braided (Light Duty)	
9VB-12-R	Torch Pkg. 1 pc. 12.5 Ft. Rubber	

9VB-25-1	Torch Pkg. 1 pc. 25 Ft. Vinyl	
9VB-25-2	Torch Pkg. 2 pc. 25 Ft. Braided	
9VB-25-R	Torch Pkg. 1 pc. 12.5 Ft. Rubber	

125 AMP AIR COOLED FLEX

9F	Flex Torch, 125 Amp Air Cooled	
9F-12-1	Torch Pkg. 1 pc. 12.5 Ft. Vinyl	
9F-12-2	Torch Pkg. 2 pc. 12.5 Ft. Braided	
9F-12-BR	Torch Pkg. 1 pc. 12.5 Ft. Braided (Light Duty)	
9F-12-R	Torch Pkg. 1 pc. 12.5 Ft. Rubber	

9F-25-1	Torch Pkg. 1 pc. 25 Ft. Vinyl	
9F-25-2	Torch Pkg. 2 pc. 25 Ft. Braided	
9F-25-R	Torch Pkg. 1 pc. 25 Ft. Rubber	

9FV	Flex Torch w/ vlave, 125 Amp Air Cooled	
9FV-12-1	Torch Pkg. 1 pc. 12.5 Ft. Vinyl	
9FV-12-2	Torch Pkg. 2 pc. 12.5 Ft. Braided	
9FV-12-BR	Torch Pkg. 1 pc. 12.5 Ft. Braided (Light Duty)	
9FV-12-R	Torch Pkg. 1 pc. 12.5 Ft. Rubber	

9FV-25-1	Torch Pkg. 1 pc. 25 Ft. Vinyl	
9FV-25-2	Torch Pkg. 2 pc. 25 Ft. Braided	
9FV-25-R	Torch Pkg. 1 pc. 25 Ft. Rubber	
9FVB	Flex Torch w/ valve in body, 125 Amp Air Cooled	
9FVB-12-1	Torch Pkg. 1 pc. 12.5 Ft. Vinyl	
9FVB-12-2	Torch Pkg. 2 pc. 12.5 Ft. Braided	
9FVB-12-BR	Torch Pkg. 1 pc. 12.5 Ft. Braided (Light Duty)	
9FVB-12-R	Torch Pkg. 1 pc. 12.5 Ft. Rubber	
9FVB-25-1	Torch Pkg. 1 pc. 25 Ft. Vinyl	
9FVB-25-2	Torch Pkg. 2 pc. 25 Ft. Braided	
9FVB-25-R	Torch Pkg. 1 pc. 25 Ft. Rubber	

125 AMP AIR COOLED (HP)

9HP	Torch, 125 Amp Air Cooled Hard Plastic	
9HP-12-1	Torch Pkg. 1 pc. 12.5 Ft. Vinyl	
9HP-12-2	Torch Pkg. 2 pc. 12.5 Ft. Braided	
9HP-12-BR	Torch Pkg. 1 pc. 12.5 Ft. Braided (Light Duty)	
9HP-12-R	Torch Pkg. 1 pc. 12.5 Ft. Rubber	

9HP-25-1	Torch Pkg. 1 pc. 25 Ft. Vinyl	
9HP-25-2	Torch Pkg. 2 pc. 25 Ft. Braided	
9HP-25-R	Torch Pkg. 1 pc. 25 Ft. Rubber	

125 AMP AIR COOLED PENCIL (SR)

9P	Torch 180 degrees, 125 Amp Air Cooled	
9P-12-1	Torch Pkg. 1 pc. 12.5 Ft. Vinyl	
9P-12-2	Torch Pkg. 2 pc. 12.5 Ft. Braided	
9P-12-BR	Torch Pkg. 1 pc. 12.5 Ft. Braided (Light Duty)	
9P-12-R	Torch Pkg. 1 pc. 12.5 Ft. Rubber	

PART #	TORCHES	DESCRIPTION
9P-25-1	Torch Pkg. 1 pc. 25 Ft. Vinyl	
9P-25-2	Torch Pkg. 2 pc. 25 Ft. Braided	
9P-25-R	Torch Pkg. 1 pc. 25 Ft. Rubber	

150 AMP AIR COOLED (SR)

17	Torch, 150 Amp Air Cooled Silicone Rubber	
17-12-1	Torch Pkg. 1 pc. 12.5 Ft. Vinyl	
17-12-2	Torch Pkg. 2 pc. 12.5 Ft. Braided	
17-12-R	Torch Pkg. 1 pc. 12.5 Ft. Rubber	
17-25-1	Torch Pkg. 1 pc. 25 Ft. Vinyl	
17-25-2	Torch Pkg. 2 pc. 25 Ft. Braided	
17-25-R	Torch Pkg. 1 pc. 25 Ft. Rubber	

17V	Torch Pkg. 1 pc. 12.5 Ft. Vinyl	
17V-12-1	Torch Pkg. 2 pc. 12.5 Ft. Braided	
17V-12-2	Torch Pkg. 1 pc. 12.5 Ft. Rubber	

17V-25-1	Torch Pkg. 1 pc. 25 Ft. Vinyl	
17V-25-2	Torch Pkg. 2 pc. 25 Ft. Braided	
17V-25-R	Torch Pkg. 1 pc. 25 Ft. Rubber	

150 AMP AIR COOLED FLEX

17F	Flex Torch, 150 Amp Air Cooled	
17F-12-1	Torch Pkg. 1 pc. 12.5 Ft. Vinyl	
17F-12-2	Torch Pkg. 2 pc. 12.5 Ft. Braided	
17F-12-R	Torch Pkg. 1 pc. 12.5 Ft. Rubber	

17F-25-1	Torch Pkg. 1 pc. 25 Ft. Vinyl	
17F-25-2	Torch Pkg. 2 pc. 25 Ft. Braided	
17F-25-R	Torch Pkg. 1 pc. 25 Ft. Rubber	

17FV	Flex Torch w/ valve, 150 Amp Air Cooled	
17FV-12-1	Torch Pkg. 1 pc. 12.5 Ft. Vinyl	
17FV-12-2	Torch Pkg. 2 pc. 12.5 Ft. Braided	
17FV-12-R	Torch Pkg. 1 pc. 12.5 Ft. Rubber	

17FV-25-1	Torch Pkg. 1 pc. 25 Ft. Vinyl	
17FV-25-2	Torch Pkg. 2 pc. 25 Ft. Braided	
17FV-25-R	Torch Pkg. 1 pc. 25 Ft. Rubber	

17FVB	Flex Torch w/ valve in body, 150 Amp Air Cooled	
17FVB-12-1	Torch Pkg. 1 pc. 12.5 Ft. Vinyl	
17FVB-12-2	Torch Pkg. 2 pc. 12.5 Ft. Braided	
17FVB-12-R	Torch Pkg. 1 pc. 12.5 Ft. Rubber	

17FVB-25-1	Torch Pkg. 1 pc. 25 Ft. Vinyl	
17FVB-25-2	Torch Pkg. 2 pc. 25 Ft. Braided	
17FVB-25-R	Torch Pkg. 1 pc. 25 Ft. Rubber	

150 AMP AIR COOLED (HP)

17HP	Torch, 150 Amp Air Cooled Hard Plastic	
17HP-12-1	Torch Pkg. 1 pc. 12.5 Ft. Vinyl	
17HP-12-2	Torch Pkg. 2 pc. 12.5 Ft. Braided	
17HP-12-R	Torch Pkg. 1 pc. 12.5 Ft. Rubber	

TIG

AIR & WATER COOLED TORCH PACKAGES

PART #	TORCHES	DESCRIPTION
17HP-25-1	Torch Pkg. 1 pc. 25 Ft. Vinyl	
17HP-25-2	Torch Pkg. 2 pc. 25 Ft. Braided	
17HP-25-R	Torch Pkg. 1 pc. 25 Ft. Rubber	
17HPV	Torch w/ valve, 150 Amp Air Cooled Hard Plastic	
17HPV-12-1	Torch Pkg. 1 pc. 12.5 Ft. Vinyl	
17HPV-12-2	Torch Pkg. 2 pc. 12.5 Ft. Braided	
17HPV-12-R	Torch Pkg. 1 pc. 12.5 Ft. Rubber	
17HPV-25-1	Torch Pkg. 1 pc. 25 Ft. Vinyl	
17HPV-25-2	Torch Pkg. 2 pc. 25 Ft. Braided	
17HPV-25-R	Torch Pkg. 1 pc. 25 Ft. Rubber	

160 AMP AIR COOLED FLEX

A16F	Flex Torch, 160 Amp Air Cooled (Airco Style)	
A16F-12-R	Torch Pkg. 1 pc. 12.5 Ft. Rubber	
A16F-25-R	Torch Pkg. 1 pc. 25 Ft. Rubber	
A16FV	Flex Torch w/ valve, 160 Amp (Airco Style)	
A16FV-12-R	Torch Pkg. 1 pc. 12.5 Ft. Rubber	
A16FV-25-R	Torch Pkg. 1 pc. 25 Ft. Rubber	

160 AMP AIR COOLED (HP)

A16HP	Torch, Hard Plastic 160 Amp Air Cooled (AircoStyle)	
A16HP-12-R	Torch Pkg. 1 pc. 12.5 Ft. Rubber	
A16HP-25-R	Torch Pkg. 1 pc. 25 Ft. Rubber	
A16HPV	Torch w/ valve, Hard Plastic 160 Amp (Airco Style)	
A16HPV-12-R	Torch Pkg. 1 pc. 12.5 Ft. Rubber	
A16HPV-25-R	Torch Pkg. 1 pc. 25 Ft. Rubber	

200 AMP AIR COOLED (SR)

26	Torch, 200 Amp Air Cooled Silicone Rubber	
26-12-1	Torch Pkg. 1 pc. 12.5 Ft. Vinyl	
26-12-2	Torch Pkg. 2 pc. 12.5 Ft. Braided	
26-12-R	Torch Pkg. 1 pc. 12.5 Ft. Rubber	
26-25-1	Torch Pkg. 1 pc. 25 Ft. Vinyl	
26-25-2	Torch Pkg. 2 pc. 25 Ft. Braided	
26-25-R	Torch Pkg. 1 pc. 25 Ft. Rubber	
26V	Torch w/ valve, 200 Amp Air Cooled Silicone Rubber	
26V-12-1	Torch Pkg. 1 pc. 12.5 Ft. Vinyl	
26V-12-2	Torch Pkg. 2 pc. 12.5 Ft. Braided	
26V-12-R	Torch Pkg. 1 pc. 12.5 Ft. Rubber	
26V-25-1	Torch Pkg. 1 pc. 25 Ft. Vinyl	
26V-25-2	Torch Pkg. 2 pc. 25 Ft. Braided	
26V-25-R	Torch Pkg. 1 pc. 25 Ft. Rubber	

200 AMP AIR COOLED FLEX

26F	Flex Torch, 200 Amp Air Cooled	
26F-12-1	Torch Pkg. 1 pc. 12.5 Ft. Vinyl	
26F-12-2	Torch Pkg. 2 pc. 12.5 Ft. Braided	
26F-12-R	Torch Pkg. 1 pc. 12.5 Ft. Rubber	
26F-25-1	Torch Pkg. 1 pc. 25 Ft. Vinyl	
26F-25-2	Torch Pkg. 2 pc. 25 Ft. Braided	

PART #	TORCHES	DESCRIPTION
26F-25-R	Torch Pkg. 1 pc. 25 Ft. Rubber	
26FV	Flex Torch w/ valve, 200 Amp Air Cooled	
26FV-12-1	Torch Pkg. 1 pc. 12.5 Ft. Vinyl	
26FV-12-2	Torch Pkg. 2 pc. 12.5 Ft. Braided	
26FV-12-R	Torch Pkg. 1 pc. 12.5 Ft. Rubber	
26FV-25-1	Torch Pkg. 1 pc. 25 Ft. Vinyl	
26FV-25-2	Torch Pkg. 2 pc. 25 Ft. Braided	
26FV-25-R	Torch Pkg. 1 pc. 25 Ft. Rubber	
26FVB	Torch, 200A A-C Flex w/ Valve in Body	
26FVB-12-1	Torch Pkg. 1 pc. 12.5 Ft. Vinyl	
26FVB-12-2	Torch Pkg. 2 pc. 12.5 Ft. Braided	
26FVB-12-R	Torch Pkg. 1 pc. 12.5 Ft. Rubber	
26FVB-25-1	Torch Pkg. 1 pc. 25 Ft. Vinyl	
26FVB-25-2	Torch Pkg. 2 pc. 25 Ft. Braided	
26FVB-25-R	Torch Pkg. 1 pc. 25 Ft. Rubber	

Torch Pkg. Incl: Handle, Power Cable, Insulator, Long Back Cap

200 AMP AIR COOLED (HP)

26HP	Torch, 200 Amp Air Cooled Hard Plastic	
26HP-12-1	Torch Pkg. 1 pc. 12.5 Ft. Vinyl	
26HP-12-2	Torch Pkg. 2 pc. 12.5 Ft. Braided	
26HP-12-R	Torch Pkg. 1 pc. 12.5 Ft. Rubber	
26HP-25-1	Torch Pkg. 1 pc. 25 Ft. Vinyl	
26HP-25-2	Torch Pkg. 2 pc. 25 Ft. Braided	
26HP-25-R	Torch Pkg. 1 pc. 25 Ft. Rubber	
26HPV	Torch w/ valve, 200 Amp Air Cooled	
26HPV-12-1	Torch Pkg. 1 pc. 12.5 Ft. Vinyl	
26HPV-12-2	Torch Pkg. 2 pc. 12.5 Ft. Braided	
26HPV-12-R	Torch Pkg. 1 pc. 12.5 Ft. Rubber	
26HPV-25-1	Torch Pkg. 1 pc. 25 Ft. Vinyl	
26HPV-25-2	Torch Pkg. 2 pc. 25 Ft. Braided	
26HPV-25-R	Torch Pkg. 1 pc. 25 Ft. Rubber	

180 AMP WATER COOLED (SR)

24W-60D	Torch, 180 Amp Water Cooled Silicone Rubber	
24W-90D	Torch, 180 Amp Water Cooled Silicone Rubber	
24W-12	Torch Pkg. 12.5 Ft. Vinyl	
24W-12-R	Torch Pkg. 12.5 Ft. Braided	
24W-25	Torch Pkg. 25 Ft. Vinyl	
24W-25-R	Torch Pkg. 25 Ft. Braided	

Torch Pkg. Incl: Handle, Power Cable, Water/Gas Hoses, and Insulator

200 AMP WATER COOLED (HP)

A20HP	Torch, 200 Amp Water Cooled (Airco Style). HP	
A20HP-12-R	Torch Pkg. 12.5 Ft. Rubber	
A20HP-25-R	Torch Pkg. 25 Ft. Rubber	

Torch Pkg. Incl: Handle, Power Cable, Water/Gas Hoses, and Insulator



AIR & WATER COOLED TORCH PACKAGES

PART # TORCHES DESCRIPTION
200 AMP AIR WATER COOLED PENCIL TORCH (FLEX)

25	Torch, 180 Degrees, 200 Amp Water Cooled Flex
25-12	Torch Pkg. 12.5 Ft. Vinyl
25-12-R	Torch Pkg. 12.5 Ft. Rubber
25-25	Torch Pkg. 25 Ft. Vinyl
25-25-R	Torch Pkg. 25 Ft. Rubber
Torch Pkg. Includes: Handle, Power Cable, Water/Gas Hoses and Insulator	

250 AMP WATER COOLED (SR)

20	Torch, 250 Amp Water Cooled Silicone Rubber
20-12	Torch Pkg. 12.5 Ft. Vinyl
20-12-R	Torch Pkg. 12.5 Ft. Braided
20-25	Torch Pkg. 25 Ft. Vinyl
20-25-R	Torch Pkg. 25 Ft. Braided
Torch Pkg. Includes: Handle, Power Cable, Water/Gas Hoses, Insulator, Medium Back Cap	

250 AMP WATER COOLED FLEX

20F	Flex Torch, 250 Amp Water Cooled
20F-12	Torch Pkg. 12.5 Ft. Vinyl
20F-12-R	Torch Pkg. 12.5 Ft. Rubber
20F-25	Torch Pkg. 25 Ft. Vinyl
20F-25-R	Torch Pkg. 25 Ft. Rubber
Torch Pkg. Includes: Handle, Power Cable, Water/Gas Hoses, Insulator, Medium Back Cap	

250 AMP WATER COOLED (HP)

20HP	Torch, 250 Amp Water Cooled Hard Plastic
20HP-12	Torch Pkg. 12.5 Ft. Vinyl
20HP-12-R	Torch Pkg. 12.5 Ft. Braided
20HP-25	Torch Pkg. 25 Ft. Vinyl
20HP-25-R	Torch Pkg. 25 Ft. Braided
Torch Pkg. Includes: Handle, Power Cable, Water/Gas Hoses, Insulator, Medium Back Cap	

250 AMP WATER COOLED PENCIL TORCH (SR)

25P	Torch 180 Degrees, 250 Amp Water Cooled
25P-12	Torch Pkg. 12.5 Ft. Vinyl
25P-12-R	Torch Pkg. 12.5 Ft. Braided
25P-25	Torch Pkg. 25 Ft. Vinyl
25P-25-R	Torch Pkg. 25 Ft. Braided
Torch Pkg. Includes: Handle, Power Cable, Water/Gas Hoses, Insulator, Medium Back Cap	

250 AMP WATER COOLED (HP)

22A	Torch, 250A Water Cooled - 7"
22A-3	Torch Pkg. 3 Ft.
22A-12	Torch Pkg. 12.5 Ft. Rubber
22A-25	Torch Pkg. 25 Ft. Rubber
22B	Torch, 250A Water Cooled - 3"
22B-3	Torch Pkg. 3 Ft.
22B-12	Torch Pkg. 12.5 Ft. Rubber
22B-25	Torch Pkg. 25 Ft. Rubber

300 AMP WATER COOLED (SR)

20HD	Torch, 300A Water Cooled Silicone Rubber
20HD-12	Torch Pkg. 12.5 Ft. Braided
20HD-25	Torch Pkg. 25 Ft. Braided
Torch Pkg. Includes: Handle, Power Cable, Water/Gas Hoses, Insulator, Medium Back Cap	

PART # TORCHES DESCRIPTION
350 AMP WATER COOLED FLEX

20FHD	Torch, 350A Water Cooled Silicone Rubber
20FHD-12	Torch Pkg. 12.5 Ft. Braided
20FHD-25	Torch Pkg. 25 Ft. Braided
Torch Pkg. Includes: Handle, Power Cable, Water/Gas Hoses, Insulator, Medium Back Cap	

350 AMP WATER COOLED (HP)

18HP	Torch, 350 Amp Water Cooled Hard Plastic
18HP-12	Torch Pkg. 12.5 Ft. Vinyl
18HP-12-R	Torch Pkg. 12.5 Ft. Braided
18HP-25	Torch Pkg. 25 Ft. Vinyl
18HP-25-R	Torch Pkg. 25 Ft. Braided

A35HP	Torch, 350 Amp Water Cooled (Airco Style) HP
A35HP-12-R	Torch Pkg. 12.5 Ft. Rubber
A35HP-25-R	Torch Pkg. 25 Ft. Rubber
Torch Pkg. Includes: Handle, Power Cable, Water/Gas Hoses, Insulator, Medium Back Cap	

350 AMP WATER COOLED (SR)

18	Torch, 350 Amp Water Cooled Silicon Rubber
18-12	Torch Pkg. 12.5 Ft. Vinyl
18-12-R	Torch Pkg. 12.5 Ft. Braided
18-25	Torch Pkg. 25 Ft. Vinyl
18-25-R	Torch Pkg. 25 Ft. Braided

18V	Torch w/ valve, 350 Amp Water Cooled
18V-12	Torch Pkg. 12.5 Ft. Vinyl
18V-12-R	Torch Pkg. 12.5 Ft. Braided
18V-25	Torch Pkg. 25 Ft. Vinyl
18V-25-R	Torch Pkg. 25 Ft. Braided
Torch Pkg. Incl: Handle, Power Cable, Water/Gas Hoses, Insulator, and Long Back Cap	

500 AMP WATER COOLED (SR)

12	Torch, 500A Water Cooled
12-12	Torch Pkg. 12.5 Ft. Rubber
12-25	Torch Pkg. 25 Ft. Rubber

500 AMP WATER COOLED PENCIL TORCH (SR)

18P	Torch 180 Degrees, 500 Amp Water Cooled
18P-12	Torch Pkg. 12.5 Ft. Rubber
18P-25	Torch Pkg. 25 Ft. Rubber
Torch Pkg. Incl: Barrel, Power Cable, Water/Gas Hoses and Insulator	

500 AMP WATER COOLED MACHINE TORCH

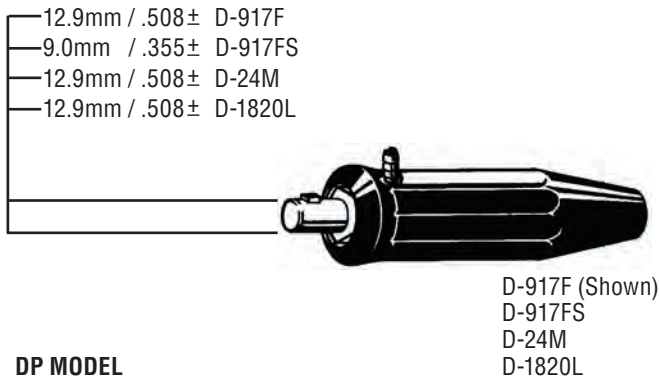
27A	Torch 9" - 180 Degrees, 500 Amp Water Cooled
27A-3	Torch Pkg. 3 Ft. Rubber w/ Bracket Assembly
27A-12	Torch Pkg. 12.5 Ft. Rubber
27A-25	Torch Pkg. 25 Ft. Rubber

27B	Torch 20" - 180 Degrees, 500 Amp Water Cooled
27B-3	Torch Pkg. 3 Ft. Rubber w/ Bracket Assembly
27B-12	Torch Pkg. 12.5 Ft. Rubber
27B-25	Torch Pkg. 25 Ft. Rubber
Torch Pkg. Incl: Shaft Assembly, Barrel & Boot	

TIG

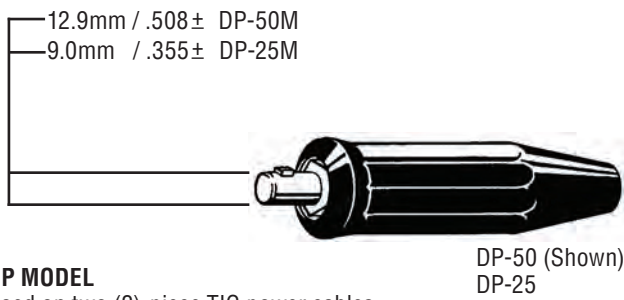
INTERNATIONAL DINSE MACHINE PLUGS

These Dinse international style connectors are used to connect U.S. standard style power cables to today's new power sources equipped with a Dinse receptacle. Dinse Plugs are sold with or without auxiliary gas water hoses.



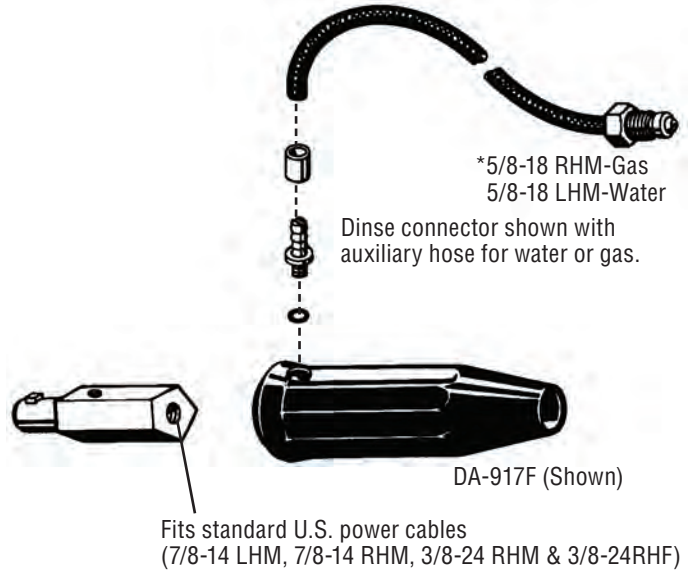
DP MODEL

Screws onto standard TIG power cable



DP MODEL

Used on two (2)-piece TIG power cables



DA MODEL

Screws onto standard TIG power cables. The DA model comes equipped with auxiliary water or gas hose.

*Auxiliary hose also available with 3/8" BSP 1/4" BSP, 1/8" BSP, 14MM x 1" & 12MM x 1" female fittings

Part #	Torches	Description
D-1820L DA-1820L-5/8-18LHM	18,20,24W,25,27 18,20,24W,25,27	Dinse machine plug - fits standard power cable (7/8-14 LH) Dinse machine plug with 18" auxiliary hose w/ 5/8-18LH Malefittings. Fits standard power cable (7/8-14 LH)
D-26R DA-26R-5/8-18RHM	26 26	Dinse machine plug - fits standard power cable (7/8-14 RH) Dinse Machine plug with 18" auxiliary gas hose with 5/8-18RH Malefittings. Fits standard power cable (7/8-14 RH)
D-917F DA-917F-5/8-18RHM	9,17,24FHD 9,17,24FHD	Dinse machine plug - fits standard power cable (3/8-24 RHM) Dinse Machine plug with 18" auxiliary gas hose with 5/8-18RH Malefittings. Fits standard power cable (3/8-24 RHF)
D-24M DA-24M-5/8-18RHM	24 24	Dinse machine plug - fits standard power cable (3/8-24 RHF) Dinse Machine plug with 18" auxiliary gas hose with 5/8-18RH Malefittings. Fits standard power cable (3/8-24 RHF)
D-917FS DA-917FS-5/8-18RHM	9,17,24FHD 9,17,24FHD	Dinse machine plug - fits standard power cable (3/8-24 RHM) Dinse Machine plug with 18" auxiliary gas hose with 5/8-18RH Malefittings. Fits standard power cable (3/8-24 RHM)
DP-25M DP-50M	9,17,24FHD,26 9,17,24FHD,26	International Dinse type machine plug. Fits No. 8 thru 4 (10-25mm) International Dinse type machine plug. Fits No. 4 thru 1/0 (25-50mm)

TIG TOTE KITS

TIGTOTE . . . This handy organizer has a place for extra nozzles, collets, and more. Comes complete with cradle to hold your torch when not in use. Strong magnets are built into the TIGTOTE to hold it firmly in place on your welding machine.



TIGTOTE KIT - Part # TM-17-18-26

- 1 Medium Back Cap (300M)
- 3 Alumina Nozzles (10N47, 10N48 & 10N49)
- 6 Collets (10N21, 10N22, 10N23, 10N24, 10N25, 54N20)
- 6 Collet Bodies (10N28, 10N29, 10N30, 10N31, 10N32 & 406488)
- 6 2% Thoriated Tungsten (.020, .040, 1/16, 3/32, 1/8, 5/32)
- 6 Pure Tungsten (.020, .040, 1/16, 3/32, 1/8, 5/32)

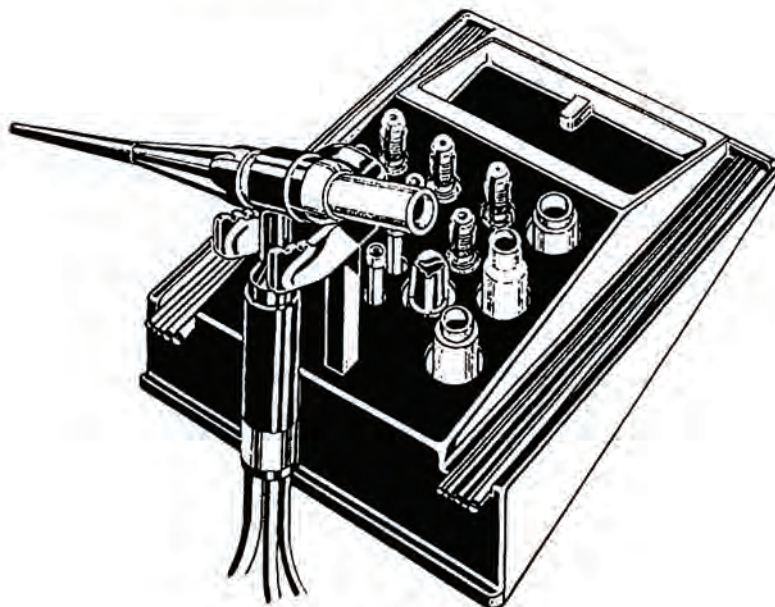
TIGTOTE KIT - Part # TM-9-20

- 1 Long Back Cap (41V24)
- 3 Alumina Nozzles (13N08, 13N09 & 13N10)
- 6 Collets (13N20, 13N21, 13N22, (2)13N23, 13N24)
- 6 Collet Bodies (13N25, 13N26, 13N27, (2) 13N28, 13N29)
- 6 2% Thoriated Tungsten (.020, .040, 1/16, (2) 3/32, 1/8)
- 6 Pure Tungsten (.020, .040, 1/16, (2) 3/32, 1/8)

TIGTOTE KIT - Part # TM-24

- 3 Lava Nozzles (53N24, 53N25, & 53N27)
- 6 Collets (53N15, (2) 53N14, 53N16, & (2) 24C332)
- 6 Collet Bodies (53N27, 53N18, (2) 53N19, & (2) 24CB332)
- 6 2% Thoriated Tungsten (.020, .040, (2) 1/16, (2) 3/32)
- 6 Pure Tungsten (.020, .040, (2) 1/16, (2) 3/32)

TIGTOTE - PART #TM-1 PORTABLE HOLDER for TIG Torch & Accessories



NEW ITEM - STARTER KITS

NEW STARTER KITS. . . American Torch Tip introduces the perfect way to order a complete torch package assembly - STARTER KITS! Each Starter kit contains the following items to get you up and set to weld.

1. Complete Torch Package assembly
2. Power Cable adapter
3. Accessory kit
4. Hook-up kit
5. Ground cable (1/0) with clamp

Order today and begin welding tomorrow. Simply add an “S” to the appropriate torch package and you are set to weld. Example: 17-25-R becomes an S17-25-R. For a list of torch packages that are available with the starter kits, please call customer service for more information.

TYPE	COLOR	SIZE	DESCRIPTION
------	-------	------	-------------

2% Thoriated	Red	.020 x 7"
	Red	.040 x 7"
	Red	1/16 x 7"
	Red	3/32x 7"
	Red	1/8 x 7"
	Red	5/32 x 7"

2% Thoriated tungsten contain a nominal 2 wt-% of thorium oxide (ThO₂) that is evenly dispersed throughout the entire length of the tungsten. The most common type of electrode used today. Provides excellent resistance from weld pool contamination while at the same time offers the welder easier arc starting capabilities and a more stable arc. Generally used for DC electrode negative or straight polarity applications such as carbon & stainless steels, nickel alloys and titanium.

Pure	Green	.020 x 7"
	Green	.040 x 7"
	Green	1/16 x 7"
	Green	3/32x 7"
	Green	1/8 x 7"
	Green	5/32 x 7"

Pure tungsten contain a minimum of 99.5 wt-% tungsten with no other alloying elements. This allows the tip to form a clean, balled end which provides good stability on AC. Pure can be used with DC but does not compare with thoriated or ceriated as far as ease of arc starting. More susceptible to weld contaminations than thoriated, ceriated or lanthanated. Usually the least expensive of all tungsten, pure tungsten is generally used in the welding of aluminum and magnesium alloys (AC)

2% Ceriated	Orange	.020 x 7"
	Orange	.040 x 7"
	Orange	1/16 x 7"
	Orange	3/32x 7"
	Orange	1/8 x 7"
	Orange	5/32 x 7"

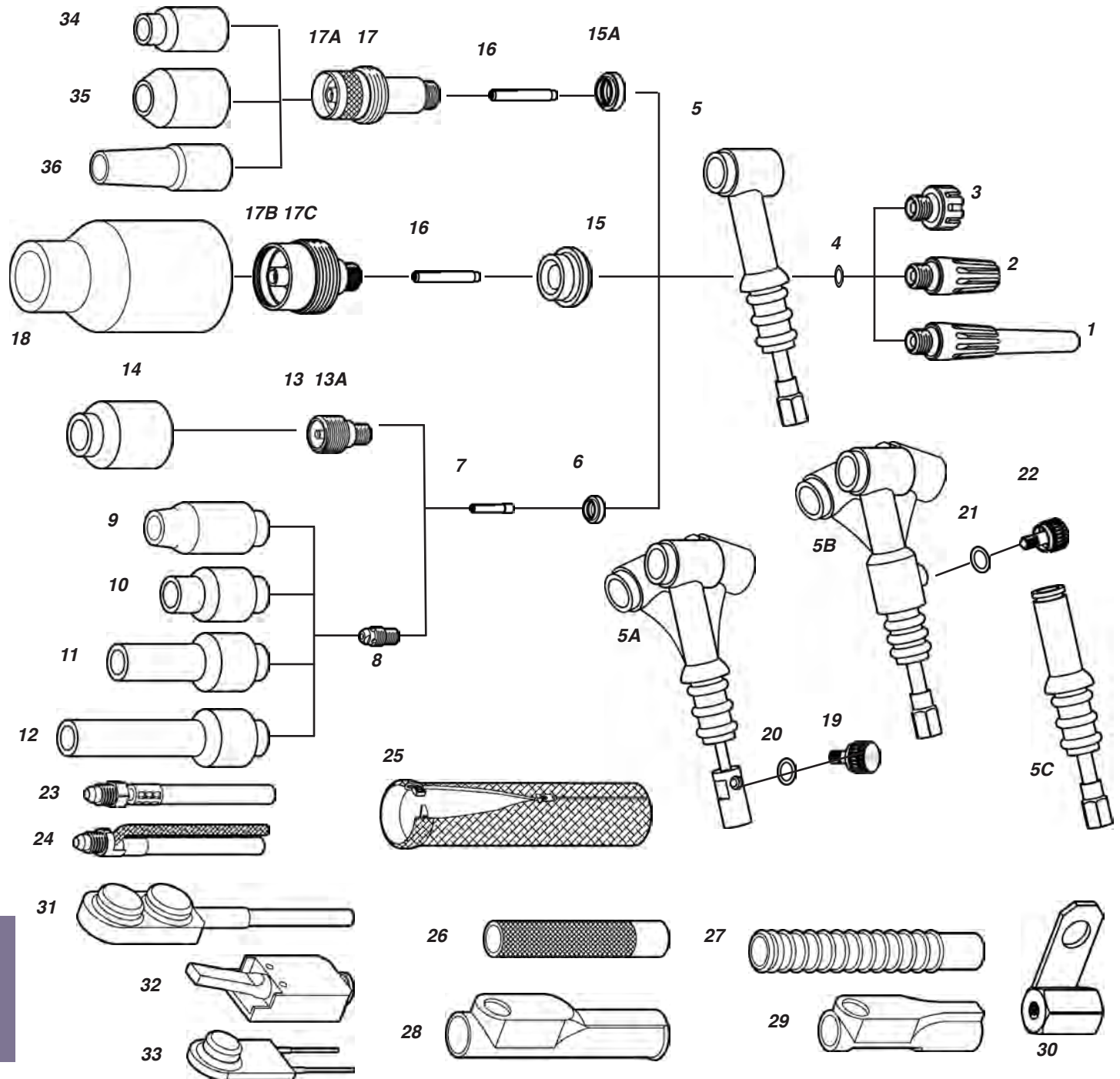
2% ceriated tungsten contains a nominal 2 wt-% of cerium oxide (CeO₂). Ceriated is different from the thoriated as it is not radioactive material. Also, the ceriated tungsten tends to last longer than thoriated and can be used proficiently with AC or DC. In manual applications the ceriated tungsten will provide slightly different electrical characteristics, than the thoriated tungsten but generally no difference will be seen by the operator. Generally used to weld carbon & stainless steels, nickel alloys and titanium.

1.5% Lanthanated	Gold	.020 x 7"
	Goldk	.040 x 7"
	Gold	1/16 x 7"
	Gold	3/32x 7"
	Gold	1/8 x 7"
	Gold	5/32 x 7"

2% lanthanated or "rare earth" tungsten contain a nominal 2 wt-% lanthanum oxide (LaO₃). This type of tungsten is very similar to ceriated as it too is a non radioactive material. Lanthanated electrodes operate at slightly different arc voltages than thoriated or ceriated electrodes. Were developed around the same time as ceriated tungsten to help combat the increasing awareness of the radioactivity of thoriated tungsten. Generally used to weld carbon & stainless steels, nickel alloys and titanium.

20

9, 9HP, V, VB, F, FV, FVB, & P 125 AMP AIR-COOLED



TIG

ACCESSORY KITS

Accessory Kit	AK-1
Master Accessory Kit	MAK-1S

EXTENSION KITS

12.5 Ft. Air Cooled Vinyl	EK-2-12
12.5 Ft. Air Cooled Rubber	EK-2-12-R
25 Ft. Air Cooled Vinyl	EK-2-25
25 Ft. Air Cooled Rubber	EK-2-25-R

HOOK-UP KITS

12.5 Ft. Air Cooled Vinyl	HK-2
12.5 Ft. Air Cooled Vinyl	HK-3
12.5 Ft. Air Cooled Rubber	HK-2R
12.5 Ft. Air Cooled Rubber	HK-3R

BASIC TORCH SPECIFICATIONS

BASIC TORCH SPECIFICATIONS	9, 9V, 9VB, 9F, 9FVB, 9HP	9P
CAPACITY:	125 Amp	125 Amp
ELECTRODE RANGE:	.020-3/32" (.5-2.4mm)	.020-3/32" (.5-2.4mm)
BODY LENGTH:	6-15/16" (176mm)	6-5/8" (168mm)
HEAD LENGTH:		
w/short back cap:	2-1/4" (32mm)	
w/med. back cap:	2-7/16" (62mm)	
w/long back cap:	6-1/4" (159mm)	
HEAD ANGLE:	60 degrees and Flex	180 degrees
HEAD DIAMETER:	3/4" (19mm)	11/16" (17mm)
WEIGHT:	3.0 oz. (84gm)	2.2 oz. (62gm)

LEGEND F=Flex Torch FV=Flex Torch w/valve in handle FVB=Flex Torch w/valve in body
 HP=Hard Plastic torch P=Pencil (180 degrees) V=Torch w/ Valve VB=Torch w/valve in body

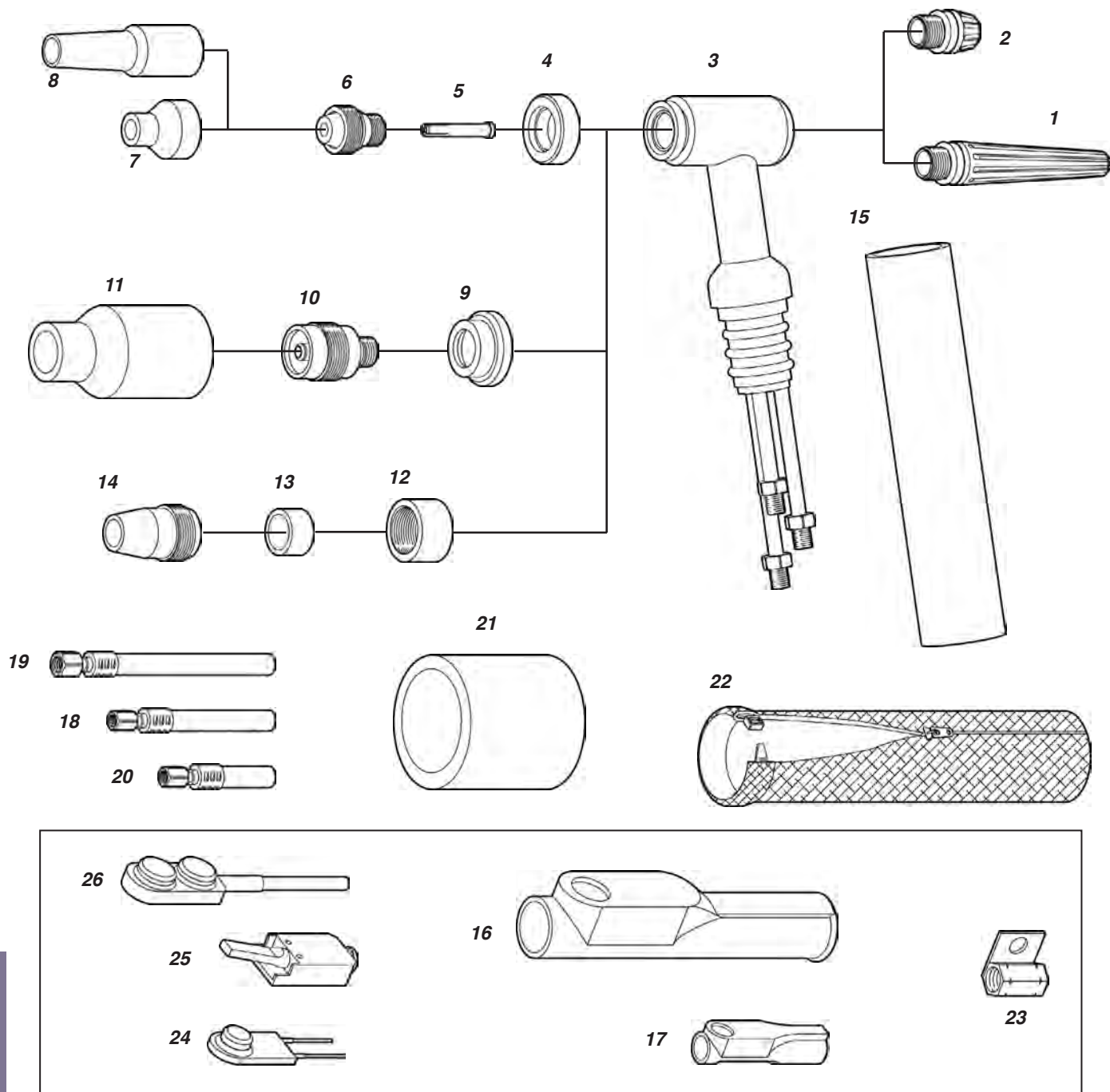
KEY	DESCRIPTION	PART NUMBERS					
ELECTRODE DIAMETER		.020"	.040"	1/16"	3/32"	1/8"	
		0.5mm	1.0mm	1.6mm	2.4mm	3.2mm	
NOZZLE SIZE		#3, #4	#5	#6	#7	#8	#10, #12, #15
STANDARD SET-UP		PART NUMBERS					
6	Gasket/Insulator	598882	598882	598882	598882	598882	
7	Collet	13N20	13N21	13N22	13N23	13N24	
8	Collet Body	13N25	13N26	13N27	13N28	13N29	
9	Alumina Nozzle	13N08	13N09	13N10	13N11	13N12	13N13(10)
10	Lava Nozzle	13N14	13N15	13N16	13N17	13N18	13N19(10)
11	Long Lava	796F70(3) 796F71(4)	796F72	796F73			
12	Extra Long Lava	796F74(3) 796F75(4)	796F76	796F77			
SMALL GAS LENS SET-UP		PART NUMBERS					
6	Gasket	598882	598882	598882	598882	598882	
7	Collet	13N20	13N21	13N22	13N23	13N24	
13	Small Gas Lens	45V41	45V42	45V43	45V44	45V45	
13A	Small Copper Gas Lens	45V41C	45V42C	45V43C	45V44C	45V45C	
14	Alumina Nozzle	53N58	53N59	53N60	53N61	53N61S	
MED. STUBBY GAS LENS SET-UP		PART NUMBERS					
15A	Med. GL Insulator	54N01S	54N01S	54N01S	54N01S	54N01S	
16	Gas Lens Collet	13N20L	13N21L	13N22L	13N23L	13N24L	
17	Med. Stubby GL	45V23S	45V24S	45V25S	45V26S	45V27S	
17A	Med. Stubby Copper GL	45V29SC	45V24SC	45V25SC	45V26SC	45V27SC	
34	Alumina Nozzle	54N18	54N17	54N26	54N15	54N14	54N19*(.700)
35	Lava Nozzle	54N35	54N34	54N33	54N32	54N31	54N36(11)
36	Long Alumina Nozzle		54N17L	54N16L	54N15L	54N14L	
LARGE STUBBY GAS LENS SET-UP		PART NUMBERS					
15	Lg. Dia. GL Insulator	54N63-20	54N63-20	54N63-20	54N63-20	54N63-20	
16	Gas Lens Collet	13N20L	13N21L	13N22L	13N23L	13N24L	
17B	Lg. Stubby Gas Lens	45V0204S	45V0204S	45V0204S	45V0204S	45V0204S	
17C	Lg. Stubby Copper GL	45V0204SC	45V0204SC	45V0204SC	45V0204SC	45V0204SC	
18	Alumina Nozzle			57N75		57N74	
							53N87(12)
*Not recommended for use with high frequency current							53N88(10)
							53N89*(15)

KEY	DESCRIPTION	PART NO.
1	Back Cap, Long	41V24
2	Back Cap, Medium	41V35
3	Back Cap, Short	41V33
4	O Ring	98W77
5	Torch Body	9
	Torch Body, Flexible	9F
	Torch Body, Hard Plastic	9HP
5A	Torch Body	9V
	Flex w/Valve in handle	9FV
5B	Torch Body	9VB
	Flex w/valve in Body	9FVB
5C	Torch Body	9P
6	Gasket/Insulator	See Chart
7	Collet	See Chart
8	Collet Body	See Chart
9-12	Nozzle	See Chart
13	Small Gas Lens	See Chart
13A	Small Copper GL	See Chart
14	Nozzle	See Chart
15	Insulator	54N63-20
15A	Insulator	54N01S
16	Gas Lens Collet	See Chart
17	Med. Stubby GL	See Chart
17A	Med. Stubby Copper GL	See Chart
17B	Lg. Stubby GL	See Chart
17C	Lg. Stubby Copper GL	See Chart
18	Nozzle	See Chart
19	Valve Stem for 9FV	VSF-1
20	O-Ring for VSF-1	VSF-0
21	O-Ring for VS-0	VS-0
22	Valve Stem for 9FVB	VS-2
23	Power Cables	
	1 pc. Vinyl 12.5 Ft	57Y01
	1 pc. Braided 12.5 Ft	57Y01BR
	1 pc. Rubber 12.5 Ft.	57Y01R
	1 pc. Vinyl 25 Ft.	57Y03
	1 pc. Rubber 25 Ft.	57Y03R
24	2 pc. w/Braided Gas 12.5 Ft	57Y01-2
	2 pc. w/Braided Gas 25 Ft.	57Y03-2
25	Cable Cover 3" x 10 Ft.	CC-3-10
	3" x 10 Ft. Heavy Duty	CC-3-10HD
	Cable Covers 3" x 22 Ft.	CC-3-22
26	3" x 22 Ft. Heavy Duty	CC-3-22HD
	Handle, Textured	H100
27	Handle, Smooth for 9HP only	105Z55
	Handle, Ribbed	H100R
28	Handle, Ribbed for 9HP only	105Z55R
	Rubber Boot for SW1 & SW1F	BS-1
29	Rubber Boot for SW2-0	BS-2
	Snap-on Boot for SW1 & SW1F	BS-1S
	Snap-on Boot for SW2-0	BS-2S
30	Power, Cable Adapter	105Z57
31		
32	Lever	SW2-25
	Lever w/12.5 Ft. leads	SW4
	Lever w/25 Ft. leads	SW4-12
33	Switch Momentary	SW4-25
	Bulb w/6 in. leads	SW1
	Bulb w/12.5 Ft. leads	SW1-12
	Bulb w/ 25 Ft. leads	SW1-25
	Flat w/ 6 in. leads	SW1F
	Flat w/ 12.5 Ft. leads	SW1F-12
	Flat w/ 25 Ft. leads	SW1F-25
34	Nozzle	See Chart
35	Nozzle	See Chart
36	Nozzle	See Chart

TIG

22

12/500 AMP WATER-COOLED



ACCESSORY KIT

Accessory Kit

AK-7

HOOK-UP KITS

12.5 Ft. Water Cooled Vinyl
12.5 Ft. Water Cooled Rubber

HK-1
HK-1R

TIG

BASIC TORCH SPECIFICATIONS

	12
CAPACITY:	500 Amp
ELECTRODE RANGE:	1/16-1/4" (1.6-6.4mm)
BODY LENGTH:	11" (297mm)
HEAD LENGTH:	
w/short back cap:	
w/med. back cap:	7-1/2" (191mm)
w/long back cap:	5-7/16" (138mm)
HEAD ANGLE:	60 degree
HEAD DIAMETER:	1-3/16" (30mm)

NOTES

Call for availability.

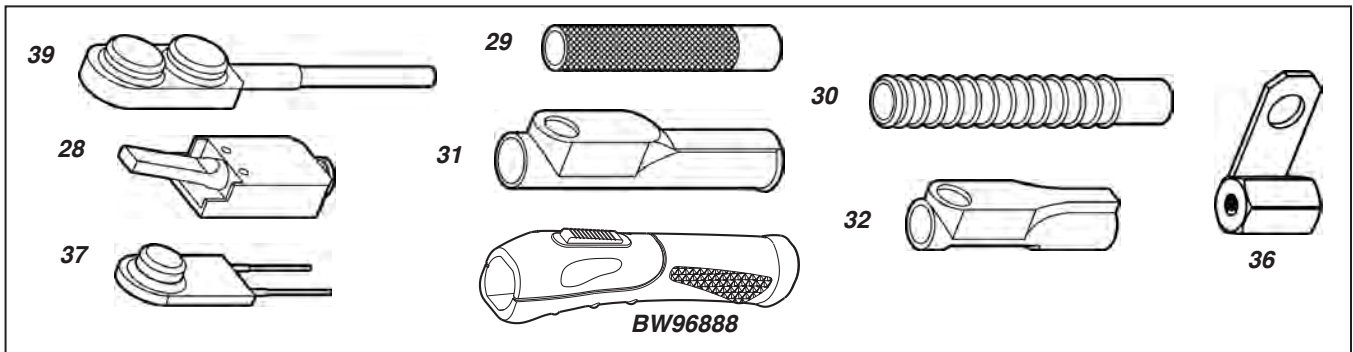
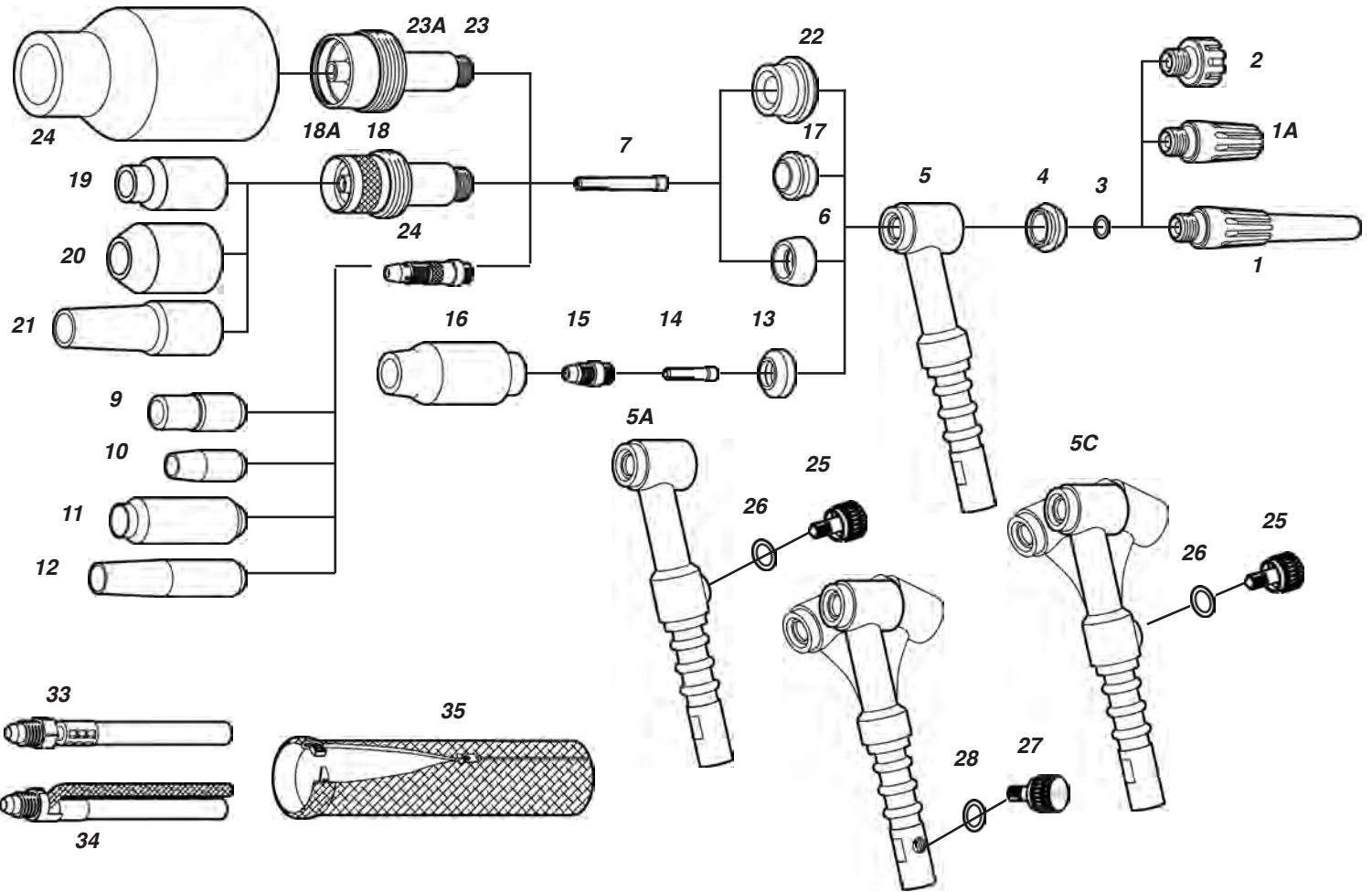
KEY	DESCRIPTION	PART NUMBERS					
ELECTRODE DIAMETER		1/16" 1.6mm	3/32" 2.4mm	1/8" 3.2mm	5/32" 4.0mm	3/16" 4.8mm	1/4" 6.4mm
NOZZLE SIZE		#4	#5	#6	#7	#8	#10, #12, Short
GAS LENS SET-UP		PART NUMBERS					
4	Gasket	12NG	12NG	12NG	12NG	12NG	12NG
5	Collet	85Z14	85Z15	85Z16	85Z17	85Z18	85Z19
6	Collet Body	11WP65	11WP65	11WP65	11WP65	11WP65	11WP65
7	Alumina Nozzle	14N57	14N58	14N59	14N60	14N61	14N61-10 14N61-12
8	Long Alumina Nozzle	14N68	14N69	14N70	14N71	14N72	
GAS LENS SET-UP		PART NUMBERS					
9	Gasket	12GLG	12GLG	12GLG	12GLG	12GLG	
10	Gas Lens	11GL16	11GL32	11GL18	11GL53	11GL36	
11	Alumina Nozzle			57N75		57N74	53N88 (10) 53N87 (12) 53N89*
METAL NOZZLE SET-UP		PART NUMBERS					
12	Metal Nozzle Gasket			12MNG		12MNG	12MNG
13	Insulator Sleeve			85Z99		85Z99	85Z99
14	Metal Nozzle			86Z01		86Z02	86Z03 (10) 86Z06 (12)

*Not recommended for use with high frequency current.

KEY	DESCRIPTION	PART No.	KEY	DESCRIPTION	PART No.	KEY	DESCRIPTION	PART No.
1	Back Cap, Long	56Y44	19	Gas Hoses	40V82R	25	Lever Switch	SW4
2	Back Cap, Short	56Y45		Braided, 12.5 Ft.	40V82RL		Lever w/12.5 Ft. leads	SW4-12
3	Torch Body	12		Braided, 25 Ft.			Lever w/25 Ft. leads	SW4-25
4	Nozzle Gasket	12NG	20	Water Hoses	40V83R	26	Switch, Off/On w/6 in. leads	SW2-0
5	Collet	See Chart		Braided, 12.5 Ft.	40V83RL		Off/On w/12.5 Ft. leads	SW2-12
6	Collet Body	See Chart		Braided, 25 Ft.			Off/On w/25 Ft. leads	SW2-25
7	Nozzle	See Chart	21	Hose & Cable Assembly	40WP84			
8	Nozzle	See Chart		Rubber Sheath, 12.5 Ft.	40WP84L			
9	Gas Lens Gasket	12GLG		Rubber Sheath, 25 Ft.				
10	Gas Lens	See Chart	22	Cable Cover 4" x 10 Ft.	CC-4-10			
11	Nozzle	See Chart		4" x 10 Ft. Heavy Duty	CC-4-10HD			
12	Metal Nozzle Gasket	12MNG		Cable Cover 4" x 22 Ft.	CC-4-22			
13	Insulator Sleeve	85Z99		4" x 22 Ft. Heavy Duty	CC-4-22HD			
14	Nozzle	See Chart	23	Power Cable Adapter	45V11			
15	Handle	85WP13	24	Switch, Momentary	SW-1			
16	Rubber Boot for SW1 & SW1F	BL-1		Bulb w/6 in. leads	SW-1-12			
	Rubber Boot for SW2-0	BL-2		Bulb w/12.5 Ft. leads	SW1-25			
17	Snap-on Boot for SW1 & SW1F	BL-1S		Bulb w/25 Ft. leads	SW1-F			
	Snap-on Boot or SW2-0	BL-2S		Flat w/6 in. leads	SW1F-12			
18	Power Cables	40V84R	25	Flat w/12.5 Ft. leads	SW1F-			
	Rubber, 12.5 Ft.			Flat w/25 Ft. leads				
	Rubber, 25 Ft.							

24

17, V, F, FV, FVB, HP, HPV 150 AMP AIR-COOLED



ACCESSORY KIT

Accessory Kit	AK-2
Master Accessory Kit	MAK-2S

HOOK-UP KITS

12.5 Ft. Air Cooled Vinyl	HK-2
12.5 Ft. Air Cooled Vinyl	HK-3
12.5 Ft. Air Cooled Rubber	HK-2R
12.5 Ft. Air Cooled Rubber	HK-3R

EXTENSION KITS

12.5 Ft. Air Cooled Vinyl	EK-2-12
12.5 Ft. Air Cooled Rubber	EK-2-12-R
25 Ft. Air Cooled Vinyl	EK-2-25
25 Ft. Air Cooled Rubber	EK-2-25-R

TIG

BASIC TORCH SPECIFICATIONS 17,17V,17F,17FVB,17FV,17HP,17HPV

CAPACITY:	150 Amp
ELECTRODE RANGE:	.020-3/32" (.5-2.4mm)
BODY LENGTH:	7-3/4" (197mm)
HEAD LENGTH:	
w/short back cap:	1-7/8" (48mm)
w/med. back cap:	3-5/8" (92mm)
w/long back cap:	5-7/16" (138mm)
HEAD ANGLE:	60 degree
HEAD DIAMETER:	7/8" (22mm)
WEIGHT:	3.4 oz. (95gm) (head with handle)

LEGEND

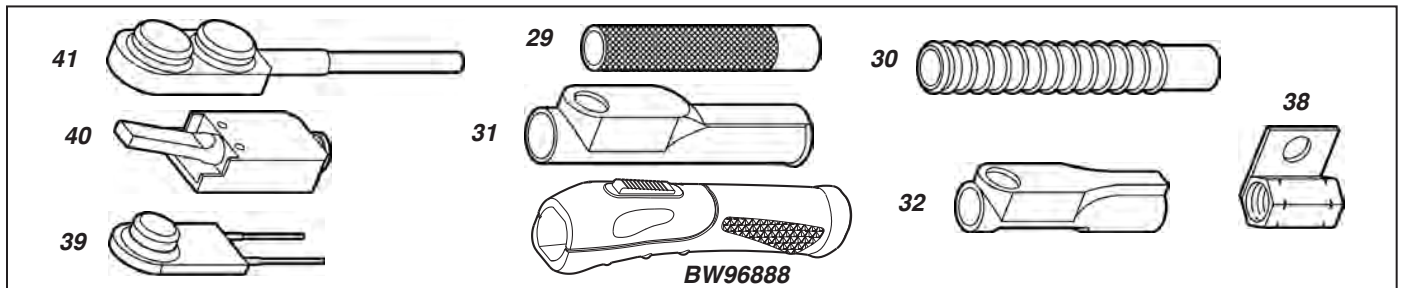
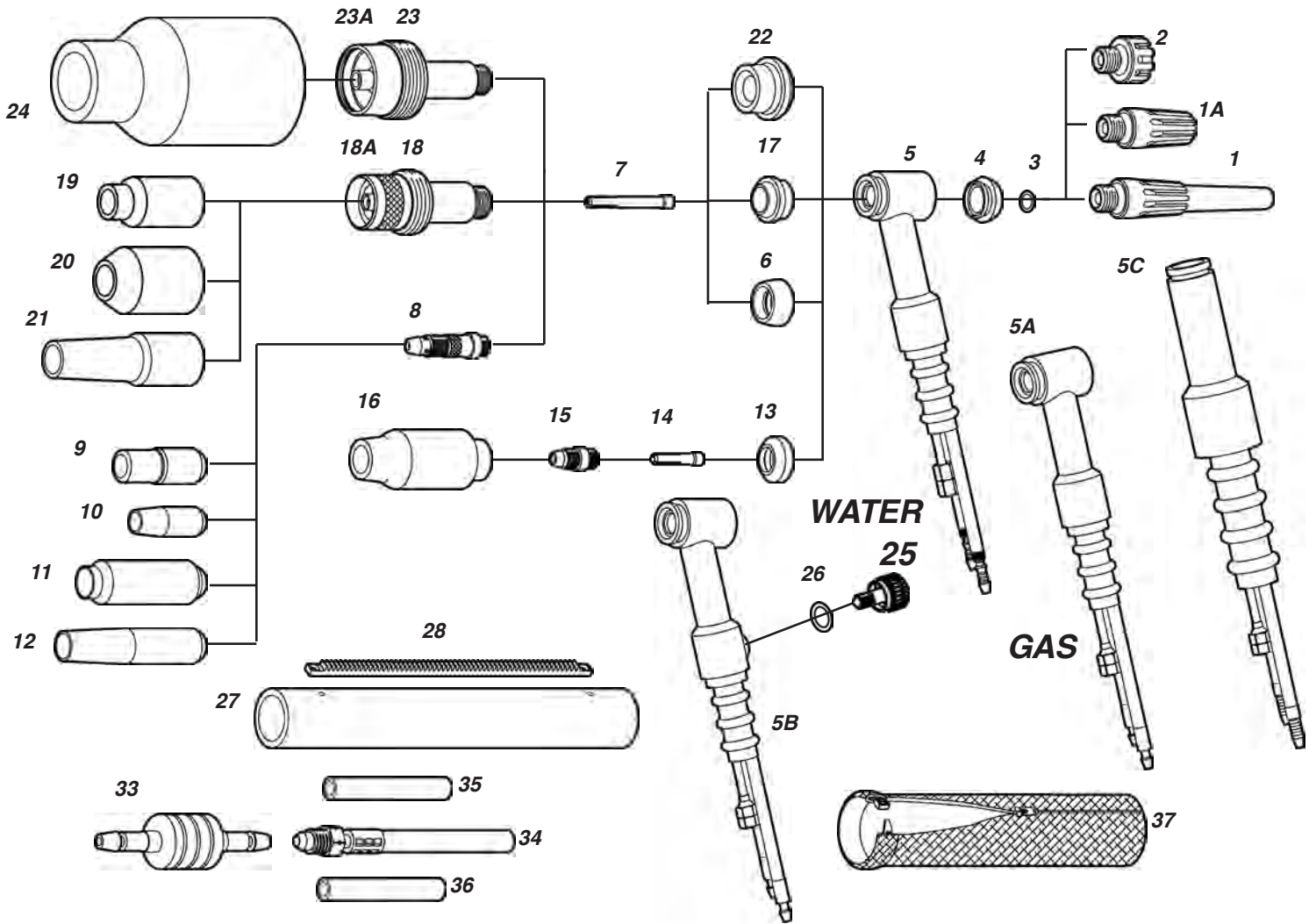
F=Flex Torch FV=Flex Torch w/valve in handle FVB=Flex Torch w/valve in body
 HP=Hard Plastic torch P=Pencil (180 degrees) V=Torch w/ Valve

KEY	DESCRIPTION	PART NUMBER					
ELECTRODE DIAMETER		.020" 0.5mm	.040" 1.0mm	1/16" 1.6mm	3/32" 2.4mm	1/8" 3.2mm	
NOZZLE SIZE		#4	#5	#6	#7	#8	#10, #12, #15
STANDARD SET-UP		PART NUMBER					
6	Gasket	18CG	18CG	18CG	18CG	18CG	
7	Collet	10N21	10N22	10N23	10N24	10N25	
8	Collet Body	10N29	10N30	10N31	10N32	10N28	
9	Alumina Nozzle	10N50	10N49	10N48	10N47	10N46	10N45(10) 10N44(12)
10	Lava Nozzle	105Z43	105Z42	105Z44	105Z45	08N78	08N79(10)
12	Long Alumina Nozzle		10N49L	10N48L	10N47L		
12	Extra Long Lava	12N03	105Z60	12N02	105Z61		
17CB SMALL COLLET BODY SET-UP		PART NUMBER					
13	Stubby Gasket	18CG20	18CG20	18CG20	18CG20		
14	Stubby Collet	10N21S	10N22S	10N23S	10N24S		
15	Stub Col Body	17CB20	17CB20	17CB20	17CB20		
16	Alumina Nozzle	13N08	13N09	13N10	13N11	13N12	13N13(10)
MED. GAS LENS SET-UP		PART NUMBER					
17	Med. GL Insulator	54N01	54N01	54N01	54N01		
7	Collet	10N21	10N22	10N23	10N24		
18	Med. Gas Lens	45V29	45V24	45V25	45V26	45V27	
18A	Med. GL Copper	45V29C	45V24C	45V25C	45V26C	45V27C	
19	Alumina Nozzle	54N18	54N17	54N26	54N15	54N14	54N19*(.700)
20	Lava Nozzle	54N35	54N34	54N33	54N32	54N31	54N36(11)
21	Long Lava		54N17L	54N16L	54N15L	54N14L	
LARGE GAS LENS SET-UP		PART NUMBER					
22	Lg. Dia. GL Insulator	54N63	54N63	54N63	54N63	54N63	
7	Collet	10N21	10N22	10N23	10N24	10N25	
23	Lg. Dia. Gas Lens	45V0204	45V0204	45V116	45V64	995795	
23A	Lg. Dia. Copper GL	45V0204C	45V0204C	45V116C	45V64C	995795C	
24	Alumina Nozzle			57N75		57N74	
*Not recommended for use with high frequency current							53N87(12)
							53N88(10)
							53N89*(15)

KEY	DESCRIPTION	PART NO.
1	Back Cap, Long	57Y02
1A	Back Cap, Medium	300M
2	Back Cap, Short	57Y04
3	O-Ring	98W18
4	Back Insulator	18-7
5	Torch Body	17,17F,17HP
5A	Torch Body	17V,17HPV
5B	Torch Body	17FV
5C	Torch Body	17FVB
6	Gasket/Insulator	See Chart
7	Collet	See Chart
8	Collet Body	See Chart
9	Nozzle	See Chart
10	Nozzle	See Chart
11	Metal Sleeved Nozzle	See Chart
12	Nozzle	See Chart
13	Insulator	18CG20
14	Stubby Collet	See Chart
15	Stubby Collet Body	17CB20
16	Nozzle	See Chart
17	Insulator	54N63
18	Medium Gas Lens	See Chart
18A	Medium Copper Gas Lens	See Chart
19	Nozzle	See Chart
20	Nozzle	See Chart
21	Nozzle	See Chart
22	Insulator	54N63
23	Lg. Gas Lens	See Chart
23A	Lg. Copper Gas Lens	See Chart
24	Nozzle	See Chart
25	Valve Stem for 17V	VS-2
26	O-Ring for VS-2	VS-0
27	Valve Stem for 17FV	VSF-1
28	O-Ring for VSF-1	VSF-0
29	Handle, Textured	H100
30	Handle, Smooth for 17HP	105Z55
	Handle, Ribbed	H100R
	Handle, Ribbed	105Z55R
31	Rubber Boot for SW1 & SW1-F	BS-1
	Rubber Boot for SW2-0	BS-2
32	Snap-on Boot for SW1& SW1-F	BS-1S
	Snap-on Boot for SW2-0	BS-2S
33	Power Cables	
	1 pc. Vinyl 12.5 Ft.	57Y01
	1 pc. Braided 12.5 Ft.	57Y01BR
	1 pc. Rubber 12.5 Ft.	57Y01R
	1 pc. Vinyl 25 Ft.	57Y03
34	1 pc. Rubber 25 Ft.	57Y03R
	2 pc. w/ Braided Gas 12.5 Ft.	57Y01-2
	2 pc. w/ Braided Gas 25 Ft.	57Y03-2
35	Cable Cover 3" x 10 Ft.	CC-3-10
	3" x 10 Ft. Heavy Duty Cable Cover 3" x 22 Ft.	CC-3-10HD
36	3" x 10 Ft. Heavy Duty Cable Cover 3" x 22 Ft.	CC-3-22
	3" x 10 Ft. Heavy Duty Power Adapter	CC-3-22HD
		105Z57
37	Switch, Momentary	
38	Bulb w/6 in. leads	SW-1
	Bulb w/12.5 Ft. leads	SW-1-12
	Bulb w/25 Ft. leads	SW1-25
	Flat w/6 in. leads	SW1F
	Flat w/12.5 Ft. leads	SW1F-12
39	Flat w/25 Ft. leads	SW1F-25
	Lever Switch	SW4
39	Lever w/12.5 Ft. leads	SW4-12
	Lever w/25 Ft. leads	SW4-25
	Switch, Off/On w/6 in. leads	SW2-0
39	Off/On w/12.5 Ft. leads	SW2-12
	Off/On w/25 Ft. leads	SW2-25

26

18 18-90°, 18HP, V, P 350 AMP WATER-COOLED



BW96888

ACCESSORY KIT HOOK-UP KITS EXTENSION KITS

Accessory Kit	AK-3	12.5 Ft. Water Cooled Vinyl	HK-1	12.5 Ft. Water Cooled Vinyl	EK-1-12
Master Accessory Kit	MAK-2S	12.5 Ft. Water Cooled Rubber	HK-1R	12.5 Ft. Water Cooled Rubber	EK-1-12-R
				25 Ft. Water Cooled Vinyl	EK-1-25
				25 Ft. Water Cooled Rubber	EK-1-25-R

TIG

PHD®, PHDXTM, Lightning®, Waltec™, Integra™, Lasertec Laser Division of American Torch Tip®, Multi-Use™ and ProMix™ are trademarks owned by American Torch Tip Company. American Torch Tip Company is in no way affiliated with the above-named original equipment manufacturer(s). References to the above-named machines, torches, and numbers are for your reference only. Most parts advertised for sale are made by or for American Torch Tip, and other parts as indicated, are original parts manufactured by above-named, original equipment manufacturer (OEM) and are simply being re-sold by American Torch Tip. Footnotes: * = OEM; # = American Torch Tip is licensed to make and sell this part by named manufacturer; ATTC and ATT suffix = This part is an original American Torch Tip design and is not manufactured identical to the OEM design; © indicates a registered trademark, trade name, or product name of the above-named company. © Copyright 2015, American Torch Tip Company

BASIC TORCH SPECIFICATIONS

BASIC TORCH SPECIFICATIONS

	18,18-90,18HP,18V	18P
CAPACITY:	350 Amp	500 Amp
ELECTRODE RANGE:	.020-5/32" (.5-4.0mm)	.020-3/16"(.5-4.8mm)
BODY LENGTH:	8-5/8" (219mm)	12-1/2" w/1-3/8" Dia. barrel (317mm)
HEAD LENGTH:		
w/short back cap:	3-3/4" (95mm)	
w/long back cap:	7-3/8" (187mm)	
HEAD ANGLE:	60 degrees	180 degrees
HEAD DIAMETER:	1-0"(25mm)	15/15"(24mm)
WEIGHT:		
(head with handle)	6.2 oz. (174gm)	6.9 oz (193gm)

LEGEND

HP=Hard Plastic torch P=Pencil (180 degrees) V=Torch w/ Valve 90=90 head

KEY	DESCRIPTION	PART NO.						
ELECTRODE DIAMETER	.020" 0.5mm	.040" 1.0mm	1/16" 1.6mm	3/32" 2.4mm	1/8" 3.2mm	5/32" 4.0mm		
STANDARD SET-UP								
6	Insulator	18CG	18CG	18CG	18CG	18CG	18CG	
7	Collet	10N21	10N22	10N23	10N24	10N25	54N20	
8	Collet Body	10N29	10N30	10N31	10N32	10N28	406488	
9	Alumina Nozzle	10N50	10N49	10N48	10N47	10N46	10N45(10)	
10	Lava Nozzle	10S243	10S242	10S244	10S245	08N78	08N79(12) 10N44(12)	
12	Long Alumina Nozzle		10N49L	10N48L	10N47L		(08N80(12))	
12	Long Lava Nozzle	12N03	10S260	12N02	10S261			
17CB SMALL COLLET BODY SET-UP								
13	Stubby Gasket	18CG20	18CG20	18CG20	18CG20	18CG20		
14	Stubby Collet	10N21S	10N22S	10N23S	10N24S	10N25S		
15	Stub. Col. Body	17CB20	17CB20	17CB20	17CB20	17CB20		
16	Alumina Nozzle	13N08	13N09	13N10	13N11	13N12	13N13(10)	
MED. GAS LENS SET-UP								
17	Med. GL Insulator	54N01	54N01	54N01	54N01	54N01	54N01	
7	Collet	10N21	10N22	10N23	10N24	10N25	54N20	
18	Med. Gas Lens	45V29	45V24	45V25	45V26	45V27	45V28	
18A	Med. GL Copper	45V29C	45V24C	45V25C	45V26C	45V27C	45V28C	
19	Alumina Nozzle	54N18	54N17	54N16	54N15	54N14	54N19*(.700)	
20	Lava Nozzle	54N35	54N34	54N33	54N32	54N31	54N36	
21	Long Lava		54N17L	54N16L	54N15L	54N14L		
LARGE GAS LENS SET-UP								
22	Lg. Dia. GL Insulator	54N63	54N63	54N63	54N63	54N63	54N63	
7	Collet	10N21	10N22	10N23	10N24	10N25	54N20	
23	Lg. Dia. Gas Lens	45V0204	45V0204	45V116	45V64	995795	45V63	
23A	Lg. Dia. Copper GL	45V0204C	45V0204C	45V116C	45V64C	995795C	45V63C	
24	Alumina Nozzle			57N75		57N74	53N87(12)	
							53N88(10)	
							53N89*(15)	
*Not recommended for use with high frequency current								

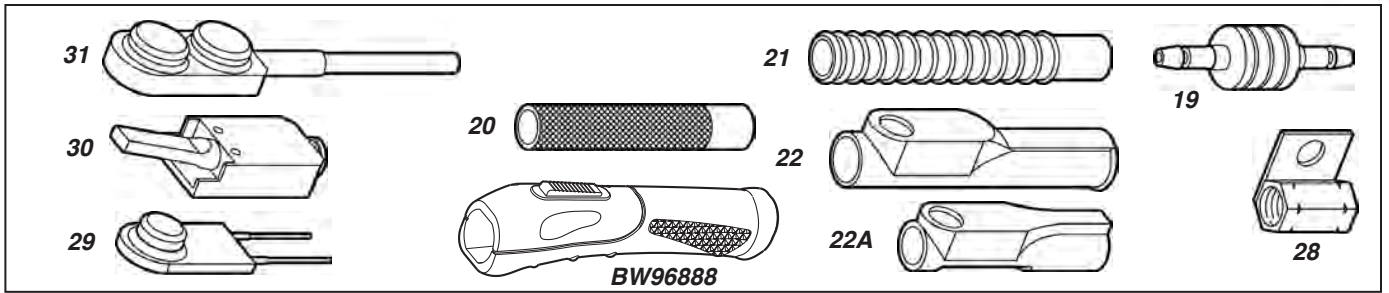
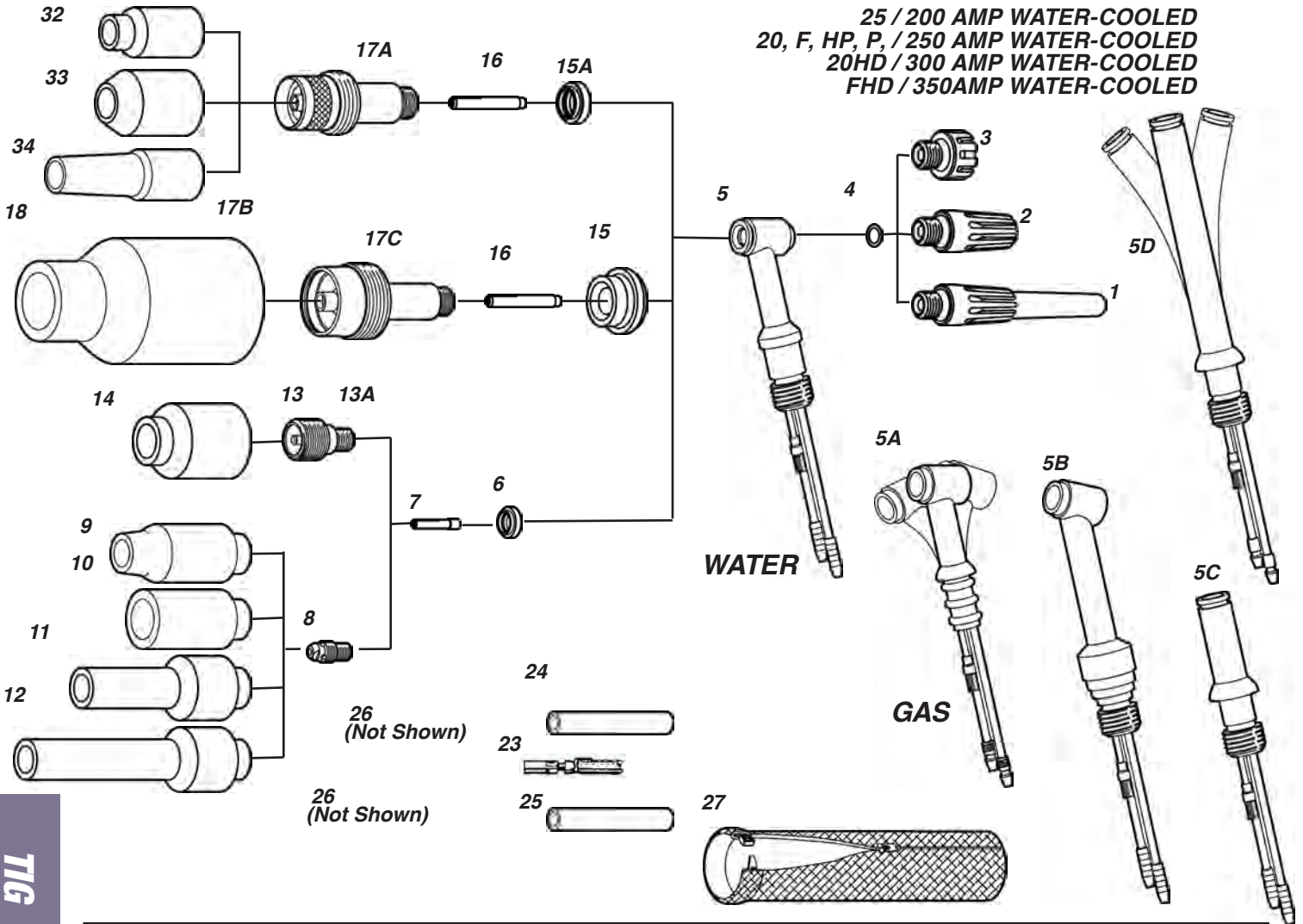
KEY	DESCRIPTION	PART NO.
1	Back Cap, Long	57Y02
1A	Back Cap, Medium	300M
2	Back Cap, Short	57Y04
3	O-Ring	98W18
4	Back Insulator	18-7
5	Torch Body	18
5A	Torch Body	18HP
	Torch Body	18-90
5B	Torch Body	18V
5C	Torch Body	18P
6	Insulator	See Chart
7	Collet	See Chart
8	Collet Body	See Chart
9	Nozzle	See Chart
10	Nozzle	See Chart
11	Nozzle	See Chart
12	Nozzle	See Chart
13	Stubby Gasket	18CG20
14	Collet	See Chart
15	Stubby Collet Body	See Chart
16	Nozzle	See Chart
17	Med. GL Insulator	See Chart
18	Medium Gas Lens	See Chart
18A	Medium Copper Gas Lens	See Chart
19	Nozzle	See Chart
20	Nozzle	See Chart
21	Nozzle	See Chart
22	Lg. Dia. GL Insulator	53N64
23	Lg. Dia. Gas Lens	See Chart
23A	Lg. Copper Gas Lens	See Chart
24	Nozzle	See Chart
25	Valve Stem for 18V	VS-2
26	O-Ring for VS-2	VS-0
27	Barrel	18PB
28	Pitch Rack	18R24/18R32
	Pitch Rack Screws	18R-1
29	Handle, Textured	H200
	Handle, Smooth for 18HP	10N15
30	Handle, Ribbed	H200R
	Handle, Ribbed for 18HP	10N15R
31	Rubber Boot for SW1 & SW1-F	BL-1
	Rubber Boot for SW2-0	BL-2
32	Snap-on Boot for SW1&SW1-F	BL-1S
	Snap-on Boot for SW2-0	BL-2S
33	Gas Slide Valve (in line)	V-1
	Power Cable	
34	P.C. Vinyl 12.5 Ft.	40V64
	P.C. Rubber 12.5 Ft.	40V64R
	P.C. Vinyl 25 Ft.	41V29
	P.C. Rubber 25 Ft.	41V29R
35	Gas Hose, Vinyl 12.5 Ft.	40V64
	Gas Hose, Braided 12.5 Ft.	40V64R
	Gas Hose, Vinyl 25 Ft.	41V30
	Gas Hose, Braided 25 Ft.	41V30R
36	Water Hose, Vinyl 12.5 Ft.	40V74
	Water Hose, Braided 12.5 Ft.	40V74R
	Water Hose, Vinyl 25 Ft.	41V32
	Water Hose, Braided 25 Ft.	41V32R
37	Cable Cover 3" x 10 Ft.	CC-3-10
	3" x 10 Ft. Heavy Duty	CC-3-10HD
	Cable Cover 3" x 10 Ft.	CC-3-22
	3" x 10 Ft. Heavy Duty	CC-3-22HD
38	Power Adapter	45V11
39	Switch, Momentary	
	Bulb w/6 in. leads	SW-1
	Bulb w/12.5 Ft. leads	SW-1-12
	Bulb w/25 Ft. leads	SW1-25
	Flat w/6 in. leads	SW1F
	Flat w/12.5 Ft. leads	SW1F-12
	Flat w/25 Ft. leads	SW1F-25
40	Lever Switch	SW4
	Lever w/12.5 Ft. leads	SW4-12
	Lever w/25 Ft. leads	SW4-25
41	Switch, Off/On w/6 in. leads	SW2-0
	Off/On w/12.5 Ft. leads	SW2-12
	Off/On w/25 Ft. leads	SW2-25
42	Hose Clamp	53N04

TIG

28

25-20 WATER COOLED

25 / 200 AMP WATER-COOLED
 20, F, HP, P, / 250 AMP WATER-COOLED
 20HD / 300 AMP WATER-COOLED
 FHD / 350AMP WATER-COOLED



ACCESSORY KIT		HOOK-UP KITS		EXTENSION KITS	
Accessory Kit	AK-4	12.5 Ft. Water Cooled Vinyl	HK-1	12.5 Ft. Water Cooled Vinyl	EK-1-12
Master Accessory Kit	MAK-1S	12.5 Ft. Water Cooled Rubber	HK-1R	12.5 Ft. Water Cooled Rubber	EK-1-12-R
				25 Ft. Water Cooled Vinyl	EK-1-25
				25 Ft. Water Cooled Rubber	EK-1-25-R

TIG

TIG

20,20F,20HP,20HD

	20FHD (300 Amp)	20P	25	
CAPACITY:	250 Amp	350 Amp	250 Amp	200 Amp
ELECTRODE RANGE:	.020-1/8" (.5-3.2mm)	.020-1/8" (.5-3.2mm)	.020-1/8" (.5-3.2mm)	.020-1/8" (.5-3.2mm)
BODY LENGTH:	7-0"(177mm)	7-5/8"(194mm)	6-1/2"(165mm)	10"(254mm)
HEAD LENGTH:				
w/short back cap:	1-9/32"(33mm)	1-5/16"(33mm)		
w/med. back cap:	2-7/16"(62mm)	2-7/16"(62mm)		
w/long back cap:	6-5/16"(160mm)	6-5/16"(160mm)		
HEAD ANGLE:	60 degrees	60-180 degree	180 degree	180 degree Flex
HEAD DIAMETER:	3/4"(18mm)	1-7/64"(28mm)	11/16"(17mm)	11/16"(17mm)
WEIGHT:	2.8 oz. (78gm)	6.3 oz. (174gm)	2.5 oz. (70gm)	4.0 oz. (112gm)
(head with handle)				

LEGEND F=Flex Torch FHD=Flex heavy duty HD=Heavy Duty
HP=Hard Plastic torch P=Pencil (180 degrees)

KEY	DESCRIPTION	PART NO.						
ELECTRODE DIAMETER		.020"	.040"	1/16"	3/32"	1/8"	5/32"	
		0.5mm	1.0mm	1.6mm	2.4mm	3.2mm	4.0mm	
NOZZLE SIZE		#3,#4	#5	#6	#7	#8	#10, 12, 15	
STANDARD SET-UP								
6	Gasket/Insulator	598882	598882	598882	598882	598882		
7	Collet	13N20	13N21	13N22	13N23	13N24		
8	Collet Body	13N25	13N26	13N27	13N28	13N29		
9	Alumina Nozzle	13N08	13N09	13N10	13N11	13N12	13N13	
10	Lava Nozzle	13N14	13N15	13N16	13N17	13N18	13N19	
11	Long Lava	796F70(3) 796F71(4)	796F73					
12	Extra Long Lava	796F74(3) 796F75(4)	796F76	796F77				
SMALL GAS LENS SET-UP								
6	Gasket/Insulator	598882	598882	598882	598882	598882		
7	Collet	13N20	13N21	13N22	13N23	13N24		
13	Small Gas Lens	45V41	45V42	45V43	45V44	45V45		
13A	Small Copper Gas Lens	45V41C	45V42C	45V43C	45V44C	45V46C		
14	Alumina Nozzle	53N58	53N59	53N60	53N61	53N61S		
MEDIUM STUBBY GAS LENS SET-UP								
17	Med. GL Insulator	54N01S	54N01S	54N01S	54N01S	54N01S		
16	Gas Lens Collet	10N20L	10N21L	10N22L	10N23L	10N24L		
17	Med. Stubby GL	45V29S	45V24S	45V25S	45V26S	45V27S		
17A	Med. Stubby Copper GL	45V29SC	45V24SC	45V25SC	45V26SC	45V27SC		
32	Alumina Nozzle	54N18	54N17	54N26	54N15	54N14	54N19	
33	Lava Nozzle	54N35	54N34	54N33	54N32	54N31	54N36	
34	Long Alumina Nozzle		54N17L	54N16L	54N15L	54N14L		
LARGE STUBBY GAS LENS SET-UP								
15	Lg. Dia. GL Insulator	54N63-20	54N63-20	54N63-20	54N63-20	54N63-20	54N63-20	
16	Gas Lens Collet	13N20L	13N21L	13N22L	13N23L	13N24L		
17B	Lg. Stubby Gas Lens	45V0204S	45V0204S	45V116S	45V64S	995795S		
17C	Lg. Stubby Copper GL	45V0204SC	45V0204SC	45V116SC	45V64SC	995795SC		
18	Alumina Nozzle			57N75		57N74	53N87(12)	
							53N88(10)	
							53N89*(15)	

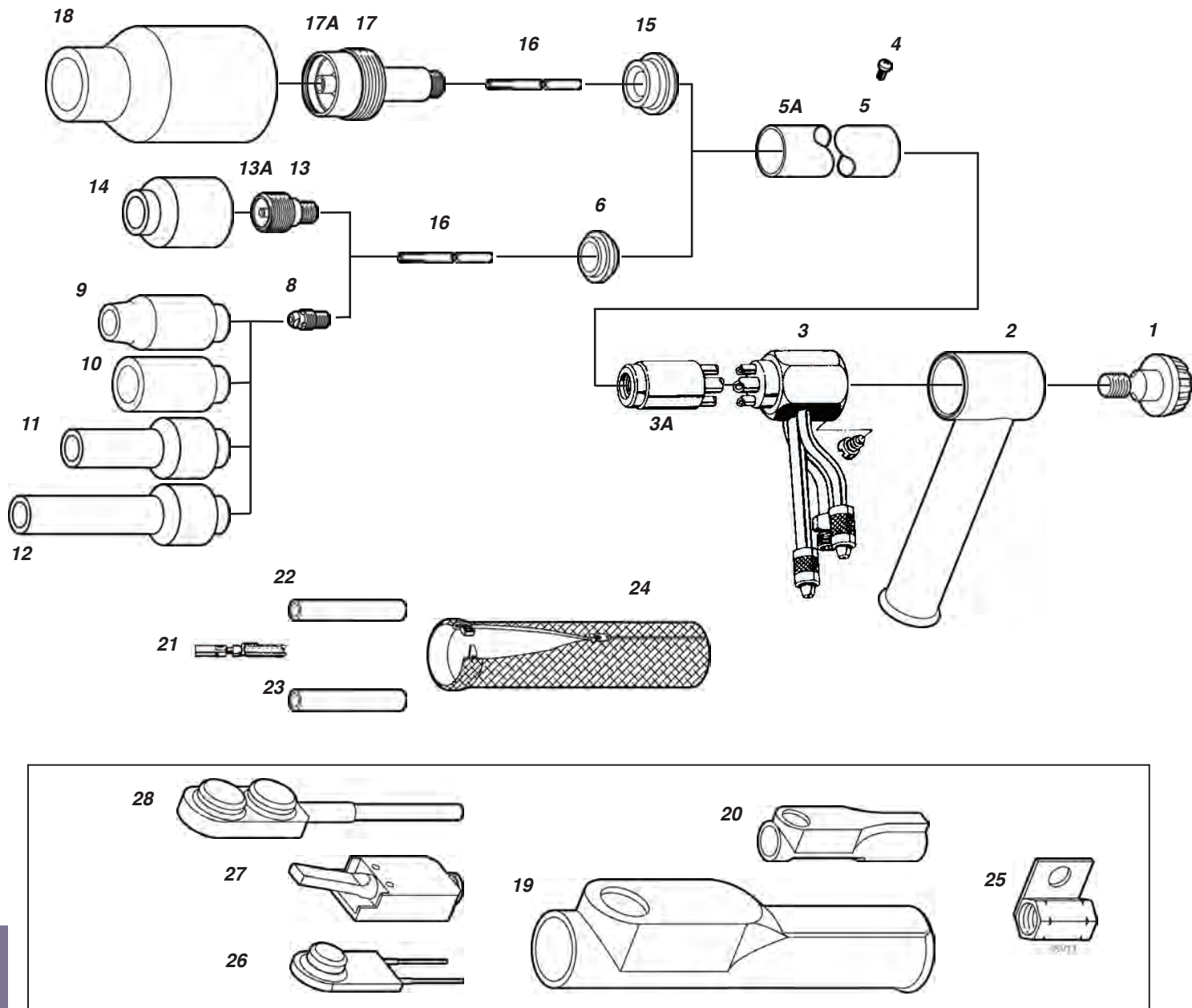
KEY	DESCRIPTION	PART NO.
1	Back Cap, Long	41V24
2	Back Cap, Medium	41V35
3	Back Cap, Short	41V33
4	O-Ring	98W77
5	Torch Body	20,20HP,20HD
5A	Torch Body	20F
5B	Torch Body	20FHD
5C	Torch Body	20P
5D	Torch Body	25
6	Gasket/Insulator	See Chart
7	Collet	See Chart
8	Collet Body	See Chart
9	Nozzle	See Chart
10	Nozzle	See Chart
11	Nozzle	See Chart
12	Nozzle	See Chart
13	Small Gas Lens	See Chart
13A	Small Copper GL	See Chart
14	Nozzle	See Chart
15	Insulator	See Chart
15A	Insulator	See Chart
16	Gas Lens Collet	See Chart
17	Med. Stubby Gas Lens	See Chart
17A	Med. Stubby Gas Lens	See Chart
17B	Lg. Stubby Gas Lens	See Chart
17C	Lg. Stubby Copper GL	See Chart
18	Nozzle	See Chart
19	Gas Slide Valve (in line)	V-1
20	Handle, textured	53N06
21	Handle, Ribbed for 20,25	53N06R
	Handle, for 20FHD	53N06FR
	Handle, for 20F	H-100
22	Rubber Boot for SW1 & SW1F Switch (For 20FHD Use BL-1)	BS-1
	Rubber Boot for SW2 Switch (For 20FHD use BL-2)	BS-2
22A	Snap-on Boot for SW1 & SW1F (For 20FHD Use BL-1S)	BS-1S
	Snap-on Boot for SW2 Switch (For 20FHD use BL-2S)	BS-2
23	Power Cables	45V03
	P.C. Vinyl 12.5 Ft.	45V03R
	P.C. Braided 12.5 Ft.	45V04
	P.C. Vinyl 25 Ft.	45V04R
24	P.C. Braided 25 Ft.	45V09
	Gas Hose, Vinyl 12.5 Ft.	45V09R
	Gas Hose, Braided 12.5 Ft.	45V10
	Gas Hose, Vinyl 25 Ft.	45V10R
25	Water Hose, Vinyl 12.5 Ft.	45V07
	Water Hose, Braided 12.5 Ft.	45V07R
	Water Hose, Vinyl 25 Ft.	45V08
	Water Hose, Braided 25 Ft.	45V08R
26	Hose Clamp	53N04
27	Cable Cover 3" x 10 Ft.	CC-3-10
	3" x 10 Ft. Heavy Duty	CC-3-10HD
	Cable Cover 3" x 10 Ft.	CC-3-22
	3" x 10 Ft. Heavy Duty	CC-3-22HD
28	Power Adapter	45V11
	Switch Momentary	
29	Bulb w/6 in. leads	SW1
	Bulb w/12.5 Ft. leads	SW1-12
	Bulb w/25 Ft. leads	SW1-25
	Flat w/6 in. leads	SW1F
	Flat w/12.5 Ft. leads	SW1F-12
	Flat w/25 Ft. leads	SW1F-25
30	Lever Switch	SW4
	Lever w/12.5 Ft. leads	SW4-12
	Lever w/25 Ft. leads	SW4-25
31	Switch, Off/On w/6 in. leads	SW2
	Off/On w/12.5 Ft. leads	SW2-12
	Off/On w/25 Ft. leads	SW2-25
32	Nozzle	See Chart
33	Nozzle	See Chart
34	Nozzle	See Chart

TIG

TIG

30

22A, B / 250 AMP WATER-COOLED



HOOK-UP KITS

- | | |
|------------------------------|-------|
| 12.5 Ft. Water Cooled Vinyl | HK-1 |
| 12.5 Ft. Water Cooled Rubber | HK-1R |

EXTENSION KITS

- | | |
|------------------------------|-----------|
| 12.5 Ft. Water Cooled Vinyl | EK-1-12 |
| 12.5 Ft. Water Cooled Rubber | EK-1-12-R |
| 25 Ft. Water Cooled Vinyl | EK-1-25 |
| 25 Ft. Water Cooled Rubber | EK-1-25-R |

TIG

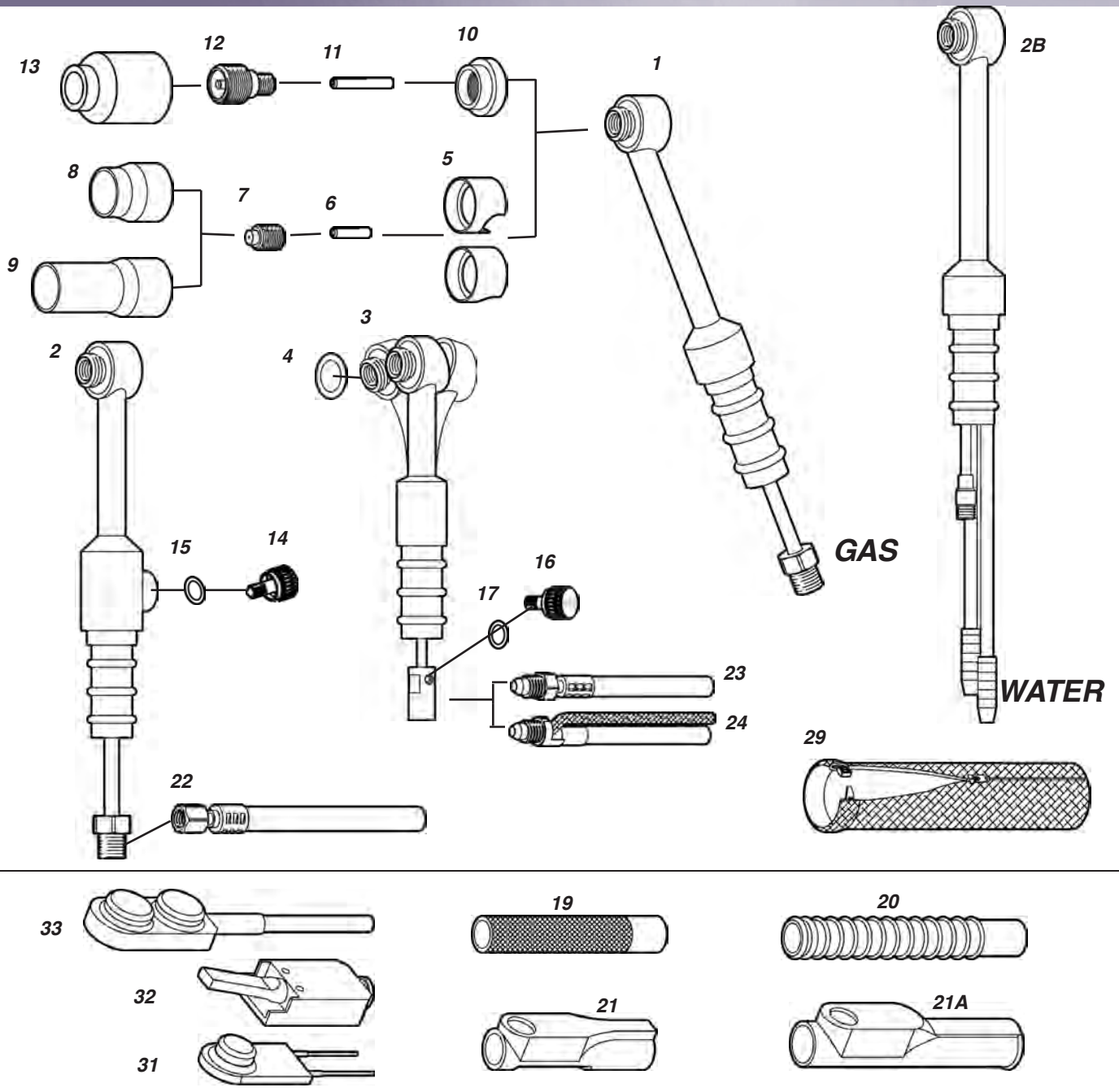
BASIC TORCH SPECIFICATIONS

BASIC TORCH SPECIFICATIONS

	22A	22B
ELECTRODE RANGE:	CAPACITY: .020-1/8" (.5-3.2mm)	250 Amp 250 Amp .020-1/8"(.5-3.2mm)
BODY LENGTH:	7"(17.8cm)	3"(7.6cm)
HEAD ANGLE:	180 degrees	180 degrees
BARREL DIAMETER:	3/4" (cm)	3/4" (cm)
WEIGHT:	5.4 oz. (154.2gm)	4.5 oz (127gm)

KEY	DESCRIPTION	PART NO.					
ELECTRODE DIAMETER		.020" 0.5mm	.040" 1.0mm	1/16" 1.6mm	3/32" 2.4mm	1/8" 3.2mm	
NOZZLE SIZE		#3, #4	#5	#6	#7	#8	#10, #12, Short
STANDARD SET-UP							
6	Gasket	22-10	22-10	22-10	22-10	22-10	
7	Collet	22-N20A	22N21A	22N22A	22N23A	22N24A	
8	Collet Body	22N20B 13N25	22N21B 13N26	22N22B 13N27	22N23B 13N28	22N24B 13N29	
9	Alumina Nozzle	13N08(4)	13N09	13N10	13N11	13N12	
10	Lava Nozzle	13N14	13N15	13N16	13N17	13N181	13N19(10)
11	Long Lava	796F70(3) 796F71(4)	796F72	796F73			
12	Extra Long Lava	796F74(3) 796F75(5)	796F76	796F77			
SMALL GAS LENS SET-UP							
6	Gasket/Insulator	22-10	22-10	22-10	22-10	22-10	
7	Collet	22N20A 22N20B	22N21A 22N21B	22N22A 22N22B	22N23A 22N23B	22N24A 22N24B	
13	Small Gas Lens	45V41	45V42	45V43	45V44	45V45	
13A	Small Copper Gas Lens	45V41C	45V42C	45V43C	45V44C	45V46C	
14	Alumina Nozzle	53N58(4)	53N59	53N60	53N61	53N61S	
LARGE GAS LENS SET-UP							
5	Lg. Dia. GL Insulator	54N63-22	54N63-22	54N63-22	54N63-22	54N63-22	
16	Lg. Dia. GL Collet	22N20AL 22N20BL	22N21AL 22N21BL	22N22AL 22N22BL	22N23AL 22N23BL	22N24AL 22N24BL	
17	Lg. Stubby Gas Lens	45V0204S	45V0204S	45V116S	45V64S	995795S	
17B	Lg. Stubby Copper GL	45V0204SC	45V0204SC	45V116SC	45V64SC	995795SC	
18	Alumina Nozzle			57N75		57N74	53N87(12)
Not recommended for use with high frequency current.							53N88(10)
							53N89*

KEY	DESCRIPTION	PART NO.
1	Collet Knob	22-7
2	Insulating Boot	22-9
3	Torch Body- 7"	22A
3A	Torch Body- 3"	22B
4	Fillister Head Screw	18R-1
5	Barrel- 7"	22-8A
5A	Barrel- 3"	22-8B
6	Gasket	22-10
7	Collet	See Chart
8	Collet Body	See Chart
9	Nozzle	See Chart
10	Nozzle	See Chart
11	Nozzle	See Chart
12	Nozzle	See Chart
13	Small Gas Lens	See Chart
13A	Small Copper GL	See Chart
14	Nozzle	See Chart
15	Insulator	54N63-22
16	Lg. Dia. GL Collet	See Chart
17	Lg. Stubby GL	See Chart
17A	Lg. Stubby Copper GL	See Chart
18	Nozzle	See Chart
19	Rubber Boot for SW1 & SW1F Rubber Boot for SW2-0	BL-1 BL-2
20	Snap-on Boot for SW1 & SW1F Snap-on Boot for SW2-0	BL-1S BL-2S
21	Power Cables Braided Rubber, 3 Ft. Braided Rubber, 12.5 Ft. Braided Rubber, 25 Ft.	45V03R-3 45V03R 45V04R
22	Gas Hoses Braided Rubber, 3 Ft. Braided Rubber, 12.5 Ft. Braided Rubber, 25 Ft.	45V09R-3 45V09R 45V10R
23	Water Hoses Braided Rubber, 3 Ft. Braided Rubber, 12.5 Ft. Braided Rubber, 25 Ft.	45V07R-3 45V07R 45V08R
24	Cable Cover 3" x 10 Ft. 3" x 10 Ft. Heavy Duty Cable Cover 3" x 10Ft. 3" x 10 Ft. Heavy Duty	CC-3-10 CC-3-10HD CC-4-10 CC-4-10HD
25	Power Cable Adapter	45V11
26	Switch, Momentary Bulb w/6 in. leads Bulb w/12.5 Ft. leads Bulb w/25 Ft. leads Flat w/6 in. leads Flat w/12.5 Ft. leads Flat w/25 Ft. leads	SW1 SW1-12 SW1-25 SW1F SW1F-12 SW1F-25
27	Lever Switch Lever w/12.5 Ft. leads Lever w/25 Ft. leads	SW4 SW4-12 SW4-25
28	Switch, Off/On w/6 in. leads Off/On w/12.5 Ft. leads Off/On w/25 Ft. leads	SW2-0 SW2-12 SW2-25



TIG

ACCESSORY KIT FOR 24

Accessory Kit	AK-5
Accessory Kit for 24FHD	AK-5F
Accessory Kit for 24W	AK-5W

HOOK-UP KITS FOR 24 & 24FHD

12.5 Ft. Air Cooled Vinyl	HK-2
12.5 Ft. Air Cooled Vinyl	HK-3
12.5 Ft. Air Cooled Rubber	HK-2R
12.5 Ft. Air Cooled Rubber	HK-3R

EXTENSION KITS FOR 24

12.5 Ft. Air Cooled Vinyl	EK-2-12
12.5 Ft. Air Cooled Rubber	EK-2-12-I
25 Ft. Air Cooled Vinyl	EK-2-25
25 Ft. Air Cooled Rubber	EK-2-25-I

BASIC TORCH SPECIFICATIONS

BASIC TORCH SPECIFICATIONS

	24,24HP,24V,24FVHD	20FHD	20W
CAPACITY:	80 Amp	100 Amp	180 Amp
ELECTRODE RANGE:	.020-3/32" (.5-2.4mm)	.020-3/32"(.5-2.4mm)	.020-3/32"(.5-2.4mm)
BODY LENGTH:	8-5/32"(207mm)	8-5/32"(207mm)	7-1/2"(190mm)
HEAD LENGTH:			1-1/8"(29mm)
HEAD ANGLE:	60 or 90 degree	60 degree flex	60 or 90 degree
HEAD DIAMETER:	5/8"(15mm)	7/8"(21mm)	5/8"(16mm)
WEIGHT: (head with handle)	6.9 oz.(246gm)	6.9 oz.(246gm)	2.6 oz(73gm)

LEGEND **F**=Flex Torch **FV**=Flex Torch w/valve in handle **HD**=Heavy Duty
HP=Hard Plastic torch **V**=Torch w/ Valve **W**=Water Cooled

KEY	DESCRIPTION	PART NO.			
ELECTRODE DIAMETER		.020" 0.5mm	.040" 1.0mm	1/16" 1.6mm	3/32" 2.4mm
NOZZLE SIZE		#4	#5	#6	#7, #8
STANDARD SET-UP					
5	Gasket	53N22	53N22	53N22	53N22
6	Collet	53N15	53N16	53N14	24C332
7	Collet Body	53N17	53N18	53N19	24CB332
8	Alumina Nozzle	53N23A(.165)	53N25A	53N27A	
8	Lava Nozzle	53N24A(4) 53N28	53N25	53N27	
9	Long Lava	53N24(4) 53N28		53N26	
GAS LENS SET-UP					
10	Insulator	53N66	53N66	53N66	53N66
11	Small GL Collet	53N62	53N63	53N64	24GLC332
12	Small Gas Lens	45V41	45V42	45V43	45V44
13	Alumina Nozzle	53N58	53N59	53N60	53N61 (7) 5361S (8)

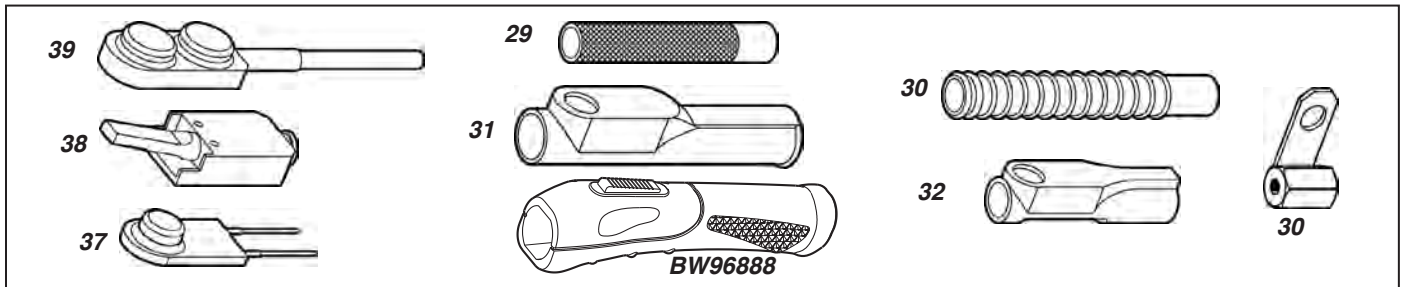
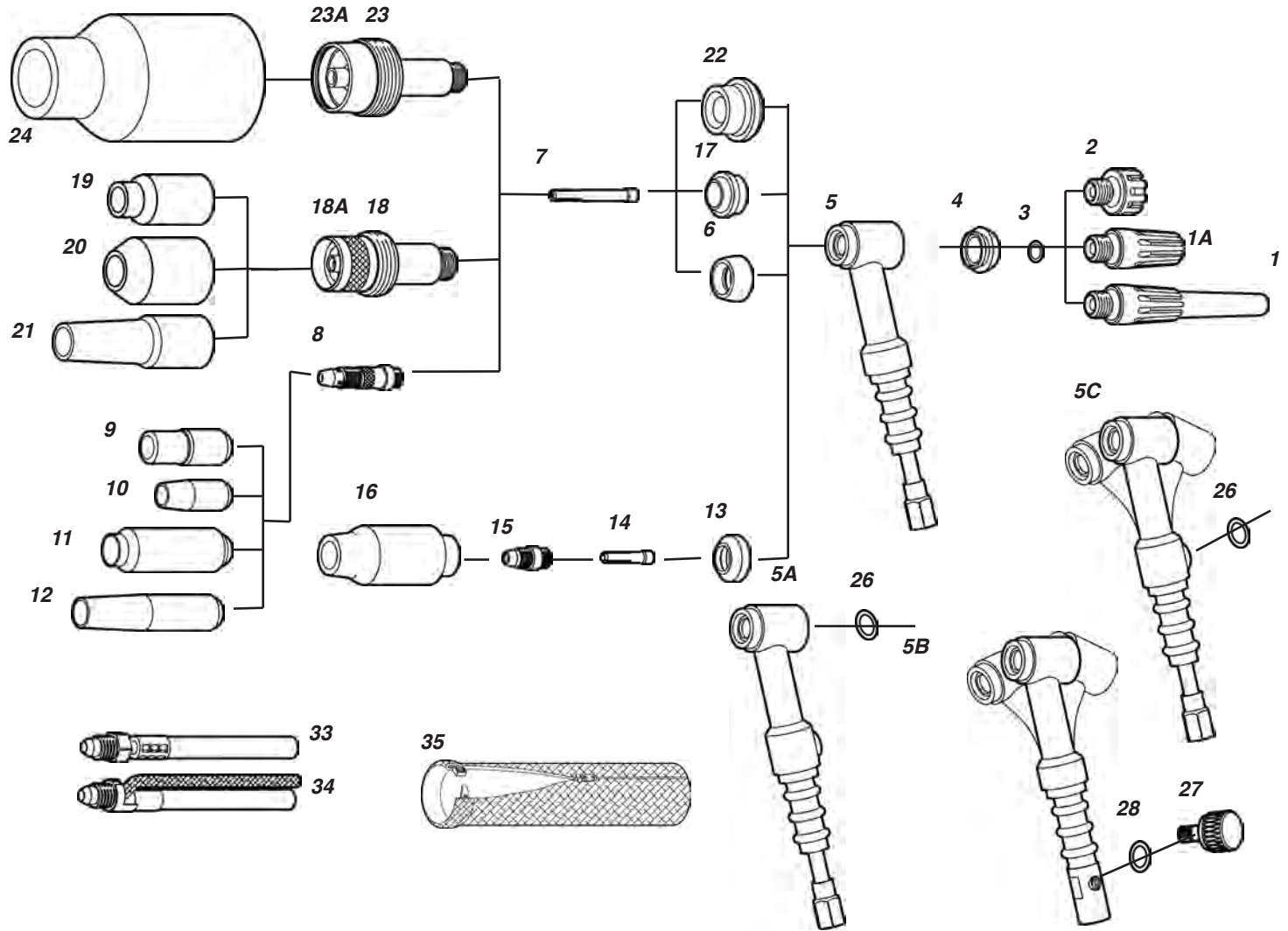
KEY	DESCRIPTION	PART No.
29	Cable Cover 3" x 10 Ft. 3" x 10 Ft. Heavy Duty Cable Cover 3" x 22Ft. 3" x 22 Ft. Heavy Duty	CC-3-10 CC-3-10HD CC-4-22 CC-4-22HD
30	Power Adapter for 24,24HP Power Adapter for 24FHD Power Adapter for 24W	53N43 105Z57 45V11
31	Switch, Momentary Bulb w/6 in. leads Bulb w/12.5 Ft. leads Bulb w/25 Ft. leads Flat w/6 in. leads Flat w/12.5 Ft. leads Flat w/25 Ft. leads	SW1 SW1-12 SW1-25 SW1F SW1F-12 SW1F-25
32	Lever Lever w/12.5 Ft. leads Lever w/25 Ft. leads	SW4 SW4-12 SW4-25
33	Switch, Off/On w/6 in. leads Off/On w/12.5 Ft. leads Off/On w/25 Ft. leads	SW2-0 SW2-12 SW2-25

KEY	DESCRIPTION	PART No.	KEY	DESCRIPTION	PART No.	KEY	DESCRIPTION	PART No.
1	Torch Body	24,24HP	22	Power Cables for 24,24H,24V		29	Cable Cover 3" x 10 Ft.	CC-3-10
2	Torch Body	24V		1 pc. Vinyl 12.5 Ft.	56Y38		3" x 10 Ft. Heavy Duty	CC-3-10HD
2B	Torch Body	24W-60		1 pc. Braided 12.5 Ft.	56Y38BR		Cable Cover 3" x 22Ft.	CC-4-22
2B	Torch Body	24W-90		1 pc. Rubber 12.5 Ft.	56Y38R		3" x 22 Ft. Heavy Duty	CC-4-22HD
3	Torch Body	24FHD,24FVHD		1 pc. Vinyl 25 Ft.	56Y97	30	Power Adapter for 24,24HP	53N43
4	O-Ring for 24FHD only	O24		1 pc. Rubber 25 Ft.	56Y97R		Power Adapter for 24FHD	105Z57
5	Gasket/Insulator	53N22	23	Power Cables for 24FHD,24FVHD			Power Adapter for 24W	45V11
6	Collet	See Chart		1 pc. Vinyl 12.5 Ft.	57Y01	31	Switch, Momentary	
7	Collet Body	See Chart		1 pc. Braided 12.5 Ft.	57Y01BR		Bulb w/6 in. leads	SW1
8	Nozzle	See Chart		1 pc. Rubber 12.5 Ft.	57Y01R		Bulb w/12.5 Ft. leads	SW1-12
9	Nozzle	See Chart		1 pc. Vinyl 25 Ft.	57Y03		Bulb w/25 Ft. leads	SW1-25
10	Insulator	53N66		1 pc. Rubber 25 Ft.	57Y03R		Flat w/6 in. leads	SW1F
11	Small Gas Lens Collet	See Chart	24	2 pc. w/Braided Gas 12.5 Ft.	57Y01-2		Flat w/12.5 Ft. leads	SW1F-12
12	Small Gas Lens	See Chart		2 pc. w/Braided Gas 25 Ft.	57Y03-2		Flat w/25 Ft. leads	SW1F-25
13	Nozzle	See Chart	25	Power Cables for 24W		32	Lever	SW4
14	Valve Knob Stem for 24V	VS-2		P.C. Vinyl 12.5 Ft.	45V03		Lever w/12.5 Ft. leads	SW4-12
15	O-Ring for VS-2	VS-0		P.C. Rubber 12.5 Ft.	45V03R		Lever w/25 Ft. leads	SW4-25
16	Valve Knob Stem for 24FHD	VSF-1		P.C. Vinyl 25 Ft.	45V04	33	Switch, Off/On w/6 in. leads	SW2-0
17	O-Ring for VSF-1	VSF-0		P.C. Rubber 25 Ft.	45V04R		Off/On w/12.5 Ft. leads	SW2-12
19	Handle, Textured	H100	26	Gas Hose, Vinyl 12.5 Ft.	45V09		Off/On w/25 Ft. leads	SW2-25
	Handle for 24HP only	105Z55		Gas Hose, Braided 12.5 Ft.	45V09R			
20	Handle, Ribbed	H100R		Gas Hose, Vinyl 25 Ft.	45V10			
	Handle, Ribbed for 24HP only	105Z55R		Gas Hose, Braided 25 Ft.				
21	Rubber Boot for SW1 & SW1F	BS-1	27	Water Hose, Vinyl 12.5 Ft.	45V07			
	Switch			Water Hose, Braided 12.5 Ft.	45V07R			
	Rubber Boot for SW2 Switch	BS-2		Water Hose, Vinyl 25 Ft.	45V08			
21A	Snap-on Boot for SW1 & SW1F	BS-1S		Water Hose, Braided 25 Ft.	45V08R			
	Snap-on Boot for SW2-0	BS-2S	28	Hose Clamp	53N04			

TIG

34

26, V, F, FV, HP, HPV 200 AMP AIR-COOLED



ACCESSORY KIT		HOOK-UP KITS		EXTENSION KITS	
Accessory Kit	AK-3	12.5 Ft. Air Cooled Vinyl	HK-2	12.5 Ft. Air Cooled Vinyl	EK-26-12
Master Accessory Kit	MAK-2S	12.5 Ft. Air Cooled Vinyl	HK-3	12.5 Ft. Air Cooled Rubber	EK-26-12-R
		12.5 Ft. Air Cooled Rubber	HK2R	25 Ft. Air Cooled Vinyl	EK-26-25
		12.5 Ft. Air Cooled Rubber	HK3R	25 Ft. Air Cooled Rubber	EK-26-25-R

TIG

BASIC TORCH SPECIFICATIONS

BASIC TORCH SPECIFICATIONS

26,26V,26F,26FV,26FVB,26HP,26HPV	
CAPACITY:	200 Amp
ELECTRODE RANGE:	.020-5/32" (.5-2.4)
BODY LENGTH:	9-0 in. (229mm)
HEAD LENGTH:	
w/short back cap:	1-7/8" (48mm)
w/med. back cap:	5-3/8" (136mm)
w/long back cap:	3-5/8" (92mm)
HEAD ANGLE:	60 degree or Flex
HEAD DIAMETER:	7/8" (22mm)
WEIGHT:	
(head with handle):	7.7 oz. (216gm)

LEGEND F=Flex Torch FV=Flex Torch w/valve in handle FVB=Flex Torch w/valve in body
 HP=Hard Plastic torch HVB=Hard Plastic torch w/ valve V=Torch w/ Valve

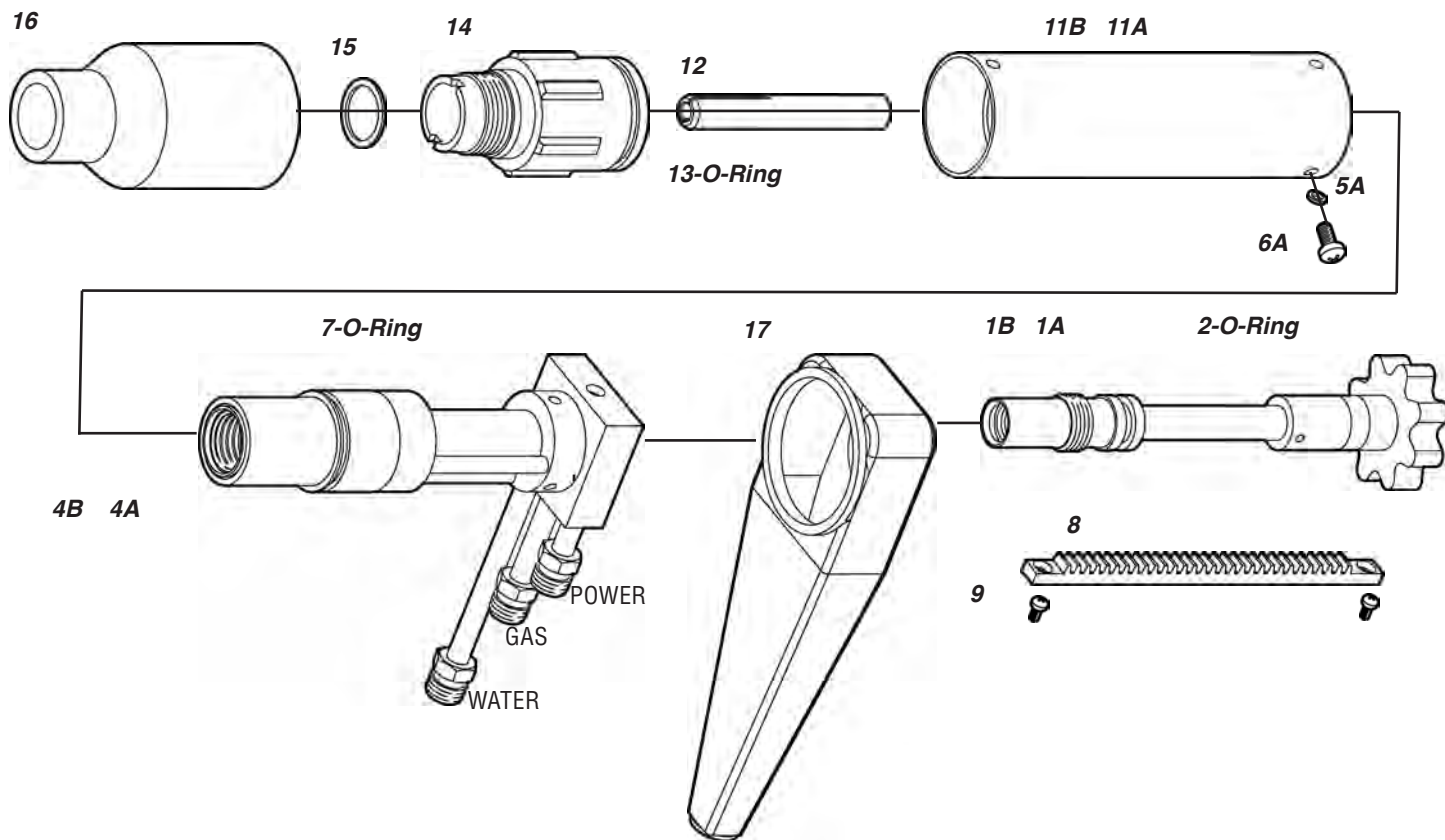
KEY	DESCRIPTION	PART NO.						
ELECTRODE DIAMETER		.020" 0.5mm	.040" 1.0mm	1/16" 1.6mm	3/32" 2.4mm	1/8" 3.2mm		
NOZZLE SIZE		#4	#5	#6	#7	#8	#10, #12, #15	
STANDARD SET-UP								
6	Gasket	18CG	18CG	18CG	18CG	18CG	18CG	
7	Collet	10N21	10N22	10N23	10N24	10N25	54N20	
8	Collet Body	10N26	10N30	10N31	10N32	10N28	406488	
9	Aluminum Nozzle	10N50	10N49	10N48	10N47	10N16	10N45 (10)	
10	Lava Nozzle	105Z43	105Z42	105Z44	105Z45	08N78	10N44(12) 08N79(10)	
11	Metal Sleeved Nozzle	10N56	10N55	10N54	10N53	10N52	10N51	
12	Long Alumina		10N49L	10N48L	10N47L			
12	Long Lava	12N03	105Z60	12N02	105Z61			
17CB SMALL COLLET BODY SET-UP								
13	Stubby Gasket	18CG20	18CG20	18CG20	18CG20	18CG20		
14	Stubby Collet	10N21S	10N22S	10N23S	10N24S	10N25S		
15	Stub. Col. Body	17CB20	17CB20	17CB20	17CB20	17CB20		
16	Alumina Nozzle	13N08	13N09	13N10	13N11	13N12	13N13(10)	
MED. GAS LENS SET-UP								
17	Med. GL Insulator	54N01	54N01	54N01	54N01	54N01	54N01	
7	Collet	10N21	10N22	10N23	10N24	10N25	54N20	
18	Med. Gas Lens	45V29	45V24	45V25	45V26	45V27	45V28	
18A	Med. GL Copper	45V29C	45V24C	45V25C	45V26C	45V27C	45V28C	
19	Alumina Nozzle	54N18	54N17	54N16	54N15	54N14	54N19*	
20	Lava Nozzle	54N35	54N34	54N33	54N32	54N31	54N36	
21	Long Lava		54N17L	54N16L	54N15L	54N14L		
LARGE GAS LENS SET-UP								
22	Lg. Dia. GL Insulator	54N63	54N63	54N63	54N63	54N63	54N63	
7	Collet	10N21	10N22	10N23	10N24	10N25	54N20	
23	Lg. Dia. Gas Lens	45V0204	45V0204	45V116	45V64	995795	45V63	
23A	Lg. Dia. Copper GL	45V0204C	45V0204C	45V116C	45V64C	995795C	45V63C	
24	Alumina Nozzle			57N75		57N74	53N87(12)	
Not recommended for use with high frequency current.							53N88(10)	
							53N89*(15)	

KEY	DESCRIPTION	PART NO.
1	Back Cap, Long	57Y02
1A	Back Cap, Medium	300M
2	Back Cap, Short	57Y04
3	O-Ring	98W18
4	Back Insulator	18-7
5	Torch Body	26.26F,26HP
5A	Torch Body	26V,26HPV
5B	Torch Body	26FV
5C	Torch Body	26FVB
6	Gasket/Insulator	18CG
7	Collet	See Chart
8	Collet Body	See Chart
9	Nozzle	See Chart
10	Nozzle	See Chart
11	Nozzle	See Chart
12	Nozzle	See Chart
13	Gasket/Insulator	18CG20
14	Stubby Collet	See Chart
15	Stubby Collet Body	17CB20
16	Nozzle	See Chart
17	Insulator	54N01
18	Medium Gas Lens	See Chart
18A	Medium Copper Gas Lens	See Chart
19	Nozzle	See Chart
20	Nozzle	See Chart
21	Nozzle	See Chart
22	Lg. Dia. GL Insulator	See Chart
23	Lg. Dia. Gas Lens	See Chart
23A	Lg. Copper Gas Lens	See Chart
24	Nozzle	See Chart
25	Valve Stem for 26V,26FVB	VS-1
26	O-Ring for VS-1	VS-0
27	Valve Knob Stem for 26FV	VSF-2
28	O-Ring for VSF-2	VSF-0
29	Handle, Smooth	H200
30	Handle for 26HP only	54N84
	Handle, Ribbed	H200R
	Handle, Ribber for 26HP	54N84R
31	Rubber Boot for SW1 & SW1F	BL-1
32	Rubber Boot for SW2-0	BL-2
	Snap on Boot for SW1 & SW1F	BL-1S
	Snap on Boot for SW2-0	BL-2S
33	Power Cables	
	1 p.c. Vinyl 12.5 Ft.	46V28
	1 p.c. Rubber 12.5 Ft.	46V28-R
	1 p.c. Vinyl 25 Ft.	46V30
	1 p.c. Rubber 25 Ft.	46V30-R
34	2 pc. w/Braided Gas 12.5 Ft.	46V28-2
	2 pc. w/Braided Gas 25 Ft.	46V30-2
35	Cable Cover 3" x 10 Ft.	CC-3-10
	3" x 10 Ft. Heavy Duty	CC-3-10HD
	Cable Cover 3" x 22Ft.	CC-4-22
36	3" x 22 Ft. Heavy Duty	CC-4-22HD
	Power Adapter	45V62
37	Switch, Momentary	SW1
	Bulb w/6 in. leads	SW1-12
	Bulb w/12.5 Ft. leads	SW1-25
	Bulb w/25 Ft. leads	SW1F
	Flat w/6 in. leads	SW1F-12
38	Flat w/12.5 Ft. leads	SW1F-25
	Flat w/25 Ft. leads	
39	Lever Switch	SW4
	Lever w/12.5 Ft. leads	SW4-12
	Lever w/25 Ft. leads	SW4-25
39	Switch, Off/On w/6 in. leads	SW2-0
	Off/On w/12.5 Ft. leads	SW2-12
	Off/On w/25 Ft. leads	SW2-25

TIG

36

27A, B, 500 AMP WATER-COOLED



ACCESSORY KIT

Accessory Kit
 Contains: AK-27
 3 collets, 3 gas lens collet bodies,
 5 Alumina nozzles, 3 tungsten electrodes & 2 ea. O-Rings

TIG

BASIC TORCH SPECIFICATIONS

BASIC TORCH SPECIFICATIONS

	27A	27B
CAPACITY:	500 Amp	500 Amp
ELECTRODE RANGE:	.040-1/4"	.040-1/4"
BODY LENGTH:		
from shaft knob to end of nozzle	9" (22.8cm)	20" (50.8cm)
HEAD ANGLE:	180 degrees	180 degrees
BARREL DIAMETER:		
WEIGHT:		
w/Torch, barrel, gas lens	24 oz. (746.5 grams)	36 oz. (1119.7 grams)
COOLING REQUIREMENTS:		2 qt/min (1.9l/min) Max. Pressure: 50 PSI (345 KPa)

NOTES

--

KEY DESCRIPTION PART NO.

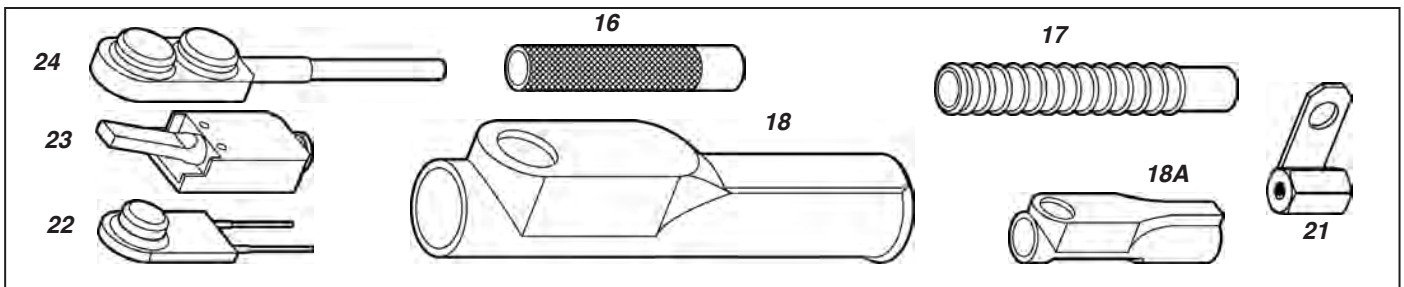
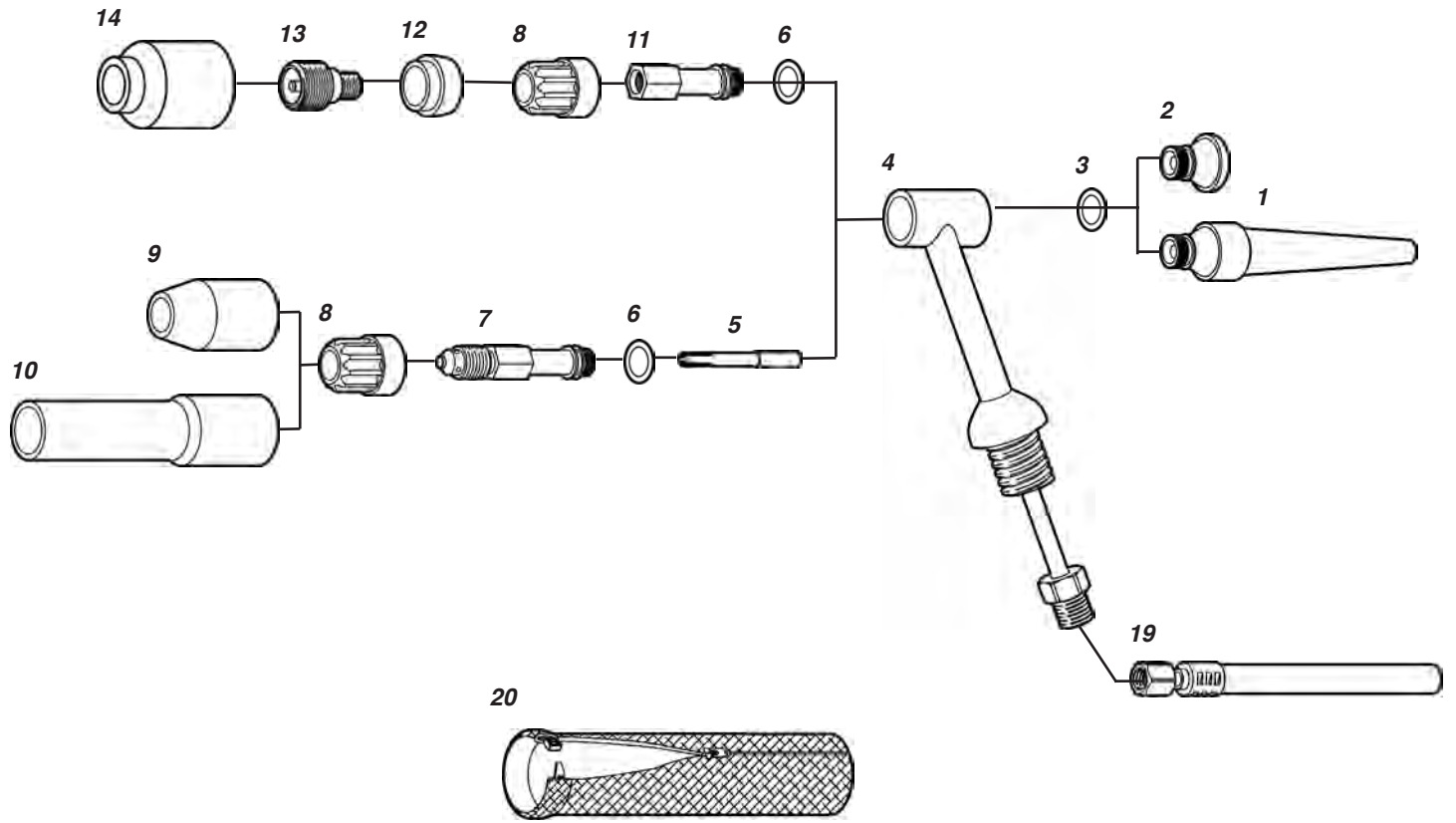
ELECTRODE DIAMETER	.040" 1.0mm	1/16" 1.6mm	3/32" 2.4mm	1/8" 3.2mm	5/32" 4.0 mm	3/16" 4.8 mm	1/4" 6.4 mm
NOZZLE SIZE	#5	#6	#7	#10,#12,#8	#10,#12,#15	#10,#12,#15	#10,#12,#15
12 Collet	57N45	57N46	57N47	57N48	57N49	57N50	57N51
14 Gas Lens	49V22	49V23	49V24	49V25	49V26	49V27	49V28
15 Gasket	57N56	57N56	57N56	57N56	57N56	57N56	57N56
16 Alumina Nozzle		57N75		57N74	53N88(10) 53N57(12) 53N89*(15)	53N88(10) 53N57(12) 53N89*(15)	53N88(10) 53N57(12) 53N89*(15)

KEY	DESCRIPTION	PART No.	KEY	DESCRIPTION	PART No.
1A	Shaft Assy. "A" model incl. shaft, knob, 1 ea. 27-13-2 & 27-13-3 O-Rings	27-13A	16	Alumina Nozzle	See Chart
1B	Shaft Assy. "B" model incl. shaft, knob, 1 ea. 27-13-2 & 27-13-3 O-Rings	27-13B	17	Insulating Boot	27-12
2	O-Ring	27-13-2	18	Water Hoses	40V83R-3
3	O-Ring	27-13-3		3 Ft. (.9m)	40V83R
4A	Torch Body (9")	27A	19	12.5 Ft. (3.8m)	40V83RL
4B	incl. shaft Assy. barrel & boot			25 Ft. (7.6m)	
5	Torch Body (20")	27B		Power Cables	40V84R-3
6	incl. shaft Assy. barrel & boot			3 Ft. (.9m)	40V84R
6A	#6 bronze lock washer	27-11	20	12.5 Ft. (3.8m)	40V84RL
7	6-32x5/16" screw	27-10		Gas Hoses	
8	6-32x5/16" screw	27-19		3 Ft. (.9m)	40V82R-3
9	O-Ring	27-2-4		12.5 Ft. (3.8m)	40V82R
10	Barrel rack "B" model only	27R32	21	25 Ft. (7.6m)	40V82RL
11A	32 pitch (1/4" x 1/4" x 11")			Power Cable Adapter	
11B	Barrel rack "B" model only	27R24			
12	24 pitch (1/4" x 1/4" x 11")				
13	6-32x3/16" fillister head screw	18R-1			
14	Barrel Assy. "A" model incl: 3 ea 27-10 screws, 3 ea. 27-11 washers	27-10A			
15	Barrel Assy. "B" model incl: 3 ea 27-10 screws, 3 ea. 27-11 washers	27-10B			
	Barrel Assy. with rack holes	27-9B			
	Collet	See Chart			
	O-Ring	181W89			
	Gas Lens	See Chart			
	Gasket	57N56			



38

90HP (HW9) 110 AMP AIR-COOLED



ACCESSORY KIT

- | | |
|----------------------------|-------|
| 12.5 Ft. Air Cooled Vinyl | HK-2 |
| 12.5 Ft. Air Cooled Vinyl | HK-3 |
| 12.5 Ft. Air Cooled Rubber | HK-2R |
| 12.5 Ft. Air Cooled Rubber | HK-3R |

TIG

BASIC TORCH SPECIFICATIONS

	90HP (HW9)
CAPACITY:	110 Amp
ELECTRODE RANGE:	.020-1/16" (.5-1.6mm)
BODY LENGTH:	7-13/16" (198mm)
HEAD LENGTH:	
w/short back cap:	1-9/16" (40mm)
w/long back cap:	7-1/8" (181mm)
HEAD ANGLE:	60 degree
HEAD DIAMETER:	19/32" (15mm)
WEIGHT:	
(head with handle):	3.0 oz. (105 gm.)

NOTES

LEGEND HP=Hard Plastic torch

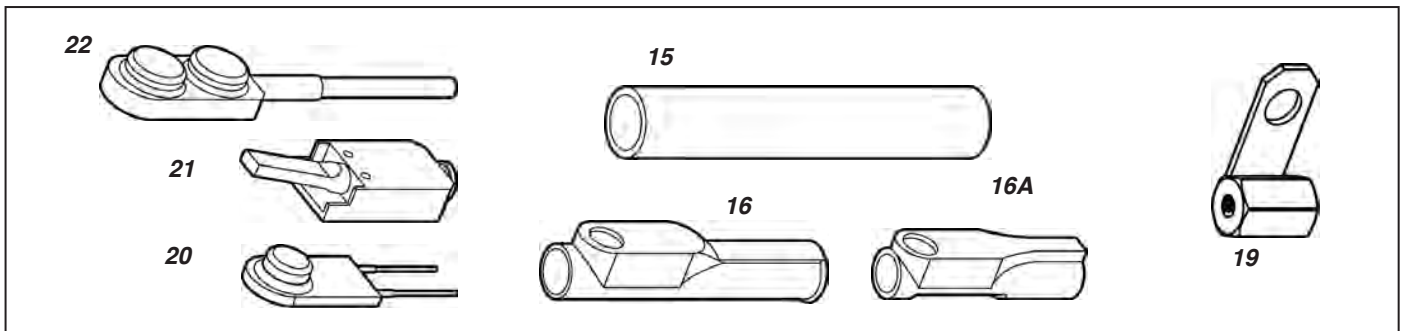
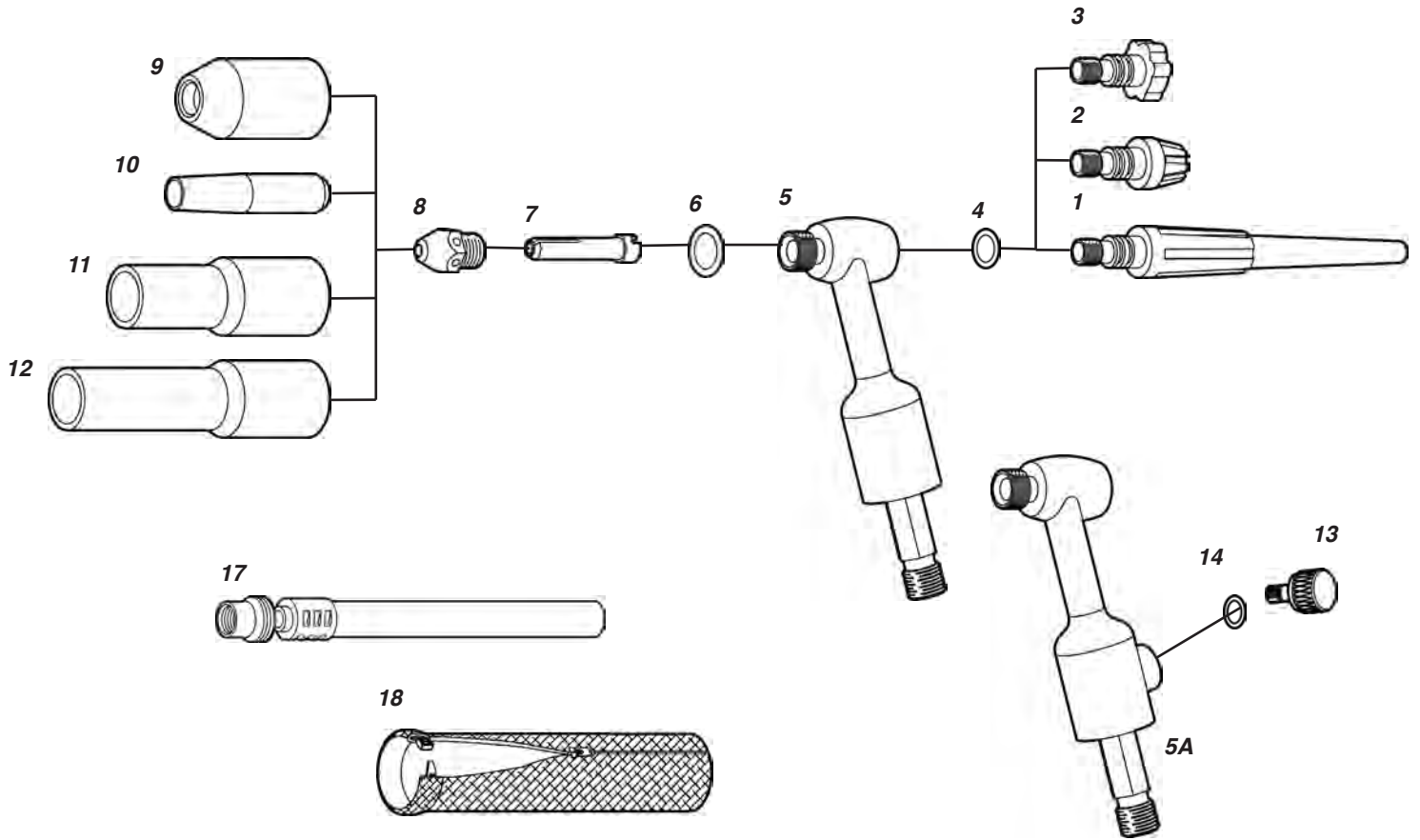
KEY	DESCRIPTION	PART NO.			
ELECTRODE DIAMETER		.020" 0.5mm	.040" 1.0mm	1/16" 1.6mm	3/32" 2.4mm
NOZZLE SIZE		#4	#5	#6	#7, #8
STANDARD SET-UP					
5	Collet	84Z34	84Z35	84Z33	
7	Collet Body	105Z27	105Z27	105Z27	
8	Insulator Sleeve	105Z26	105Z26	105Z26	
9	Alumina Nozzle	14N65	14N66	14N67	
	Lava Nozzle	84Z36	84Z37	84Z86	
10	Long Alumina	14N73	14N74	14N75	
SMALL GAS LENS SET-UP					
5	Collet	84Z34	84Z35	84Z33	
8	Insulator Sleeve	105Z26	105Z26	105Z26	
11	Adapter	45V52	45V52	45V52	
12	Insulator	53N85	53N85	53N85	
13	Small Gas Lens	45V41	45V42	45V43	
13A	Small Copper G/L	45V41C	45V42C	45V43C	
14	Alumina Nozzle	53N85	53N59	53N60	53N61(7)
					53N61S(8)

KEY	DESCRIPTION	PART No.	KEY	DESCRIPTION	PART No.
1	Back Cap, Long	56Y40		1 pc. Braided 12.5 Ft.	56Y38BR
2	Back Cap, Short	84Z31		1 pc. Rubber 12.5 Ft.	56Y38R
3	O-Ring	85W49		1 pc. Vinyl 25 Ft.	56Y97
4	Torch Body	90HP (HW9)		1 pc. Rubber 25 Ft.	56Y97R
5	Collet	See Chart	20	Cable Cover 3" x 10 Ft.	CC-3-10
6	O-Ring	85W49		3" x 10 Ft. Heavy Duty	CC-3-10HD
7	Collet Body	105Z27		Cable Cover 3" x 22Ft.	CC-4-22
8	Insulator Sleeve	105Z26		3" x 22 Ft. Heavy Duty	CC-4-22HD
9	Nozzle	See Chart	21	Power Cable Adapter	53N43
10	Nozzle	See Chart		Switch Momentary	
11	Gas Lens Adapter	45V52	22	Bulb w/6 in. leads	SW1
12	Insulator	53N85		Bulb w/12.5 Ft. leads	SW1-12
13	Small Gas Lens	See Chart		Bulb w/25 Ft. leads	SW1-25
13A	Small Copper G/L	See Chart		Flat w/6 in. leads	SW1F
14	Nozzle	See Chart		Flat w/12.5 Ft. leads	SW1F-12
16	Handle, Textured	105Z55		Flat w/25 Ft. leads	SW1F-25
17	Handle, Ribbed	105Z55R	23	Lever Switch	SW4
18	Rubber Boot for SW1 & SW1F	BS-1		Lever w/12.5 Ft. leads	SW4-12
	Rubber Boot for SW2-0	BS-2		Lever w/25 Ft. leads	SW4-25
18A	Snap-on Boot for SW1 & SW1F	BS-1S	24	Switch, Off/On w/6 in. leads	SW2-0
	Snap-on Boot for SW1 & SW1F	BS-2S		Off/On w/12.5 Ft. leads	SW2-12
19	Power Cables			Off/On w/25 Ft. leads	SW2-25
	1 pc. Vinyl 12.5 Ft.	56Y38			

TIG

40

A10HP, HPV 100 AMP AIR-COOLED



ACCESSORY KIT

Accessory Kit 2310-1957

HOOK-UP KITS

12.5 Ft. Air Cooled Vinyl HK-2
 12.5 Ft. Air Cooled Vinyl HK-3
 12.5 Ft. Air Cooled Rubber HK2R
 12.5 Ft. Air Cooled Rubber HK3R

EXTENSION KITS

Extension Kit EK-A10-25

TIG

BASIC TORCH SPECIFICATIONS

	A10HP, A10HPV
CAPACITY:	100 Amp
ELECTRODE RANGE:	.020-3/32" (.5-2.4mm)
BODY LENGTH:	8-1/16" (205mm)
HEAD LENGTH:	
w/short back cap:	1-0" (25mm)
w/med. back cap:	1-1/2" (38mm)
w/long back cap:	6-3/16" (157mm)
HEAD ANGLE:	60 degree
HEAD DIAMETER:	13/16" (21mm)
WEIGHT:	
(head with handle):	3.7 oz. (104 gm.)

NOTES

LEGEND

HP=Hard Plastic torch HPV=Hard Plastic torch w/valve

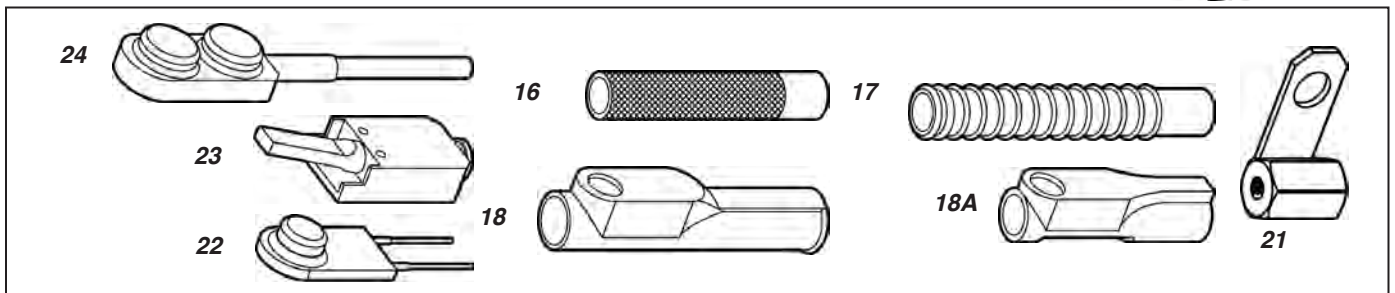
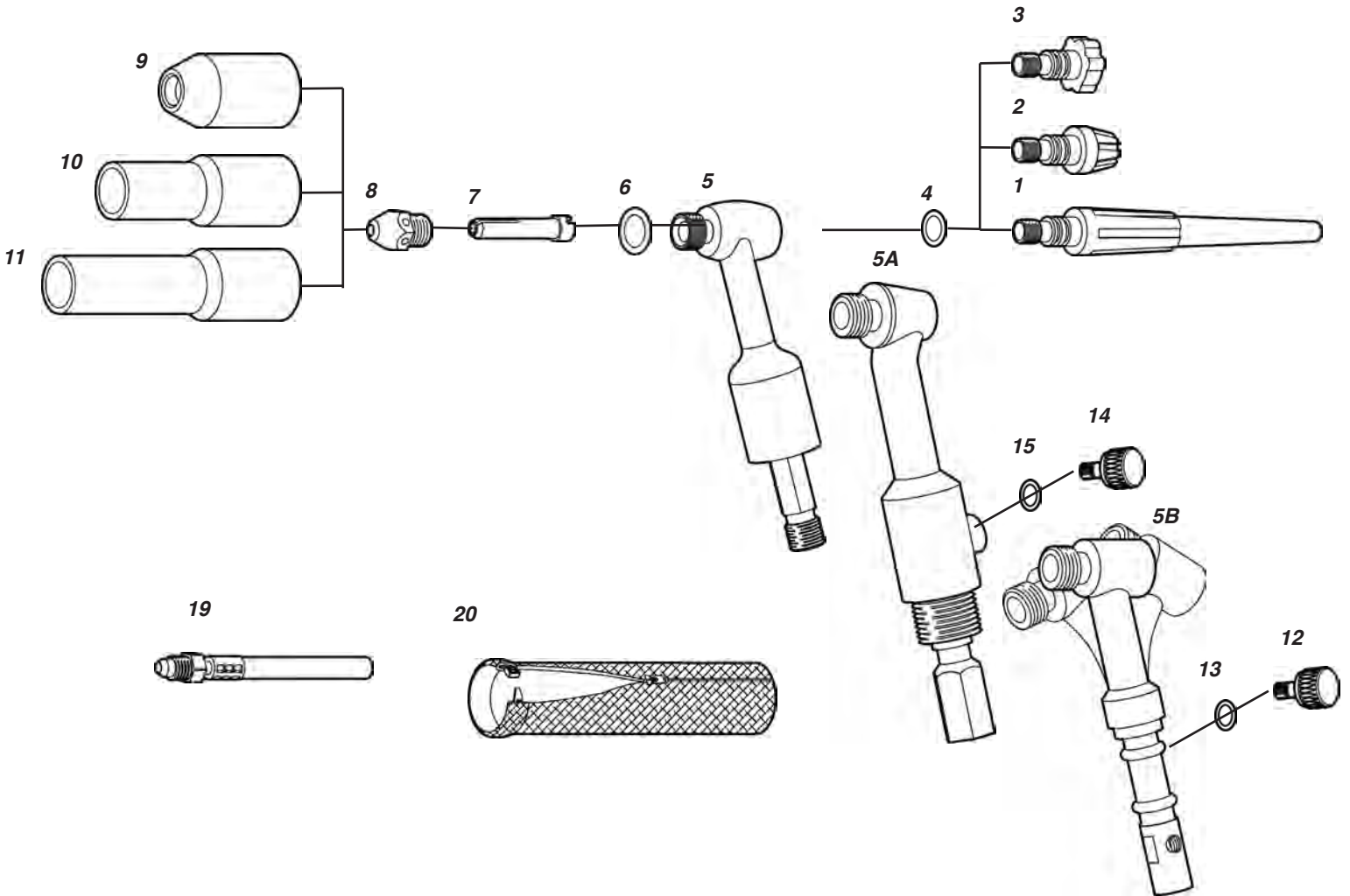
KEY	DESCRIPTION	PART NO.			
ELECTRODE DIAMETER		.020" 0.5mm	.040" 1.0mm	1/16" 1.6mm	3/32" 2.4mm
NOZZLE SIZE		#3,#4	#5	#6	#7
7	Collet	2304-0138	2304-0137	2304-0136	2304-0135
9	Alumina Noz. 1-1/8"	2304-0071	2304-0072		
10	Alumina Noz. 1-9/16"	2304-0069	2304-0070	2304-0073	2304-0074
10	Lava Nozzle 1-9/16"	2304-0002	2304-0004	2304-0049	2304-0050
11	Long Lava 2-1/16"	3L-A, 4L-A	5L-A	6L-A	
12	Extra Long 3-5/8"	3L-AX, 4L-AX	5L-AX	6L-AX	

KEY	DESCRIPTION	PART No.	KEY	DESCRIPTION	PART No.
1	Back Cap, Long	2304-0010	18	Cable Cover 3" x 10 Ft.	CC-3-10
2	Back Cap, Medium	2304-0009		3" x 10 Ft. Heavy Duty	CC-3-10HD
3	Back Cap, Short	2304-0008		Cable Cover 3" x 22Ft.	CC-4-22
4	O-Ring	2310-0040		3" x 22 Ft. Heavy Duty	CC-4-22HD
5	Torch Body	A10HP	19	Power Cable Adapter	2310-2101
5A	Torch Body	A10HPV		(Replaces 2310-1645)	
6	O-Ring	2310-0019		Switch, Momentary	
7	Collet	See Chart	20	Bulb w/6 in. leads	SW1
8	Nose Block	2310-1810		Bulb w/12.5 Ft. leads	SW1-12
9	Nozzle	See Chart		Bulb w/25 Ft. leads	SW1-25
10	Nozzle	See Chart		Flat w/6 in. leads	SW1F
11	Long Nozzle	See Chart		Flat w/12.5 Ft. leads	SW1F-12
12	X-Long Nozzle	See Chart		Flat w/25 Ft. leads	SW1F-25
13	Valve Knob Stem	VS10	21	Lever Switch	SW4
14	O-Ring for VS10	10V50		Lever w/12.5 Ft. leads	SW4-12
15	Handle, Smooth	2310-1841		Lever w/25 Ft. leads	SW4-25
16	Rubber Boot for SW1 & SW1F	BS-1	22	Switch, Off/On w/6 in. leads	SW2-0
	Rubber Boot for SW2-0	BS-2		Off/On w/12.5 Ft. leads	SW2-12
16A	Snap-on Boot for SW1 & SW1F	BS-1S		Off/On w/25 Ft. leads	SW2-25
	Snap-on Boot for SW2-0	BS-2S			
17	Power Cables				
	1 pc. Rubber 12.5 Ft.	2310-1845			
	1 pc. Rubber 25 Ft.	2310-1844			

TIG

42

A16F, FV, HP, HPV 160 AMP AIR-COOLED



ACCESSORY KIT

Accessory Kit	2310-1958
Master Accessory Kit	MAK-A2S

HOOK-UP KITS

12.5 Ft. Air Cooled Vinyl	HK-2
12.5 Ft. Air Cooled Vinyl	HK-3
12.5 Ft. Air Cooled Rubber	HK2R
12.5 Ft. Air Cooled Rubber	HK3R

EXTENSION KITS

25 Ft. Air Cooled Rubber	EK-A16-25
--------------------------	-----------

TIG

BASIC TORCH SPECIFICATIONS

BASIC TORCH SPECIFICATIONS

A16F, A16FV, A16HP, A16HPV	
CAPACITY:	160 Amp
ELECTRODE RANGE:	.020-1/8" (.5-3.2mm)
BODY LENGTH:	8-5/32" (207mm)
HEAD LENGTH:	
w/short back cap:	1-9/32" (33mm)
w/med. back cap:	1-3/4" (44mm)
w/long back cap:	5-31/32" (152mm)
HEAD ANGLE:	60 degree
HEAD DIAMETER:	1" (25mm)
WEIGHT:	
(head with handle):	6.9 oz. (246 gm.)

NOTES

LEGEND F=Flex Torch FV=Flex Torch w/valve in handle HP=Hard Plastic torch HPV=Hard Plastic torch w/ valve

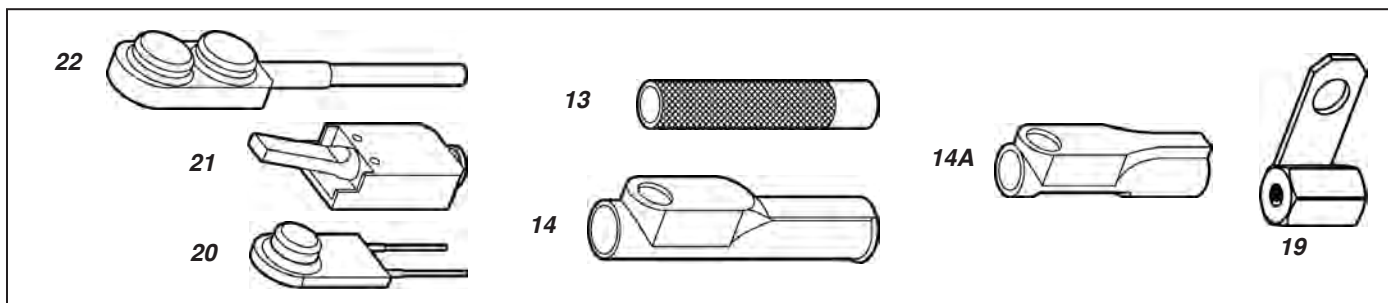
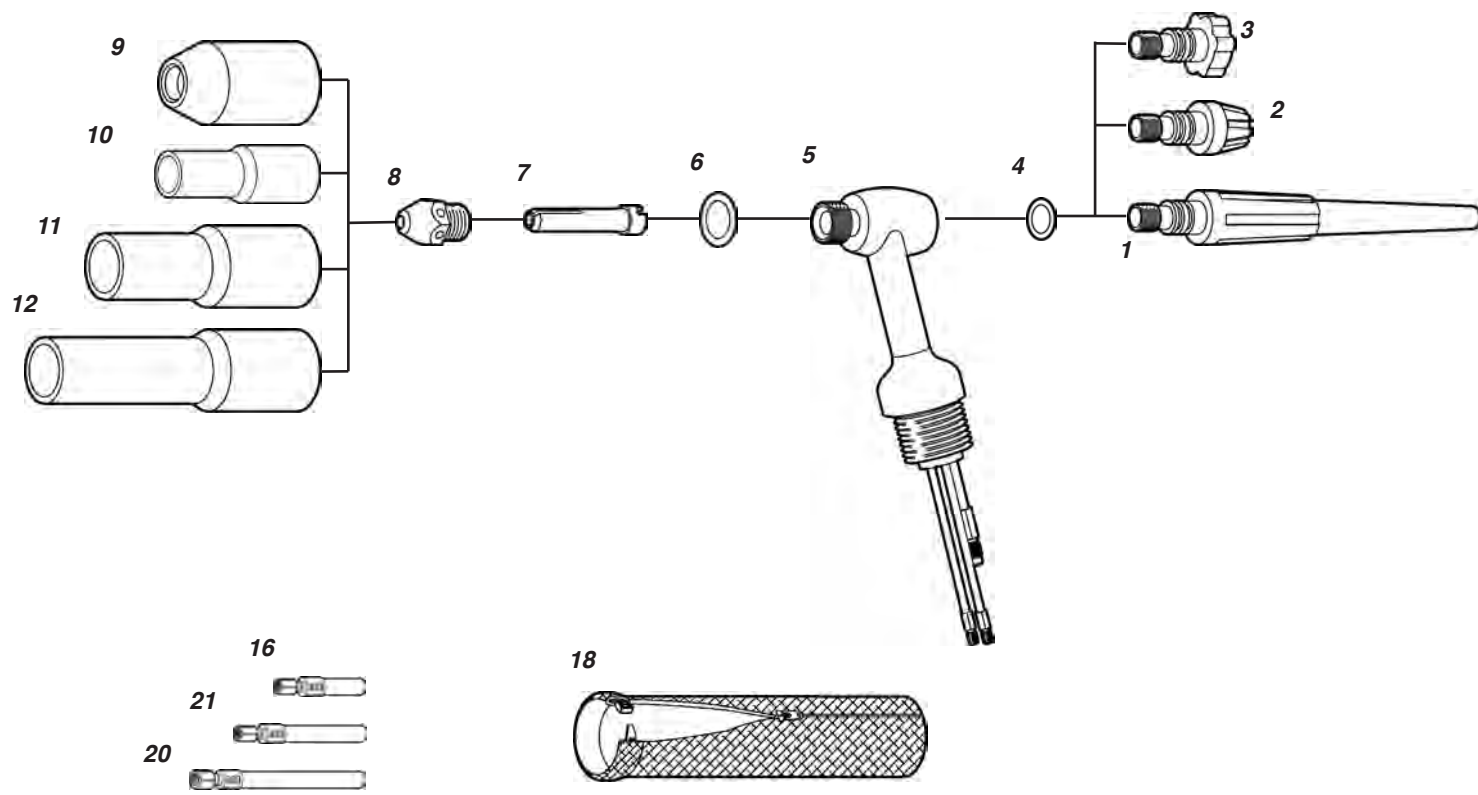
KEY	DESCRIPTION	PART NO.			
ELECTRODE DIAMETER		.020" 0.5mm	.040" 1.0mm	1/16" 3/32"	1/8" 3.2mm
NOZZLE SIZE		#3,#4	#5	#6	#8
7	Collet	2304-0086	2304-0087	2304-0088 2304-0089	2304-0090
9	Alumina Noz. 1-1/4"	2304-0084 (4)			2304-0085
9	Lava Nozzle 1-1/4"	2304-0084C (4)			2304-0085C
10	Alumina Noz. 1-5/8"	2304-0079 (4)	2304-0080	2304-0081	2304-0082
10	Lava Nozzle 1-5/8"	2304-0079C (4)	2304-0080C	2304-0081C	2304-0082C
11	Long Lava Noz. 3"	3L 4L-79	5L-80	6L-81	8L82

KEY	DESCRIPTION	PART No.	KEY	DESCRIPTION	PART No.
1	Back Cap, Long	2304-0145	19	Power Cables	
2	Back Cap, Medium	2304-0144		1 pc. Rubber 12.5 Ft.	2310-1853
3	Back Cap, Short	2304-0143		1 pc. Rubber 25 Ft.	2310-1854
4	O-Ring	2310-0040	20	Cable Cover 3" x 10 Ft.	CC-3-10
5	Torch Body	A16HP		3" x 10 Ft. Heavy Duty	CC-3-10HD
5A	Torch Body	A16HPV		Cable Cover 3" x 22Ft.	CC-4-22
5B	Torch Body	A16FA16FV		3" x 22 Ft. Heavy Duty	CC-4-22HD
6	Gasket/O-Ring	2310-0733	21	Power Cable Adapter	2310-1879
7	Collet	See Chart	22	Switch, Momentary	
8	Nose Block	2310-1938		Bulb w/6 in. leads	SW1
9	Nozzle	See Chart		Bulb w/12.5 Ft. leads	SW1-12
10	Nozzle	See Chart		Bulb w/25 Ft. leads	SW1-25
11	Long Nozzle	See Chart		Flat w/6 in. leads	SW1F
12	Valve Knob Stem for A16FV	VSF-2		Flat w/12.5 Ft. leads	SW1F-12
13	O-Ring for VSF-2	VSF-0		Flat w/25 Ft. leads	SW1F-25
14	Valve Knob Stem for A16HPV	VS-16	23	Lever Switch	SW4
15	O-Ring for VS-16	VS-16-0		Lever w/12.5 Ft. leads	SW4-12
16	Handle, Smooth	2310-1862		Lever w/25 Ft. leads	SW4-25
17	Handle, Ribbed	2310-1862R	24	Switch, Off/On w/6 in. leads	SW2-0
	Handle for A16F/FV only	H200		Off/On w/12.5 Ft. leads	SW2-12
18	Rubber Boot for SW1 & SW1F	BL-1		Off/On w/25 Ft. leads	SW2-25
	Rubber Boot for SW2-0	BL-2			
18A	Snap-on Boot for SW1 & SW1F	BL-1S			
	Snap-on Boot for SW2-0	BL-2S			

TIG

44

A20HP / 200 AMP WATER-COOLED



ACCESSORY KIT

Accessory Kit	2310-1957
Master Accessory Kit	MAK-A1S

HOOK-UP KITS

12.5 Ft. Water Cooled Rubber	HK-A20
------------------------------	--------

EXTENSION KITS

25 Ft. Water Cooled Rubber	EK-A20-25
----------------------------	-----------

TIG

BASIC TORCH SPECIFICATIONS

BASIC TORCH SPECIFICATIONS

A20HP	
CAPACITY:	200 Amp
ELECTRODE RANGE:	.020-3/32" (.5-2.4mm)
BODY LENGTH:	7-3/16" (183mm)
HEAD LENGTH:	
w/short back cap:	1-0" (25mm)
w/med. back cap:	1-1/2" (38mm)
w/long back cap:	6-3/16" (157mm)
HEAD ANGLE:	60 degree
HEAD DIAMETER:	13/16" (21mm)
WEIGHT:	
(head with handle):	3.7 oz. (104 gm.)

NOTES

LEGEND HP=Hard Plastic torch

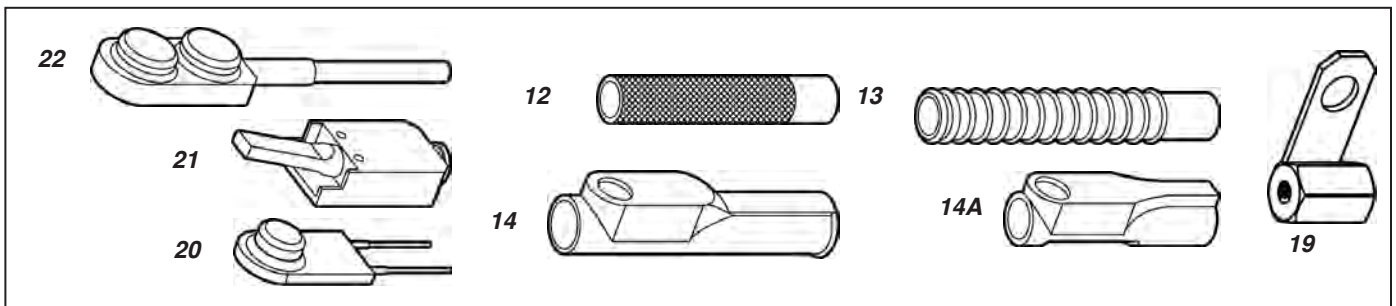
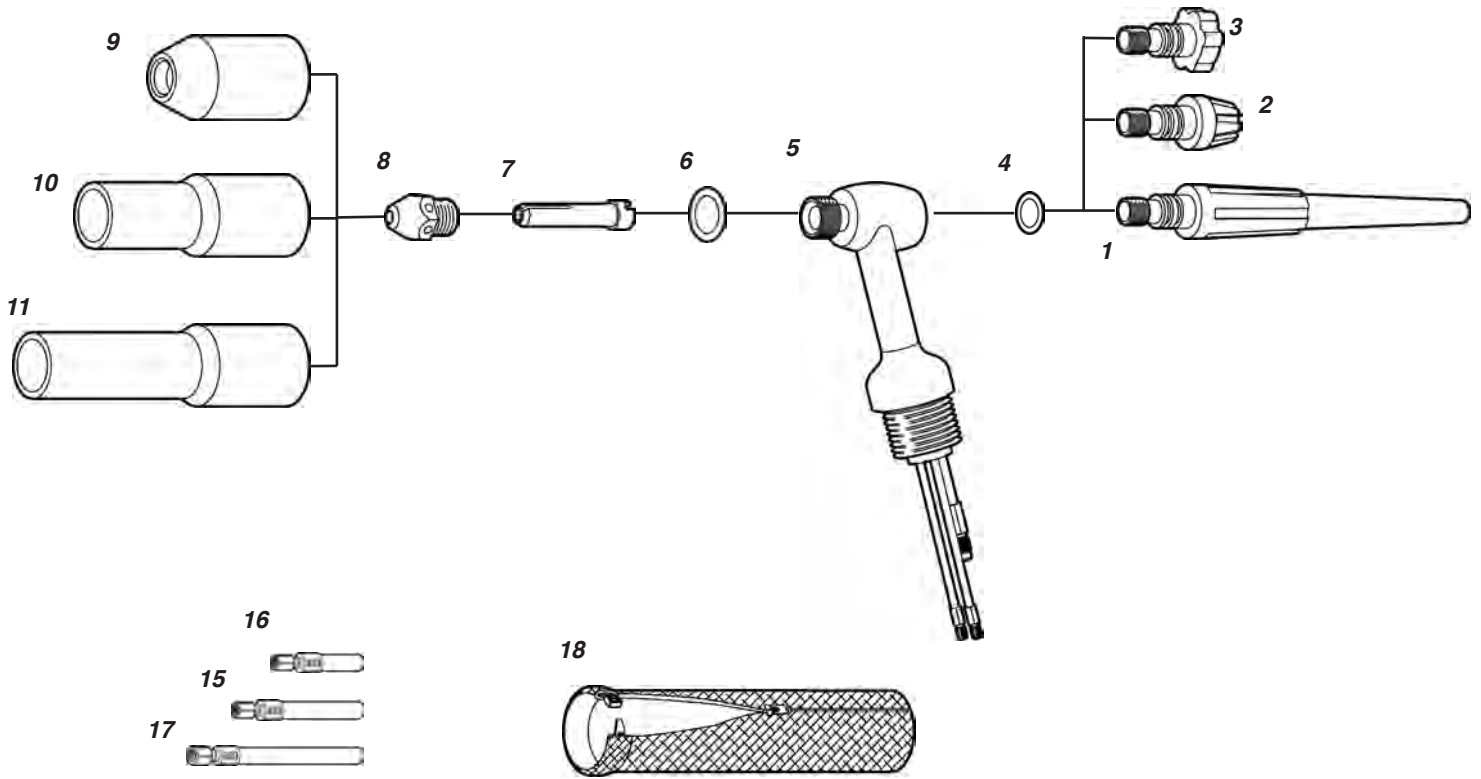
KEY	DESCRIPTION	PART NO.				
ELECTRODE DIAMETER		.020" 0.5mm	.040" 1.0mm	1/16" 1.6mm	3/32" 2.4mm	1/8" 3.2mm
NOZZLE SIZE		#3,#4	#5	#6	#7	#8
7	Collet	2304-0138	2304-0137	2304-0136	2304-0135	2304-0068
9	Alum. Noz. 1-1/8"	2304-0071(4)	2304-0072			
9	Lava Noz. 1-1/8"	2304-0005(4)	2304-0023			
10	Alum. Noz. 1-9/16"	2304-0069(4)	2304-0070	2304-0073	2304-0074	
10	Lava Noz. 1-9/16"	2304-0002(4)	2304-0004	2304-0049	2304-0050	
11	Long Lava 2-1/16"	3L-A 4L-A	5L-A	6L-A		
12	Extra Long 3-5/8"	3L-AX 4L-AX	5L-AX	6L-AX		

KEY	DESCRIPTION	PART No.	KEY	DESCRIPTION	PART No.
1	Back Cap, Long	2304-0010	17	Water Hose, 12.5 Ft. Rubber	2310-1808
2	Back Cap, Medium	2304-0009		Water Hose, 25 Ft. Rubber	2310-1807
3	Back Cap, Short	2304-0008	18	Cable Cover 3" x 10 Ft.	CC-3-10
4	O-Ring	2310-0040		3" x 10 Ft. Heavy Duty	CC-3-10HD
5	Torch Body	A20HP		Cable Cover 3" x 22 Ft.	CC-3-22
6	O-Ring	2310-0019		3" x 22 Ft. Heavy Duty	CC-3-22HD
7	Collet	See Chart		Cable Cover 4" x 10 Ft.	CC-4-10
8	Nose Block	2310-1810	19	Heavy Duty	CC-4-10HD
9	Nozzle	See Chart		Cable Cover 4" x 22 Ft.	CC-4-22
10	Nozzle	See Chart		4" x 22 Ft. Heavy Duty	CC-4-22HD
11	Long Nozzle	See Chart	19	Power Cable Adapter	2310-1824
12	X-Long Nozzle	See Chart	20	Switch, Momentary	SW1
13	Handle, Smooth	2310-1815		Bulb w/6 in. leads	
14	Rubber Boot for SW1 & SW1F	BL-1		Bulb w/12.5 Ft. leads	
14A	Rubber Boot for SW2-0	BL-2		Bulb w/25 Ft. leads	
15	Power Cables	BL-1S BL-2S		Flat w/6 in. leads	
	1 pc. Rubber 12.5 Ft.	2310-1817	Flat w/12.5 Ft. leads	SW1-12	
	1 pc. Rubber 25 Ft.	2310-1818	Flat w/25 Ft. leads	SW1-25	
16	Gas Hose, 12.5 Ft. Rubber	2310-1806	21	Lever Switch	SW4
	Gas Hose, 25 Ft. Rubber	2310-1805		Lever w/12.5 Ft. leads	SW4-12
				Lever w/25 Ft. leads	SW4-25
			22	Switch, Off/On w/6 in. leads	SW2-0
				Off/On w/12.5 Ft. leads	SW2-12
				Off/On w/25 Ft. leads	SW2-
			25		

TIG

46

A35HP / 350 AMP WATER-COOLED



ACCESSORY KIT

Accessory Kit	2310-1958
Master Accessory Kit	MAK-A2S

HOOK-UP KITS

12.5 Ft. Water Cooled Rubber	HK-A35
------------------------------	--------

EXTENSION KITS

25 Ft. Water Cooled Rubber	EK-A35-25
----------------------------	-----------

TIG

TIG Index

Symbols

024	8
08N78	5, 25, 27, 35
08N79	5, 25, 27, 35
08N80	5, 27
105Z26	8, 39
105Z27	7, 39
105Z42	5, 25, 27, 35
105Z43	5, 25, 27, 35
105Z44	5, 25, 27, 35
105Z45	5, 25, 27, 35
105Z55	8, 21, 25, 33, 39
105Z55R	8, 21, 25, 33, 39
105Z57	10, 21, 25, 33
105Z59	5
105Z60	5, 25, 27, 35
105Z61	6, 25, 27, 35
10N15	8, 27
10N15R	8, 27
10N16	35
10N18	12
10N20L	29
10N21	6, 18, 25, 27, 35
10N21L	29
10N21S	6, 25, 27, 35
10N22	6, 18, 25, 27, 35
10N22L	29
10N22S	6, 25, 27, 35
10N23	6, 18, 25, 27, 35
10N23L	29
10N23S	6, 25, 27, 35
10N24	6, 18, 25, 27, 35
10N24L	29
10N24S	6, 25, 27, 35
10N25	6, 18, 25, 27, 35
10N25S	6, 27, 35
10N26	35
10N28	7, 18, 25, 27, 35
10N29	7, 18, 25, 27
10N30	7, 18, 25, 27, 35
10N31	7, 25, 27, 35
10N32	7, 25, 27, 35

10N44	5, 25, 27, 35
10N45	5, 25, 27, 35
10N46	5, 25, 27
10N47	18, 25, 27, 35
10n47	5
10N47L	25, 27, 35
10N48	18, 25, 27, 35
10n48	5
10N48L	25, 27, 35
10n48L	5
10N49	18, 25, 27, 35
10n49	5
10N49L	25, 27, 35
10n49L	5
10N50	25, 27, 35
10n50	5
10N51	25, 27, 35
10N52	25, 27, 35
10N53	25, 27, 35
10N54	25, 27, 35
10N55	25, 27, 35
10N56	25, 27, 35
10V50	41
11GL16	23
11GL18	23
11GL32	23
11GL36	23
11GL53	23
11N17	12
11N18	12
11N19	12
11N19IS	13
11N22	12
11N37	12
11N37R	12
11N38	12
11N38R	12
11N83	12
11WP65	11, 23
12	2, 16, 22, 23
12-12	16
12-25	16
12GLG	23
12MNG	23
12N01	6
12N02	6, 25, 27, 35
12N03	6, 25, 27, 35
12NG	23
13N08	5, 21, 25, 27, 29, 31, 35

13N09	5, 21, 25, 27, 29, 31, 35
13N10	21, 25, 27, 29, 31, 35
13n10	5
13N11	21, 25, 27, 29, 31, 35
13n11	5
13N12	21, 25, 27, 29, 31, 35
13n12	5
13N13	21, 25, 27, 29, 35
13n13	5
13N14	6, 21, 29, 31
13N15	6, 21, 29, 31
13N16	6, 21, 29, 31
13N17	6, 21, 29, 31
13N18	6, 21, 29
13N181	31
13N19	6, 21, 29, 31
13N20	6, 21, 29
13N20L	6, 21, 29
13N21	6, 21, 29
13N21L	6, 21, 29
13N22	6, 21, 29
13N22L	6, 21, 29
13N23	6, 21, 29
13N23L	6, 21, 29
13N24	6, 21, 29
13N24L	21, 29
13N25	7, 21, 29, 31
13N26	7, 21, 29, 31
13N27	7, 21, 29, 31
13N28	7, 21, 29, 31
13N29	7, 21, 29, 31
14N57	23
14n57	5
14N58	23
14n58	5
14N59	23
14n59	5
14N60	23
14n60	5
14N61	23
14n61	5
14N61-10	23
14n61-10	5
14N61-12	23
14n61-12	5
14n62	5

14N63	5
14n64	5
14N65	39
14n65	5
14N66	39
14n66	5
14N67	39
14n67	5
14N68	23
14N69	23
14n69	5
14N70	23
14n70	5
14N71	5, 23
14N72	23
14n72	5
14N73	39
14N74	39
14n74	5
14N75	5, 39
15T	12
15T16	12
16T	12
17	2, 14, 24, 25
17-12-1	14
17-12-2	14
17-12-R	14
17-25-1	14
17-25-2	14
17-25-R	14
17CB20	7, 25, 27, 35
17CB21	7
17CB22	7
17CB23	7
17CB24	7
17F	14, 25
17F-12-1	14
17F-12-2	14
17F-12-R	14
17F-25-1	14
17F-25-2	14
17F-25-R	14
17FV	14, 25
17FV-12-1	14
17FV-12-2	14
17FV-12-R	14
17FV-25-1	14
17FV-25-2	14
17FV-25-R	14
17FVB	14, 25

17FVB-12-1.....	14	18T.....	12	22N21B.....	6, 31	2304-0088.....	7, 43, 47
17FVB-12-2.....	14	18V.....	16, 27	22N21BL.....	6, 31	2304-0089.....	7, 43, 47
17FVB-12-R.....	14	18V-12.....	16	22N22A.....	6, 31	2304-0090.....	7, 43, 47
17FVB-25-1.....	14	18V-12-R.....	16	22N22AL.....	6, 31	2304-0091.....	7, 47
17FVB-25-2.....	14	18V-25.....	16	22N22B.....	6, 31	2304-0135.....	7, 41, 45
17FVB-25-R.....	14	18V-25-R.....	16	22N22BL.....	6, 31	2304-0136.....	7, 41, 45
17HP.....	14, 25	20.....	2, 16, 28, 29	22N23A.....	6, 31	2304-0137.....	7, 41, 45
17HP-12-1.....	14	20-12.....	16	22N23AL.....	6, 31	2304-0138.....	7, 41, 45
17HP-12-2.....	14	20-12-R.....	16	22N23B.....	6, 31	2304-0143.....	8, 43, 47
17HP-12-R.....	14	20-25.....	16	22N23BL.....	6, 31	2304-0144.....	8, 43, 47
17HP-25-1.....	15	20-25-R.....	16	22N24A.....	7, 31	2304-0145.....	8, 43, 47
17HP-25-2.....	15	20EXT.....	2	22N24AL.....	7, 31	2304-0146.....	7, 47
17HP-25-R.....	15	20F.....	2, 16, 29	22N24B.....	7, 31	2304-0182.....	5
17HPV.....	15, 25	20F-12.....	16	22N24BL.....	7, 31	2304-0183.....	5
17HPV-12-1.....	15	20F-12-R.....	16	2304-0002.....	6, 41, 45	2304-0184.....	5
17HPV-12-2.....	15	20F-25.....	16	2304-0004.....	6, 41, 45	2304-0186.....	5
17HPV-12-R.....	15	20F-25-R.....	16	2304-0005.....	6, 45	2304-0190.....	5
17HPV-25-1.....	15	20FHD.....	2, 16, 29	2304-0008.....	8, 41, 45	2304-0192.....	5
17HPV-25-2.....	15	20FHD-12.....	16	2304-0009.....	8, 41, 45	2304-0194.....	5
17HPV-25-R.....	15	20FHD-25.....	16	2304-0010.....	8, 41, 45	2304-0195.....	5
17T.....	12	20HD.....	2, 16, 28, 29	2304-0023.....	45	2310-0019.....	8, 41, 45
17V.....	14, 25	20HD-12.....	16	2304-0049.....	6, 41, 45	2310-0040.....	8, 41, 43, 45, 47
17v-12-1.....	14	20HD-25.....	16	2304-0050.....	6, 41, 45	2310-0695.....	9
17V-12-2.....	14	20HP.....	16, 29	2304-0068.....	7, 45	2310-0696.....	9
17V-12-R.....	14	20HP-12.....	16	2304-0069.....	5, 41, 45	2310-0697.....	9
17V-25-1.....	14	20HP-12-R.....	16	2304-0070.....	5, 41, 45	2310-0733.....	8, 43, 47
17V-25-2.....	14	20HP-25.....	16	2304-0071.....	5, 41, 45	2310-0735.....	10, 11, 47
17V-25-R.....	14	20HP-25-R.....	16	2304-0072.....	5, 41, 45	2310-1805.....	9, 45
18.....	2, 16, 26, 27	20P.....	29	2304-0073.....	5, 41, 45	2310-1806.....	9, 45
18-12.....	16	22.....	2	2304-0074.....	5, 41, 45	2310-1807.....	9, 45
18-12-R.....	16	22-10.....	8, 31	2304-0075.....	5	2310-1808.....	9, 45
18-25.....	16	22-7.....	8, 31	2304-0076.....	5	2310-1810.....	7, 41, 45
18-25-R.....	16	22-8A.....	8, 31	2304-0077.....	5	2310-1815.....	8, 45
18-7.....	8, 25, 27, 35	22-8B.....	31	2304-0078.....	5	2310-1817.....	9, 45
18-90.....	26, 27	22-9.....	8, 31	2304-0079.....	5, 43, 47	2310-1818.....	9, 45
181W89.....	8, 37	22-N20A.....	31	2304-0079C.....	6, 43, 47	2310-1824.....	10, 45
18CG.....	8, 25, 27, 35	22A.....	16, 30, 31	2304-0080.....	5, 43, 47	2310-1841.....	9, 41
18CG20.....	8, 25, 27, 35	22A-12.....	16	2304-0080C.....	6, 43, 47	2310-1844.....	9, 41
18HP.....	16, 26, 27	22A-25.....	16	2304-0081.....	5, 43, 47	2310-1845.....	9, 41
18HP-12.....	16	22A-3.....	16	2304-0081C.....	6, 43, 47	2310-1853.....	9, 43
18HP-12-R.....	16	22B.....	16, 30, 31	2304-0082.....	5, 43, 47	2310-1854.....	9, 43
18HP-25.....	16	22B-12.....	16	2304-0082C.....	6, 43, 47	2310-1854S.....	9
18HP-25-R.....	16	22B-25.....	16	2304-0083.....	5, 47	2310-1856.....	9, 47
18P.....	2, 16, 27	22B-3.....	16	2304-0083C.....	6, 47	2310-1857.....	9, 47
18P-12.....	16	22N20A.....	6, 31	2304-0084.....	5, 43, 47	2310-1861.....	9
18P-25.....	16	22N20AL.....	6, 31	2304-0084C.....	6, 43	2310-1862.....	9, 43, 47
18PB.....	8, 27	22N20B.....	6, 31	2304-0085.....	5, 43, 47	2310-1862R.....	9, 43, 47
18R-1.....	8, 27, 31, 37	22N20BL.....	6, 31	2304-0085C.....	6, 43, 47	2310-1869.....	9, 47
18R24.....	8, 27	22N21A.....	6, 31	2304-0086.....	7, 43, 47	2310-1870.....	9, 47
18R32.....	8, 27	22N21AL.....	6, 31	2304-0087.....	7, 43, 47		

2310-1871.....	9, 47	24V-25-R.....	13	26FVB-25-R.....	15	3L-AX.....	41, 45
2310-1873.....	9, 47	24V-60D.....	13	26HP.....	15, 35	406488.....	7, 27, 35
2310-1879.....	10, 43	24V-90D.....	13	26HP-12-1.....	15	40V64.....	9, 27
2310-1938.....	7, 43, 47	24W.....	2, 15, 17, 32, 33	26HP-12-2.....	15	40V64R.....	9, 27
2310-1953.....	47	24W-12.....	15	26HP-12-R.....	15	40V74.....	9, 27
2310-1954.....	9, 47	24W-12-R.....	15	26HP-25-1.....	15	40V74R.....	9, 27
2310-1957.....	11, 40, 44	24W-25.....	15	26HP-25-2.....	15	40V75.....	9
2310-1958.....	11, 42, 46	24W-25-R.....	15	26HP-25-R.....	15	40V75R.....	9
2310-2101.....	41	24W-60.....	33	26HPV.....	15, 35	40V76.....	9
2310-2191.....	10	24W-60D.....	15	26HPV-12-1.....	15	40V76L.....	9
2389-3686.....	8	24W-90.....	33	26HPV-12-2.....	15	40V76LR.....	9
24.....	2, 32, 33	24W-90D.....	15	26HPV-12-R.....	15	40V76R.....	9
24-12-1.....	13	25.....	2, 16, 28, 29	26HPV-25-1.....	15	40V77.....	9
24-12-BR.....	13	25-12.....	16	26HPV-25-2.....	15	40V77L.....	9
24-12-R.....	13	25-12-R.....	16	26HPV-25-R.....	15	40V77LR.....	9
24-25-1.....	13	25-25.....	16	26V.....	15, 35	40V77R.....	9
24-25-R.....	13	25-25-R.....	16	26V-12-1.....	15	40V78.....	9
24-60D.....	13	250.....	28	26V-12-2.....	15	40V78L.....	9
24-90D.....	13	25P.....	16	26V-12-R.....	15	40V78LR.....	9
24C332.....	7, 33	25P-12.....	16	26V-25-1.....	15	40V78R.....	9
24CB332.....	7, 33	25P-12-R.....	16	26V-25-2.....	15	40V82R.....	9, 23, 37
24FHD.....	2, 10, 13, 17, 32, 33	25P-25.....	16	26V-25-R.....	15	40V82R-3.....	9, 37
24FHD-12-1.....	13	25P-25-R.....	16	27-10.....	12, 37	40V82RL.....	9, 23, 37
24FHD-12-2.....	13	26.....	15, 34	27-10A.....	9, 37	40V83R.....	9, 23, 37
24FHD-12-R.....	13	26-12-1.....	15	27-10B.....	9, 37	40V83R-3.....	9, 37
24FHD-25-1.....	13	26-12-2.....	15	27-11.....	12, 37	40V83RL.....	9, 23, 37
24FHD-25-2.....	13	26-12-R.....	15	27-12.....	8, 37	40V84R.....	23, 37
24FHD-25-R.....	13	26-25-1.....	15	27-13-2.....	8, 37	40V84R-3.....	37
24FVHD.....	13, 33	26-25-2.....	15	27-13-3.....	8, 37	40V84RL.....	37
24FVHD-12-1.....	13	26-25-R.....	15	27-13A.....	8, 37	40WP84.....	9, 23
24FVHD-12-2.....	13	26.26F.....	35	27-13B.....	8, 37	40WP84-L.....	9
24FVHD-12-R.....	13	26F.....	15	27-19.....	12, 37	40WP84L.....	23
24FVHD-25-1.....	13	26F-12-1.....	15	27-2-4.....	8, 37	41V24.....	8, 21, 29
24FVHD-25-2.....	13	26F-12-2.....	15	27-9B.....	9, 37	41V29.....	9, 27
24FVHD-25-R.....	13	26F-12-R.....	15	27A.....	2, 16, 36, 37	41V29R.....	9, 27
24GLC332.....	7, 33	26F-25-1.....	15	27A-12.....	16	41V29R-50.....	9
24HD-90D.....	13	26F-25-2.....	15	27A-25.....	16	41V30.....	9, 27
24HP.....	33	26F-25-R.....	15	27A-3.....	16	41V30R.....	9, 27
24HP-12-1.....	13	26FV.....	35	27B.....	2, 16, 36, 37	41V30R-50.....	9
24HP-12-BR.....	13	26FV-12-1.....	15	27B-12.....	16	41V32.....	9, 27
24HP-12-R.....	13	26FV-12-2.....	15	27B-25.....	16	41V32R.....	9, 27
24HP-25-1.....	13	26FV-12-R.....	15	27B-3.....	16	41V32R-50.....	9
24HP-25-R.....	13	26FV-25-1.....	15	27R24.....	9, 37	41V33.....	8, 21, 29
24HP-60D.....	13	26FV-25-2.....	15	27R32.....	9, 37	41V35.....	8, 21, 29
24V.....	33	26FV-25-R.....	15	300M.....	8, 25, 27, 35	430A.....	12
24V-12-1.....	13	26FVB.....	35	35N22.....	12	430AIS.....	13
24V-12-BR.....	13	26FVB-12-1.....	15	39Z88.....	12	45V0204.....	7, 25, 27, 35
24V-12-R.....	13	26FVB-12-2.....	15	39Z89.....	12	45V0204C.....	7, 25, 27, 35
24V-25-1.....	13	26FVB-12-R.....	15	3L.....	6, 43, 47		
		26FVB-25-2.....	15	3L-A.....	6, 41, 45	45V0204S.....	7, 21, 29,

45V0204SC.....	7, 21, 29, 31	45V28.....	7, 8, 27, 35	49V28.....	37	53N87L.....	5
45V03.....	29, 33	45V28C.....	7, 27, 35	4L-79.....	6, 43, 47	53N87XL.....	5
45V03R.....	9, 29, 31, 33	45V28S.....	7	4L-A.....	6, 41, 45	53N87XXL.....	5
45V03R-3.....	31	45V28SC.....	7	4L-AX.....	41, 45	53N88.....	5, 21, 23, 25, 27, 29, 31, 35, 37
45V03RF.....	9	45V29.....	7, 25, 27, 35	500 AMP WATER-COOLED.....	22	53N88L.....	5
45V04.....	9, 29, 33	45V29C.....	7, 25, 27, 35	50 AMP AIR-COOLED.....	24	53N88XL.....	5
45V04R.....	10, 29, 31, 33	45V29S.....	7, 29	5361S.....	33	53N88XXL.....	5
45V04RF.....	10	45V29SC.....	7, 21, 29	53N04.....	13, 27, 29, 33	53N89.....	5, 21, 23, 25, 27, 29, 31, 35, 37
45V05.....	12	45V41.....	7, 21, 29, 31, 33, 39	53N06.....	9, 29	54N01.....	8, 25, 27, 35
45V06.....	12	45V41C.....	7, 21, 29, 31, 39	53N06FR.....	9, 29	54N01S.....	8, 21, 29
45V07.....	29, 33	45V42.....	7, 21, 29, 31, 33, 39	53N06R.....	9, 29	54N14.....	21, 25, 27, 29, 35
45V07R.....	10, 29, 31, 33	45V42C.....	8, 21, 29, 31, 39	53N06V.....	9	54N14L.....	21, 25, 27, 29, 35
45V07R-3.....	31	45V43.....	8, 21, 29, 31, 33, 39	53N10.....	13	54N15.....	21, 25, 27, 29, 35
45V08.....	10, 29, 33	45V43C.....	8, 21, 29, 31, 39	53N14.....	7, 33	54N15L.....	21, 25, 27, 29, 35
45V08R.....	10, 29, 31, 33	45V44.....	8, 21, 29, 31, 33	53N15.....	7, 33	54N16.....	27, 35
45V09.....	10, 29, 33	45V44C.....	8, 21, 29, 31	53N16.....	7, 33	54N16L.....	21, 25, 27, 29, 35
45V09R.....	10, 29, 31, 33	45V45.....	8, 21, 29, 31	53N17.....	7, 33	54N17.....	21, 25, 27, 29, 35
45V09R-3.....	31	45V45C.....	8, 21	53N18.....	7, 33	54N17L.....	5, 21, 25, 27, 29, 35
45V10.....	29, 33	45V46.....	29, 31	53N19.....	7, 33	54N18.....	5, 21, 25, 27, 29, 35
45v10.....	10	45V46C.....	29, 31	53N22.....	8, 33	54N19.....	5, 21, 25, 27, 29, 35
45V10R.....	29, 31	45V52.....	39	53N23.....	6	54N20.....	7, 18, 27, 35
45v10r.....	10	45V62.....	10, 35	53N23A.....	5, 33	54N20S.....	7
45V11.....	10, 23, 27, 29, 31, 33	45V63.....	8, 27, 35	53N24.....	6, 33	54N26.....	21, 25, 29
45V116.....	7, 25, 27, 35	45V63C.....	8, 27, 35	53N24A.....	5, 33	54N31.....	6, 21, 25, 27, 29, 35
45V116C.....	7, 25, 27, 35	45V63S.....	8	53N25.....	6, 33	54N32.....	6, 21, 25, 27, 29, 35
45V116S.....	7, 29, 31	45V63SC.....	8	53N25A.....	5, 33	54N33.....	6, 21, 25, 27, 29, 35
45V116SC.....	7, 29, 31	45V64.....	8, 25, 27, 35	53N26.....	6, 33	54N34.....	6, 21, 25, 27, 29, 35
45V22.....	8	45V64C.....	8, 25, 27, 35	53N26A.....	5	54N35.....	6, 21, 25, 27, 29, 35
45V23.....	8	45V64S.....	8, 29, 31	53N27.....	6, 33	54N36.....	6, 21, 25, 27, 29, 35
45V23S.....	21	45V64SC.....	8, 29, 31	53N27A.....	33	54N63.....	8, 21, 25, 27, 29, 31, 35
45V24.....	7, 8, 25, 27, 35	45V67.....	12	53N28.....	6, 33	54N63-20.....	8, 21, 29
45V24C.....	7, 25, 27, 35	45V68.....	12	53N43.....	10, 33	54N63-22.....	31
45V24S.....	7, 21, 29	46V28.....	35	53N57.....	37	54N74L.....	5
45V24SC.....	7, 21, 29	46v28.....	10	53N58.....	21, 29, 31, 33	54N84.....	9, 35
45V25.....	7, 8, 25, 27, 35	46V28-2.....	10, 35	53N59.....	5, 21, 29, 31, 33, 39	54N84R.....	9, 35
45V25C.....	7, 25, 27, 35	46V28-R.....	35	53N60.....	5, 21, 29, 31, 33, 39	54N98.....	13
45V25S.....	7, 21, 29	46V28R.....	10	53N61.....	5, 21, 29, 31, 33, 39		
45V25SC.....	7, 21, 29	46V30.....	10, 35	53N61S.....	5, 21, 29, 31, 39		
45V26.....	7, 8, 25, 27, 35	46V30-2.....	10, 35	53N62.....	7, 33		
45V26C.....	7, 25, 27, 35	46V30-R.....	35	53N63.....	7, 33		
45V26S.....	7, 21, 29	46V30R.....	10	53N64.....	7, 27, 33		
45V26SC.....	7, 21, 29	49V22.....	37	53N66.....	8, 33		
45V27.....	7, 8, 25, 27, 35	49V23.....	37	53N85.....	8, 39		
45V27C.....	7, 25, 27, 35	49V24.....	37	53N87.....	21, 23, 25, 27, 29, 31, 35		
45V27S.....	7, 21, 29	49V25.....	37				
45V27SC.....	7, 21, 29	49V26.....	37				
		49V27.....	37				

TIG

56V40..... 8	796F72..... 6, 21, 31	90HP-25-R..... 13	9V-12-1..... 13
56Y02..... 8	796F73..... 6, 21, 29, 31	98W18..... 8, 25, 27, 35	9V-12-2..... 13
56Y38..... 33, 39	796F74..... 6, 21, 29, 31	98W77..... 8, 21, 29	9V-12-BR..... 13
56Y38BR..... 10, 33, 39	796F75..... 6, 21, 29, 31	995795..... 8, 25, 27, 35	9V-12-R..... 13
56Y38R..... 10, 39	796F76..... 6, 21, 29, 31	995795-316..... 8	9V-25-1..... 13
56Y39..... 13	796F77..... 6, 21, 29, 31	995795-316C..... 8	9V-25-2..... 13
56Y39R..... 13	796F79..... 6	995795C..... 8, 25, 27, 35	9V-25-R..... 13
56Y40..... 39	796F80..... 6	995795S..... 8, 29, 31	9VB..... 14, 21
56Y44..... 8, 23	80 AMP..... 32	995795SC..... 8, 29, 31	9VB-12-1..... 14
56Y45..... 23	81Z51..... 6	9F..... 14, 21	9VB-12-2..... 14
56Y97..... 10, 33, 39	81Z52..... 6	9F-12-1..... 14	9VB-12-BR..... 14
56Y97R..... 10, 33, 39	81Z53..... 6	9F-12-2..... 14	9VB-12-R..... 14
57101BR..... 33	84Z31..... 39	9F-12-BR..... 14	9VB-25-1..... 14
57N45..... 7, 37	84Z33..... 7, 39	9F-12-R..... 14	9VB-25-2..... 14
57N46..... 7, 37	84Z34..... 7, 39	9F-25-1..... 14	9VB-25-R..... 14
57N47..... 7, 37	84Z35..... 7, 39	9F-25-2..... 14	
57N48..... 7, 37	84Z36..... 6, 39	9F-25-R..... 14	A
57N49..... 7, 37	84Z37..... 6, 39	9FV..... 14, 21	A10HP..... 2, 13, 40, 41
57N50..... 7, 37	84Z86..... 6, 39	9FV-12-1..... 14	A10HP-12R..... 13
57N51..... 7, 37	85W49..... 8, 39	9FV-12-2..... 14	A10HP-25-R..... 13
57N56..... 37	85WP13..... 9, 23	9FV-12-BR..... 14	A10HPV..... 13, 41
57N74..... 21, 23, 25, 27, 29, 31, 35, 37	85Z14..... 23	9FV-12-R..... 14	A10HPV-12-R..... 13
57N74XXL..... 5	85Z15..... 23	9FV-25-1..... 14	A10HPV-25-R..... 13
57N75..... 5, 21, 23, 25, 27, 29, 31, 35, 37	85Z16..... 23	9FV-25-2..... 14	A16F..... 2, 15, 42, 43
57N75L..... 5	85Z17..... 23	9FV-25-R..... 14	A16F-12-R..... 15
57N75XL..... 5	85Z18..... 23	9FVB..... 14, 21	A16F-25-R..... 15
57N75XXL..... 5	85Z19..... 23	9FVB-12-1..... 14	A16FV..... 15, 43
57Y01..... 10, 21, 25, 33	85Z99..... 8, 23	9FVB-12-2..... 14	A16FV-12-R..... 15
57Y01-2..... 10, 21, 25, 33	86Z01..... 23	9FVB-12-BR..... 14	A16FV-25-R..... 15
57Y01BR..... 10, 21, 25	86Z02..... 23	9FVB-12-R..... 14	A16HP..... 2, 15, 43
57Y01R..... 10, 21, 25, 33	86Z03..... 23	9FVB-25-1..... 14	A16HP-12-R..... 15
57Y02..... 25, 27, 35	86Z06..... 23	9FVB-25-2..... 14	A16HP-25-R..... 15
57Y03..... 10, 21, 25, 33	8L-82..... 6, 47	9FVB-25-R..... 14	A16HPV..... 15, 43
57Y03-2..... 10, 21, 25, 33	8L82..... 43	9HP..... 14, 20, 21	A16HPV-12-R..... 15
57Y03R..... 10, 21, 25, 33	9..... 2, 13, 20, 21	9HP-12-1..... 14	A16HPV-25-R..... 15
57Y03R-50..... 10	9-12-1..... 13	9HP-12-2..... 14	A20HP..... 2, 15, 44, 45
57Y04..... 25, 27, 35	9-12-2..... 13	9HP-12-BR..... 14	A20HP-12-R..... 15
57Y10..... 13	9-12-BR..... 13	9HP-12-R..... 14	A20HP-25-R..... 15
57Y10R..... 13	9-12-R..... 13	9HP-25-1..... 14	A35HP..... 16, 46, 47
598882..... 8, 21, 29	9-25-1..... 13	9HP-25-2..... 14	A35HP-12-R..... 16
5L-80..... 6, 43, 47	9-25-2..... 13	9HP-25-R..... 14	A35HP-25-R..... 16
5L-A..... 6, 41, 45	9-25-R..... 13	9P..... 14, 21	A35P..... 2
5L-AX..... 41, 45	9-4..... 8	9P-12-1..... 14	AK-1..... 11, 20
6L-81..... 6, 43, 47	90..... 2	9P-12-2..... 14	AK-1A..... 11
6L-A..... 6, 41, 45	90HP..... 13, 38, 39	9P-12-BR..... 14	AK-2..... 11, 24
6L-AX..... 41, 45	90HP-12-1..... 13	9P-12-R..... 14	AK-27..... 11, 36
796F70..... 6, 21, 29, 31	90HP-12-BR..... 13	9P-25-1..... 14	AK-3..... 11, 26, 34
796F71..... 6, 21, 29	90HP-12-R..... 13	9P-25-2..... 14	AK-4..... 11, 28
	90HP-25-1..... 13	9P-25-R..... 14	AK-4A..... 11
	90HP-25-BR..... 13	9V..... 13, 21	

AK-5..... 11, 32
 AK-5F..... 11, 32
 AK-5W..... 11, 32
 AK-7..... 11, 22

B

BL-1..... 12, 23, 27, 31, 35,
 43, 45, 47
 BL-1S..... 12, 23, 27, 31, 35,
 43, 45, 47
 BL-2..... 23, 27, 31, 35, 43,
 45, 47
 BL-2S..... 23, 27, 31, 35, 43,
 45, 47
 BL2..... 12
 BL2S..... 12
 BRH-1..... 13
 BRH-3..... 13
 BRT-1..... 13
 BRT-2..... 13
 BRT-3..... 13
 BRT-4..... 13
 BS-1..... 12, 21, 25, 29, 33,
 39, 41
 BS-1S..... 12, 21, 25, 29, 33,
 39, 41
 BS-2..... 12, 21, 25, 29, 33,
 39, 41
 BS-2S..... 12, 21, 25, 33, 39,
 41
 BVT-1..... 13
 BVT-2&3..... 13
 BVT-4..... 13
 BVT-5..... 13
 BW96888..... 24, 26, 28,
 34

C

C26-1..... 13
 CC-3-10.. 10, 21, 25, 27, 29,
 31, 33, 35, 39, 41, 43, 45
 CC-3-10HD..... 10, 21, 25,
 27, 29, 31, 33, 35, 39, 41, 43,
 45
 CC-3-22.. 10, 21, 25, 27, 29,
 45
 CC-3-22HD..... 10, 21, 25,
 27, 29, 45
 CC-4-10.. 10, 23, 31, 45, 47

CC-4-10HD..... 10, 23, 31,
 45, 47
 CC-4-22.. 10, 23, 33, 35, 39,
 41, 43, 45, 47
 CC-4-22HD..... 10, 23, 33,
 35, 39, 41, 43, 45, 47

D

D-1820L..... 17
 D-24M..... 17
 D-26R..... 17
 D-917F..... 17
 D-917FS..... 17
 DA-1820L-5/8-18LHM..... 17
 DA-24M-5/8-18RHM..... 17
 DA-26R-5/8-18RHM..... 17
 DA-917F..... 17
 DA-917F-5/8-18RHM..... 17
 DA-917FS-5/8-18RHM..... 17
 DP-25M..... 17
 DP-50..... 17
 DP-50M..... 17

E

EK-1-12..... 10, 26, 28, 30
 EK-1-12-R..... 10
 EK-1-25..... 10, 26, 28, 30
 EK-1-25-R..... 10, 26, 28,
 30
 EK-2-12..... 10, 20, 24, 32
 EK-2-12-R..... 10, 20, 24
 EK-2-25..... 10, 20, 24, 32
 EK-2-25-R..... 10
 EK-26-12..... 34
 EK-26-12-R..... 34
 EK-26-25..... 10, 34
 EK-26-25-2..... 10
 EK-26-25-R..... 10
 EK-A10-25..... 11
 EK-A16-25..... 11, 42
 EK-A20-25..... 11, 44
 EK-A35-25..... 11, 46

F

F..... 20, 24, 28, 34
 FHD..... 28
 FV..... 20, 24, 34, 42
 FVB..... 20, 24
 FVHD..... 32

H

H-100..... 9, 29
 H-100R..... 9
 H-100V..... 9
 H-200..... 9
 H-200R..... 9
 H-200V..... 9
 H100..... 21, 25, 33
 H100R..... 21, 25, 33
 H200..... 27, 35, 43
 H200R..... 27, 35
 HK-1..... 11, 22, 26, 28, 30
 HK-1R..... 11, 22, 26, 28, 30
 HK-2..... 11, 20, 24, 32, 34,
 38, 40, 42
 HK-2R..... 11, 20, 24, 32, 38
 HK2R..... 34, 40, 42
 HK-3..... 11, 20, 24, 32, 34,
 38, 40, 42
 HK-3R..... 11, 20, 24, 32, 38
 HK3R..... 34, 40, 42
 HK-A20..... 11, 44
 HK-A35..... 11, 46
 HP..... 24, 28, 32, 34, 42
 HPV..... 24, 34, 40, 42
 HW9..... 38

M

MAK-1S..... 12, 20, 28
 MAK-2S..... 12, 24, 26, 34
 MAK-A1S..... 12, 44
 MAK-A2S..... 12, 42, 46

N

N17-1..... 13

O

O24..... 33

P

P..... 28
 PCA-2..... 10

PCA-2-3..... 12
 PCA-2-4..... 12
 P 125 AMP AIR-COOLED....
 20
 P 350 AMP WATER-
 COOLED..... 26

R

RL..... 13
 RL-10..... 13
 RL-22..... 13
 RS..... 13
 RS-10..... 13
 RS-22..... 13

S

SK-11-12..... 12
 SK-11-25..... 12
 SK-12-12..... 12
 SK-12-25..... 12
 SK-21-12..... 12
 SK-21-25..... 12
 SK-22-12..... 12
 SK-22-25..... 12
 SW-1..... 23, 25, 27
 SW-1-12..... 23, 25, 27
 SW1..... 12, 21, 23, 25, 27,
 29, 31, 33, 35, 39, 41, 43, 45,
 47
 SW1-12.. 12, 21, 29, 31, 33,
 35, 39, 41, 43, 45
 SW1-25.. 12, 21, 23, 25, 27,
 29, 31, 33, 35, 39, 41, 43, 45
 SW1F..... 12, 21, 23, 25, 27,
 29, 31, 33, 35, 39, 41, 43, 45,
 47
 SW1F-12 12, 21, 23, 25, 27,
 29, 31, 33, 35, 39, 41, 43, 45
 SW1F-25 12, 21, 23, 25, 27,
 29, 31, 33, 35, 39, 41, 43, 45
 SW2..... 29
 SW2-0.... 12, 21, 23, 25, 27,
 31, 33, 35, 39, 41, 43, 45, 47
 SW2-12.. 12, 23, 25, 27, 29,
 31, 33, 35, 39, 41, 43, 45, 47
 SW2-25.. 12, 21, 23, 25, 27,
 29, 31, 33, 35, 39, 41, 43, 45,
 47
 SW4..... 21, 23, 25, 27, 29,

31, 33, 35, 39, 41, 43, 45,
47
SW4-12 12, 21, 23, 25,
27, 29, 31, 33, 35, 39, 41,
43, 45
SW4-25 12, 21, 23, 25,
27, 29, 31, 33, 35, 39, 41,
43, 45
SWC-1..... 12

T

T-62 13
TM-1..... 18
TM-17-18-26..... 18
TM-24..... 18
TM-9-20 18

V

V..... 20, 24, 26, 32,
34
V-1..... 9, 27, 29
V-2..... 9
VB..... 20
VS-0 21
VS-1 9, 35
VS-16 9, 43
VS-16-O 8, 43
VS-2 9, 21, 25, 27, 33
VS-O..... 8, 25, 27, 33, 35
VS10..... 41
VSF-0 21
VSF-1 21, 25, 33
VSF-2 35, 43
VSF-O 8, 25, 33, 35, 43

MIG WELDING PRODUCTS

RIGHTNING[®]

PLASMA CUTTING PRODUCTS

PHD[®] **PHDX**[®]

OXY-FUEL WELDING & CUTTING PRODUCTS

WALTEC[™]

TIG WELDING PRODUCTS

Integra[™]

LASER CUTTING PRODUCTS

LASERTEC[®]

TIG



Since 1940

AMERICAN
TORCH TIP **ATTC**[®]