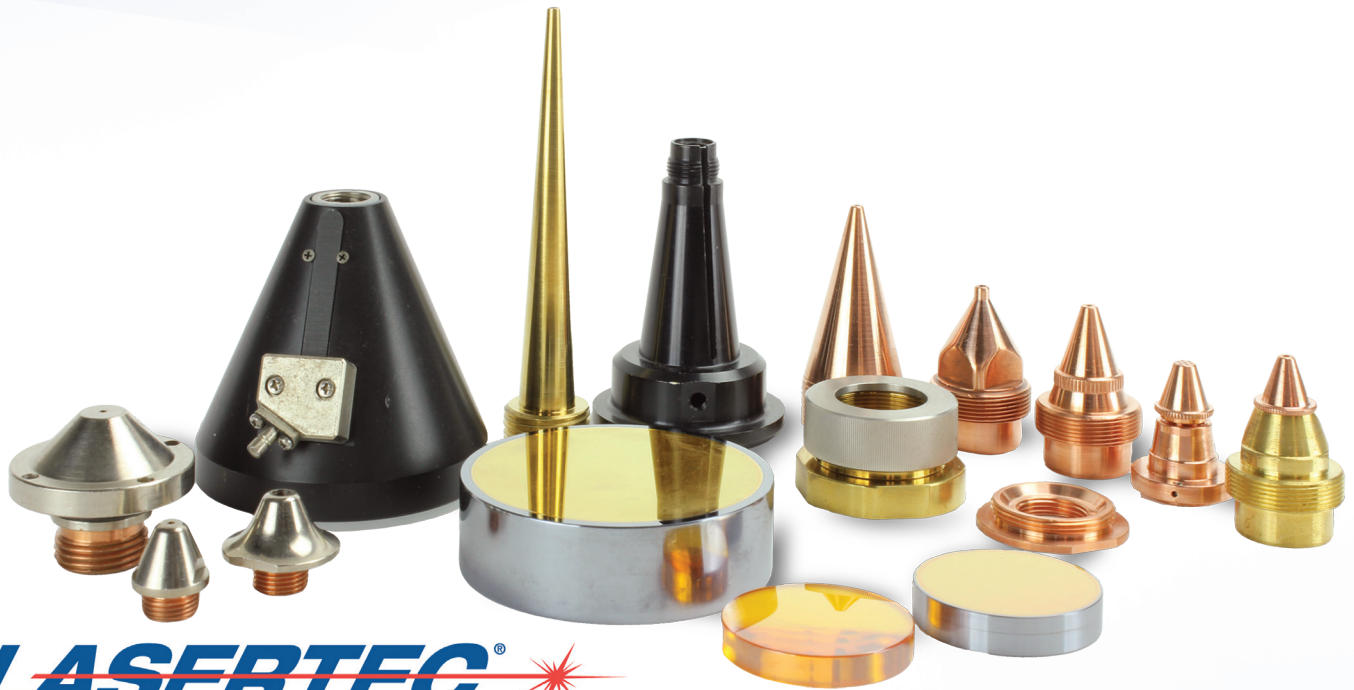


# LASER CUTTING PRODUCTS



**LASERTEC**® 

**SENSORS, CONSUMABLES, LENSES,  
REFLECTORS AND REPLACEMENT PARTS**

American Torch Tip **LASERTEC**® for Most Brands  
Made In the USA

**AMERICAN  
TORCH TIP ATTC**® 

**LASER TABLE OF CONTENTS – BY BRAND**

Amada® .....	3	Lumonics .....	33
Behrens® .....	12	Mazak® .....	34
BLM/Adige .....	13	MG® .....	42
Bystronic® .....	14	Mitsubishi® .....	43
Cincinnati® .....	19	Niigata® .....	48
Directed Light® .....	22	NTC®/Beyeler® .....	48
Electrox® .....	22	Precitec® .....	49
Fanuc® .....	23	Raytheon® .....	56
Gremada® .....	24	Rofin Sinar® .....	56
Huffman® .....	25	Shibuya® .....	56
HK Laser & Systems® .....	26	Spectra Physics® .....	56
Komatsu® .....	28	Salvagnini® .....	57
Lasag® .....	28	Strippit® /LVD® .....	58
Laser Lab® .....	29	Tanaka® .....	60
Laserdyne/ Prima® .....	30	Trumpf® .....	61
Laser Mechanisms® .....	32		

**PFTE Holder**  
71712349  
0.0370" 9.4mm  
1.472" 37.4mm

**Cover Kit**  
71712342  
0.377" 9.6mm  
2.511" 63.8mm

**Nut Kit**  
71712341  
0.629" 16mm  
2.992" 76mm

**Insert**  
71716438  
0.468" 11.9mm  
0.547" 13.9mm

**Adaptor Nozzle Holder (with insert)**  
71712350  
0.885" 22.5mm  
0.889" 22.6mm

**Teflon™ Ring**  
71712340  
0.829" 21.05mm  
0.107" 2.71mm  
0.751" 19.07mm

**Nozzle Mushroom Single, Chrome**  
0.79" 20mm  
0.98" 25mm  
Threads M12 X 1

**Nozzle Mushroom Double**  
0.79" 20mm  
0.98" 25mm  
Threads M12 X 1

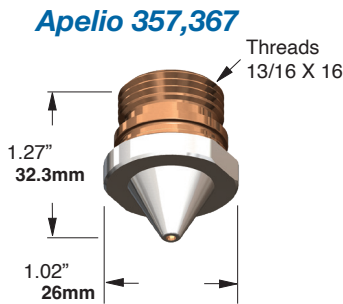
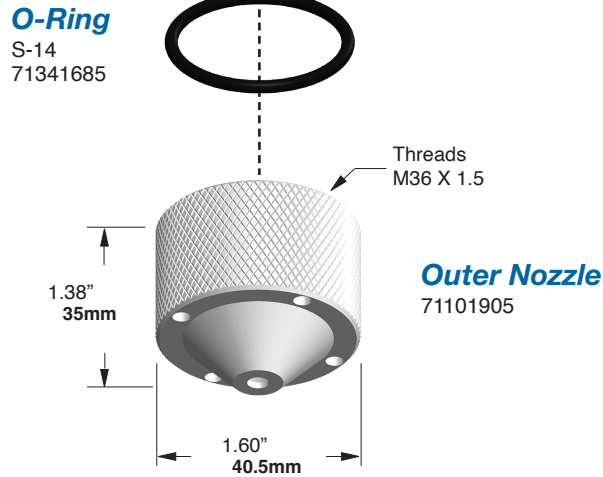
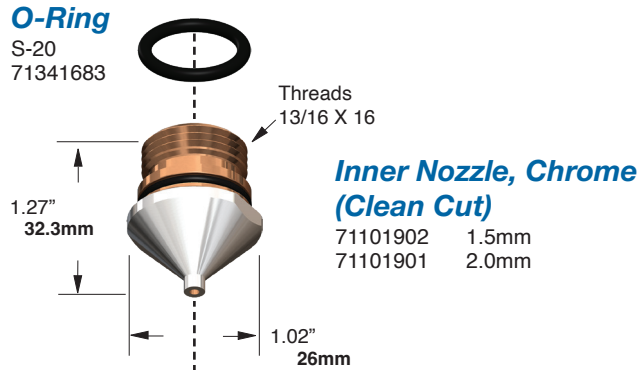
**Nozzle Mushroom Double w/Teflon™ Ring**  
0.79" 20mm  
0.98" 25mm  
Threads M12 X 1

71369812-0.8	0.8mm	1572361	1.2mm	71461026	2.5mm
71369812-1.0	1.0mm	71369813	1.4mm	71461158	4.0mm
71369812	1.2mm	71369813-2.0	2.0mm		
1572362-1.4	1.4mm	71369813-2.5	2.5mm		
71369815	2.0mm	71369813-3.5	3.5mm		
71369816	3.0mm	71369817	4.0mm		
71369815-4.0	4.0mm	71501059	2.5mm (E)		
71502037	1.2mm (Eco Cut)	71501060	4.0mm		
71501056	1.5mm	71570022	2.0mm (F)		
71501057	2.0mm	71461029	1.4mm		
71501057-2.5	2.5mm	71568227	1.4mm (FE)		
71501058	3.0mm	71712335	2.5mm (WACS)		
71570021	1.0mm (FE)	71501093	4.0mm (AL)		
71570020	1.2mm	71341728	4.0mm (CleanCut)		
71570030	1.0mm (WACS FE)	71341729	7.0mm (Large Front - Hard Chrome)		
71570023	1.2mm	71501092	7.0mm (Large Front)		
71570030-2.0	2.0mm	71712692	7.0mm (Large Front - Silly Cut)		
71502043	2.0mm (Hard Chrome)				

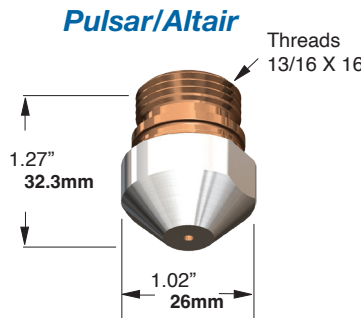
LASER

LASMAC 667/664 WATER ASSIST

LASER



**Nozzle, Chrome (Clean Cut)**  
6506892-1.2 1.2mm  
6506892 2.0mm



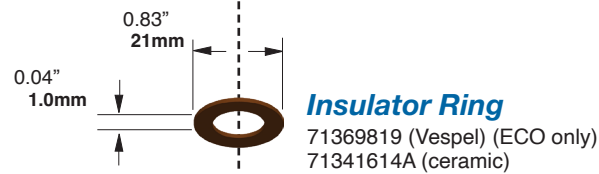
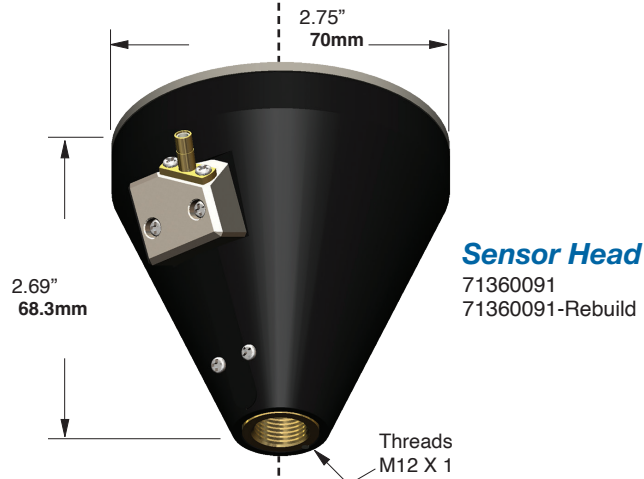
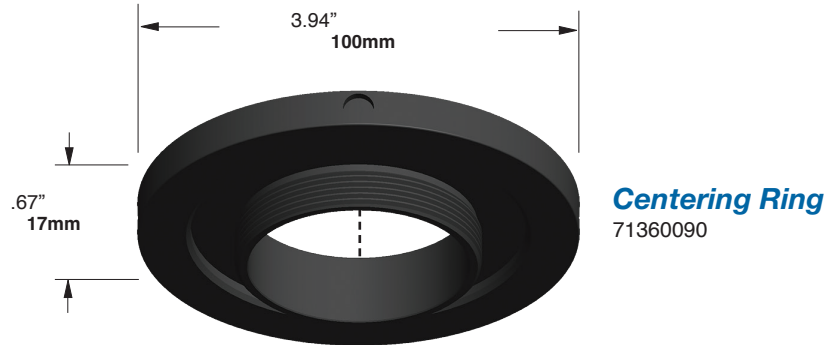
**Inner Nozzle**  
62094003 2.0mm  
62094004 3.0mm



**Nozzle (Clean Cut)**  
71102000 1.5mm  
71102000-1.75 1.75mm  
71101999 2.0mm  
71101999-2.5 2.5mm

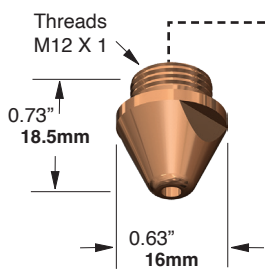


**SENSOR SYSTEM HS95**



**Ext. Nozzle, Chrome**

1664545U-1.0	1.0mm
1664545U-1.2	1.2mm
1664545U-1.5	1.5mm
71341610	2.0mm
71341610-2.5	2.5mm
71360142	3.0mm



**Nozzle, Chrome w/large flange**

1664545U-1.0R  
1664545U-1.5R

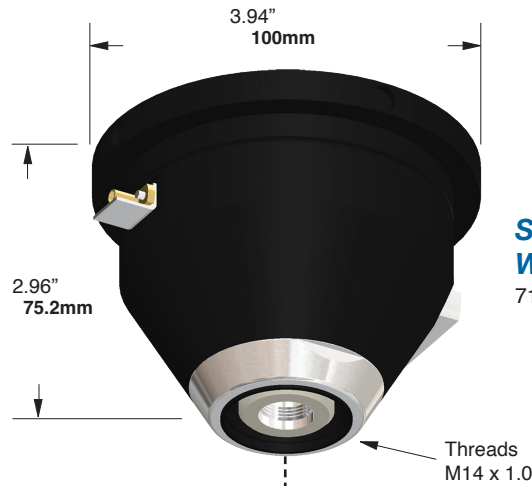


**Nozzle Double**

1300236	1.4mm
71369809	1.5mm
71341680-2.0	2.0mm
71341680	2.5mm
71341680-3.0	3.0mm
71341680-3.5	3.5mm
71341681	4.0mm

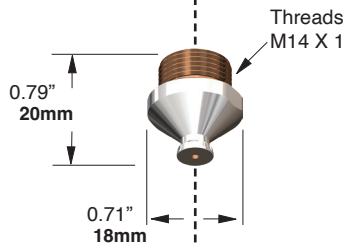


WACS SENSOR SYSTEM



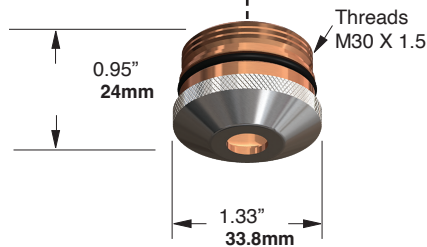
**Sensor Head WACS**  
71341687- Rebuild

**O-Ring**  
71341682-O



**Nozzle Double WACS, Chrome**

1300266	1.4mm LP
71341682-1.5	1.5mm
71341682-2.0	2.0mm
71341682	2.5mm
71341682-3.0	3.0mm
71341682-4.0	4.0mm



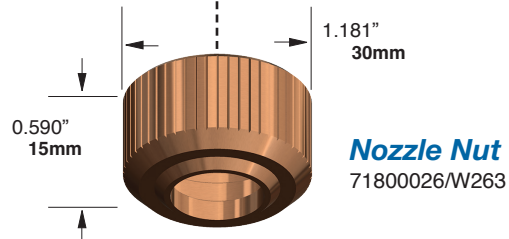
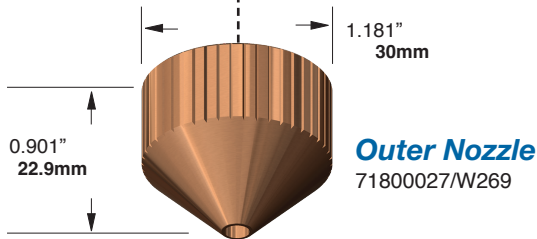
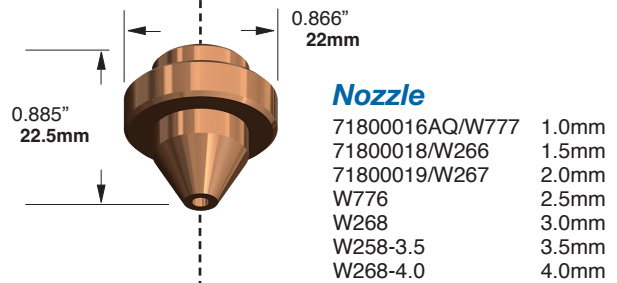
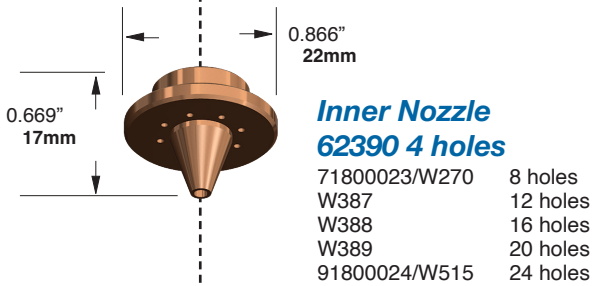
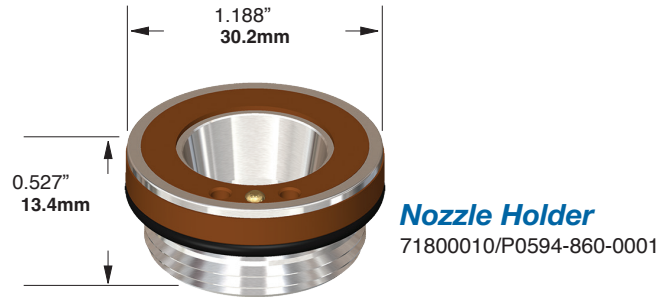
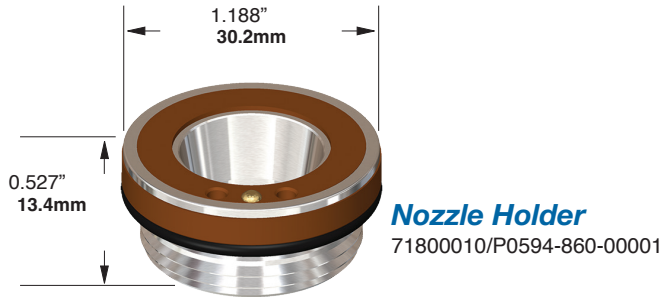
**Nozzle Single WACS, Chrome**

71366096	2.0mm
71298020	3.0mm

**Outer Nozzle, Chrome**

71341684

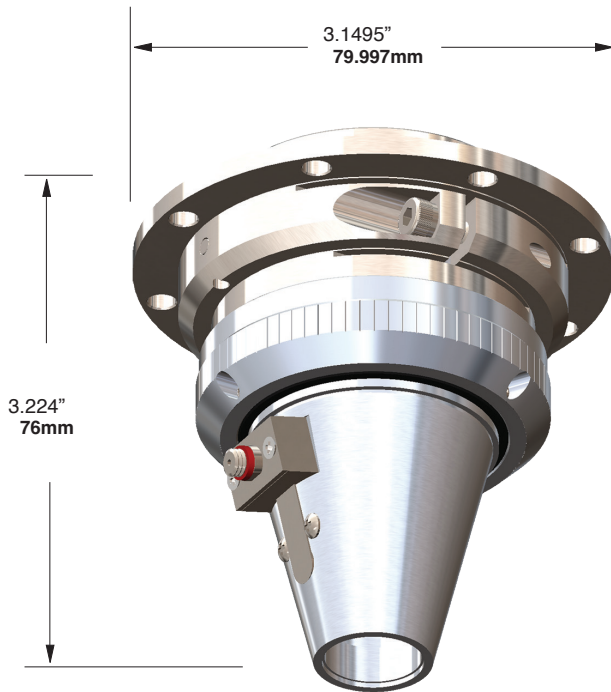
LASER



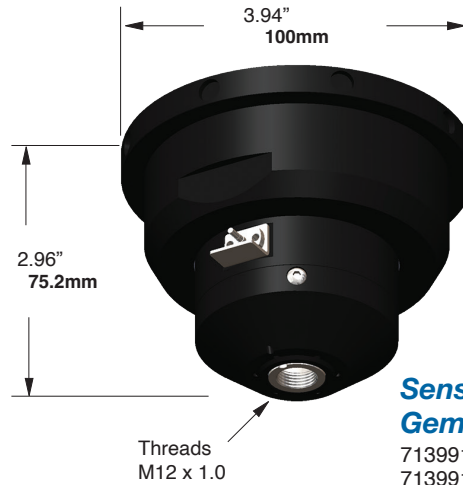
**LASER**

**SENSOR HEADS**

**LASER**



**Sensor Head**  
713416345.0 HS-98

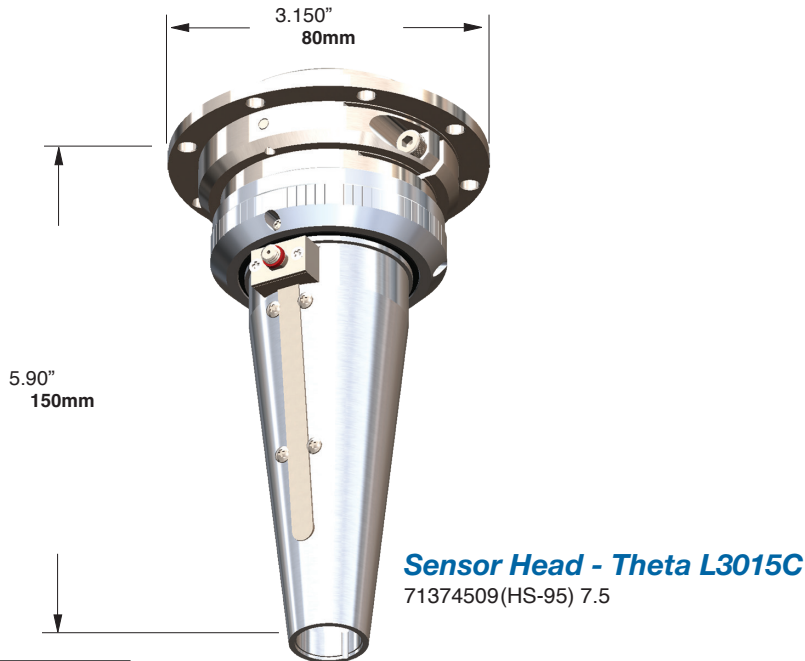
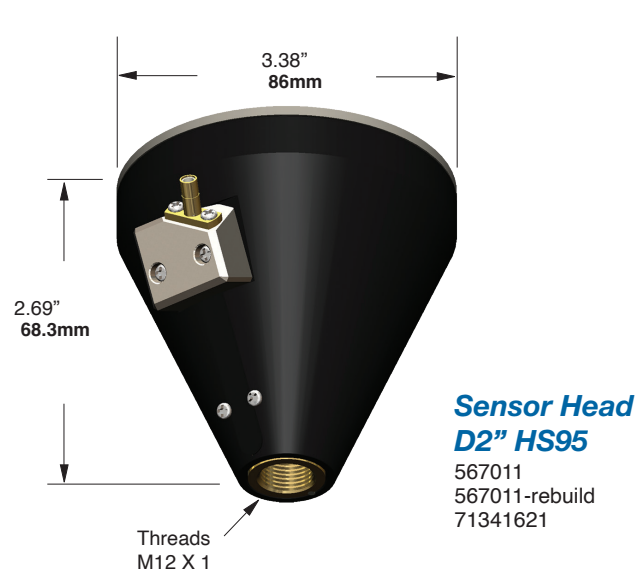
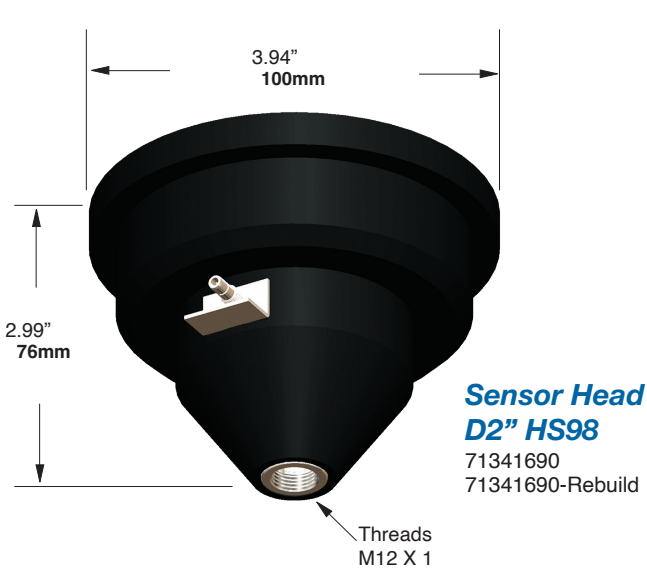


**Sensor Head (ECO)**  
**Gemini**  
71399107  
71399107-Rebuild



**Sensor Head**  
71341622

**SENSOR HEADS**



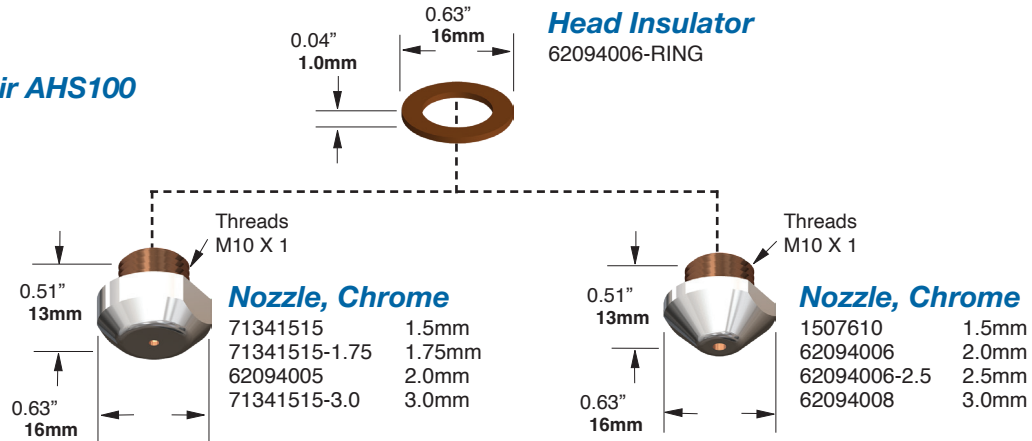
**Parts Available but Not Shown**

71341630/71398965	Cable HS-95
71341690-6	O-Ring Kit for 71341690
71361393	Lens Gasket for 2" Mount
71512355	Lens Gasket for 2" Mount
71109613	Small Lens Gasket
71398293	Cable

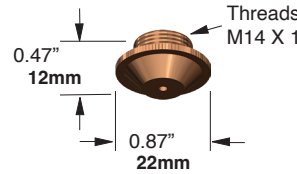
**LASER**



**Pulsar/Altair AHS100**



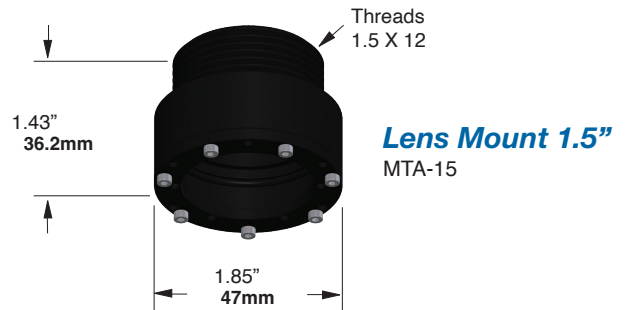
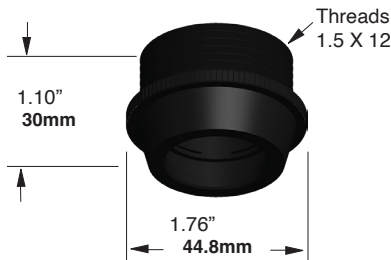
**Cap. Nozzle**  
8249301 2.0mm



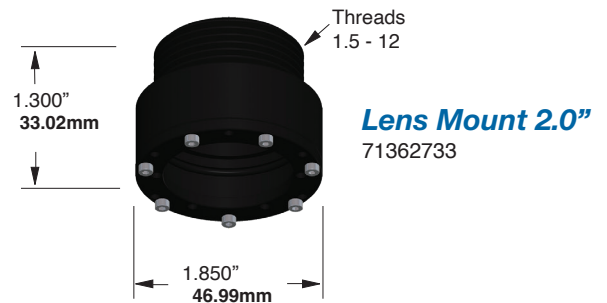
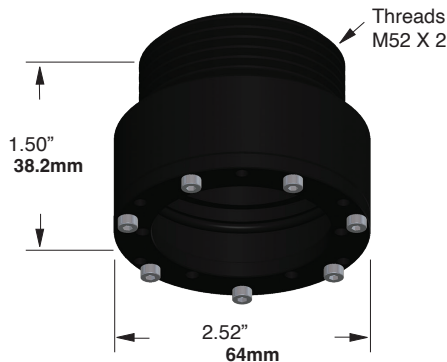
LASER

**LENS MOUNTS**

**Lens Mount 1.1"**  
MTA-11



**Lens Mount 2.0"**  
MTA-20



**Parts Available but Not Shown**

- 71501070 Focusing lens 7.5 focal length with mount
- 71501072 Focusing lens 5.0 focal length with mount

**OPTICS FOR AMADA® LASERS**

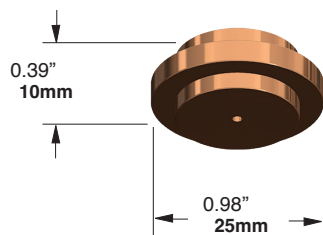
**Focusing Lenses**

P/N	Lasertec P/N	Material	Diameter	Focal Length	Edge Thickness
81140186	ZC20750380	ZnSe	2.0"	7.5"	.390"
81140190	ZC11250160	ZnSe	1.1"	2.5"	.160"
81140221	ZC15375300	ZnSe	1.5"	3.75"	.300"
81140225	ZC11375160	ZnSe	1.1"	3.75"	.160"
81140305	ZC11500160	ZnSe	1.1"	5.0"	.160"
81140306	ZC15500300	ZnSe	1.5"	5.0"	.300"
81140307	ZC20500380	ZnSe	2.0"	5.0"	.380"
81140389	ZC11750160	ZnSe	1.1"	7.5"	.160"
81140400	ZC15750300	ZnSe	1.5"	7.5"	.300"

**PROTECTIVE WINDOWS**

P/N	Material	Diameter	Edge Thickness
71570026	FS	Octagonal	1.5mm
71571308	FS	45mm	8mm

**LASER**



**Nozzle**

L60	0.8mm
L51	1.0mm
L52	1.2mm
L53	1.5mm
L53-2.0	2.0mm

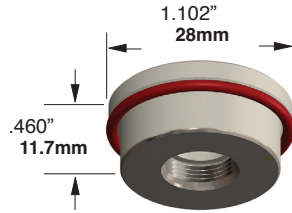
LASER

**Nozzle**

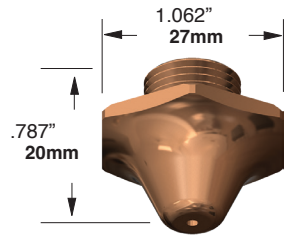
6930250845	1.0mm
6930250846	1.2mm
6930250847	1.5mm
6930250848	1.8mm
6930250849	2.0mm
6930250850	2.3mm
6930250851	2.5mm
6930250852	3.0mm
6930250853	3.5mm
6930250854	4.0mm

**Nozzle - Chrome**

6930250800	1.0mm
6930250801	1.2mm
6930250802	1.5mm
6930250803	1.8mm
6930250804	2.0mm
6930250805	2.3mm
6930250806	2.5mm
6930250807	3.0mm
6930250808	3.5mm
6930250809	4.0mm



**Nozzle Holder**  
6930003224



**Double Nozzle - Chrome**

6930250810	1.0mm
6930250811	1.2mm
6930250812	1.5mm
6930250813	1.8mm
6930250814	2.0mm
6930250815	2.3mm
6930250816	2.5mm
6930250817	3.0mm
6930250818	3.5mm

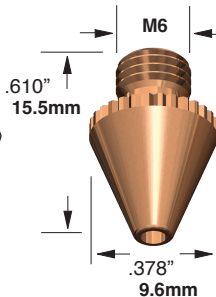
LASER



**Nozzle Holder**  
PO494-752-00001

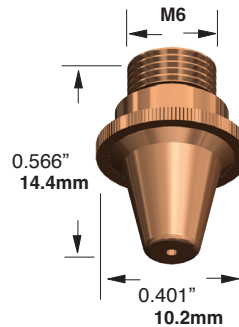
**Double Nozzle**

6930250857	1.0mm
6930250858	1.2mm
6930250837	1.5mm
6930250859	1.8mm
6930250838	2.0mm
6930250860	2.5mm
6930250861	3.0mm



**Nozzle**

6930250031	1.0mm
6930250032	1.2mm
6930250033	1.5mm
6930250034	1.8mm
6930250035	2.0mm
6930250043	2.3mm
6930250036	2.5mm
6930250044	3.0mm

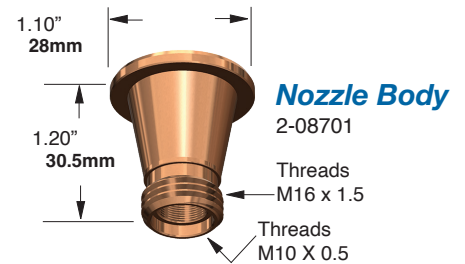
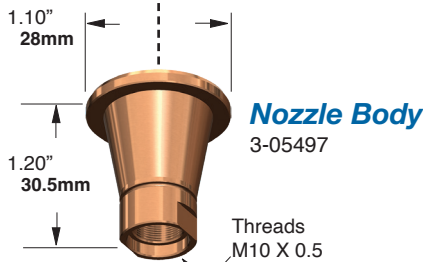
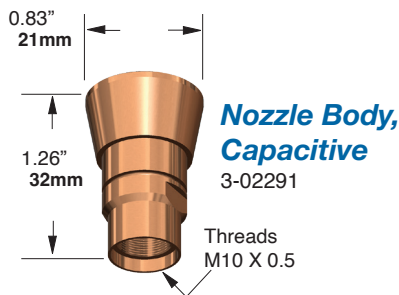
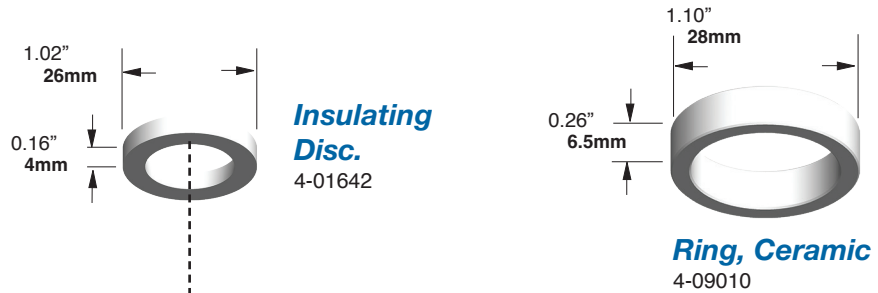


**Nozzle**

455054	1.0mm
455044	1.2mm
455034	1.5mm
455024	1.8mm
455014	2.0mm
C50762A	2.5mm

BYSTRONIC® - FIBER

BYSTAR/BYSPRINT

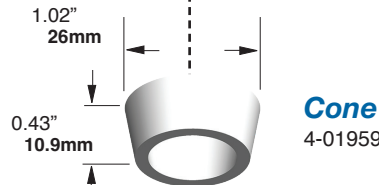


**Nozzle Low Pressure, Capacitive**

*3-04273	0.8mm	K08
3-01905	1.0mm	K10
3-01906	1.25mm	K12
3-01907	1.5mm	K15
3-01908	1.75mm	K17
3-01909	2.0mm	K20
3-04274	2.5mm	K25

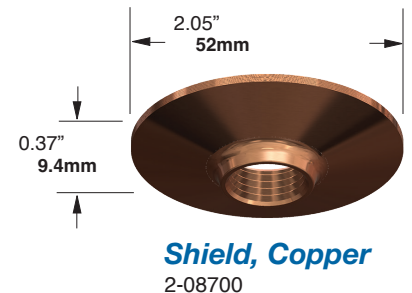
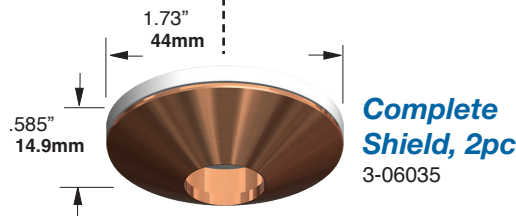
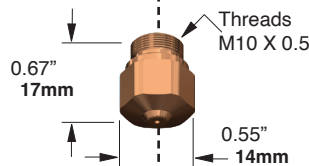
**Nozzle High Pressure, Capacitive**

3-04277	0.8mm	HK08
3-01910	1.0mm	HK10
3-01911	1.25mm	HK12
3-01912	1.5mm	HK15
3-01913	1.75mm	HK17
3-01914	2.0mm	HK20
3-01915	2.5mm	HK25
3-06112	3.0mm	HK30
3-06112-3.5	3.5mm	HK35



**Nozzle, Double - Chrome**

3-01658	1.0mm	NK10
3-16059	1.25mm	NK12
3-16060	1.5mm	NK15
3-14317	1.75mm	NK17
3-14318	2.0mm	NK20
3-14319	2.5mm	NK25
3-16061	3.0mm	NK30

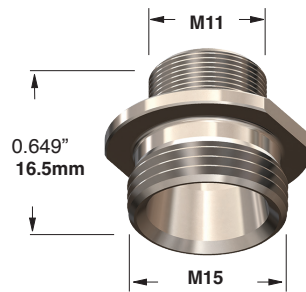


LASER

\* Available as a shower nozzle (3-04273-S)



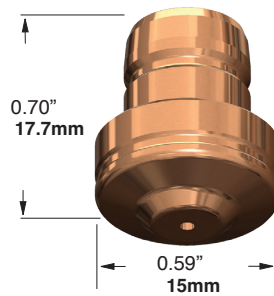
**BYSTAR/BYSPRINT/BYSMART**



**Breakaway**  
10075057

**Quick Release Nozzle**

10035266	1.0mm	HK10
10035267	1.2mm	HK12
10035268	1.5mm	HK15
10035269	1.7mm	HK17
10035270	2.0mm	HK20
10035271	2.5mm	HK25
10035272	3.0mm	HK30
10049744	3.5mm	HK35



**Quick Release Double Nozzle**

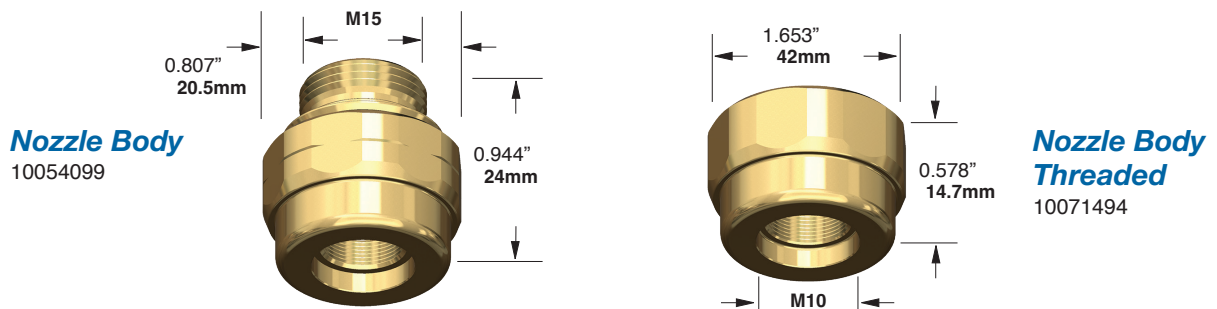
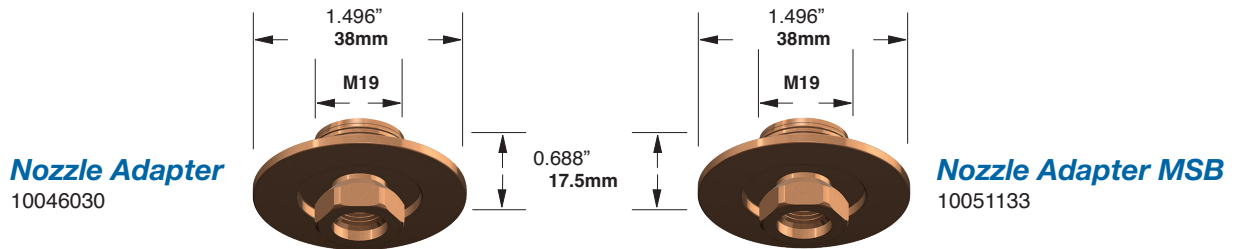
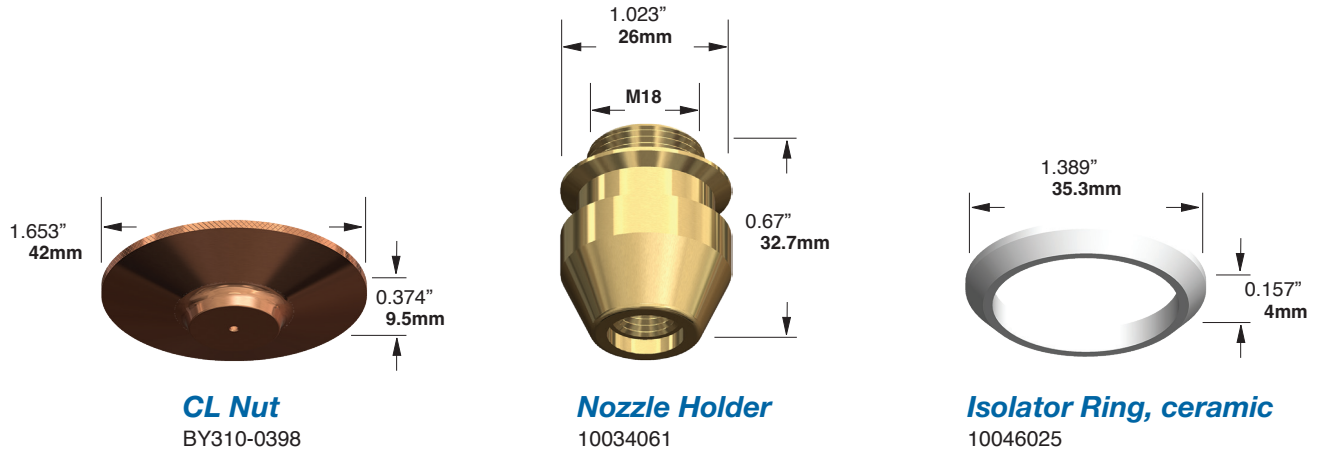
10049747	1.0mm Double	NK1015
10035275	1.2mm Double	NK1215
10035278	1.5mm Double	NK1515
10035290	1.7mm Double	NK1715
10035292	2.0mm Double	NK2015
10035294	2.5mm Double	NK2515
10035296	2.5mm Double W/ 2.0 Inner	NK2520
10035298	3.0mm Double W/ 1.7 Inner	NK3017
10035301	3.0mm Double	NK3020
10035302	3.5mm Double	NK3530

**LASER**

**Parts Available but Not Shown**

10045746 Fused Silica Protective Window 36.0mm x 5.0mm

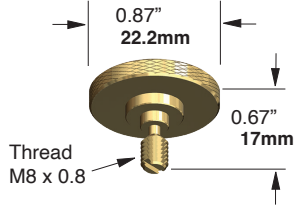
LASER



**BYSPEED AND SPARE PARTS**

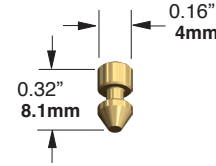
**Knurled Screw**

4-03136



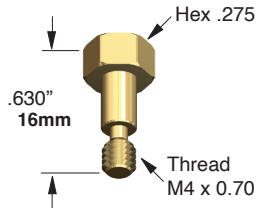
**Pin**

4-03137



**Knurled Screw**

4-00324



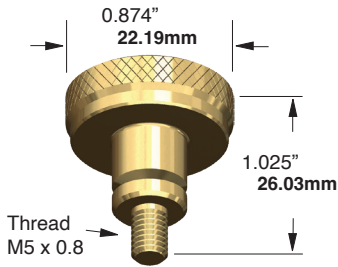
**Knurled Screw**

3-09001



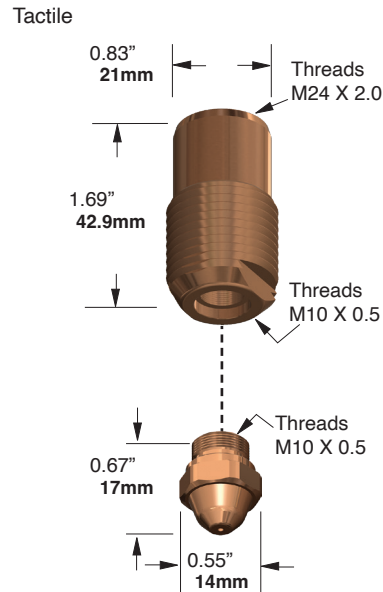
**Knurled Screw**

4-04976



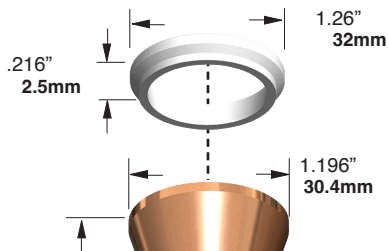
**Nozzle Body**

3-00407



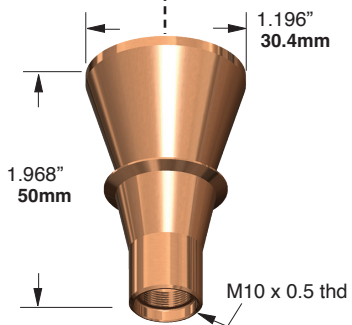
**Insulating Ring**

3-13113



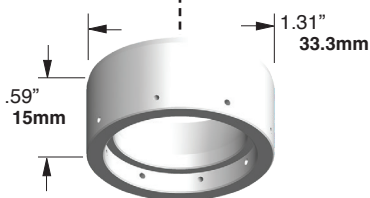
**Nozzle Body - Byspeed**

2-10837



**Insulating Ring**

3-13422



**LASER**

**Nozzle Low Pressure**

3-04271	0.8mm	08
3-01894	1.0mm	10
3-01895	1.25mm	12
3-01896	1.5mm	15
3-01897	1.75mm	17
3-01898	2.0mm	20
3-04272	2.5mm	25

**Nozzle High Pressure**

3-04275	0.8mm	H08
3-01899	1.0mm	H10
3-01900	1.25mm	H12
3-01901	1.5mm	H15
3-01902	1.75mm	H17
3-01903	2.0mm	H20
3-04276	2.5mm	H25

OPTICS FOR BYSTRONIC® LASERS

Focusing Lenses

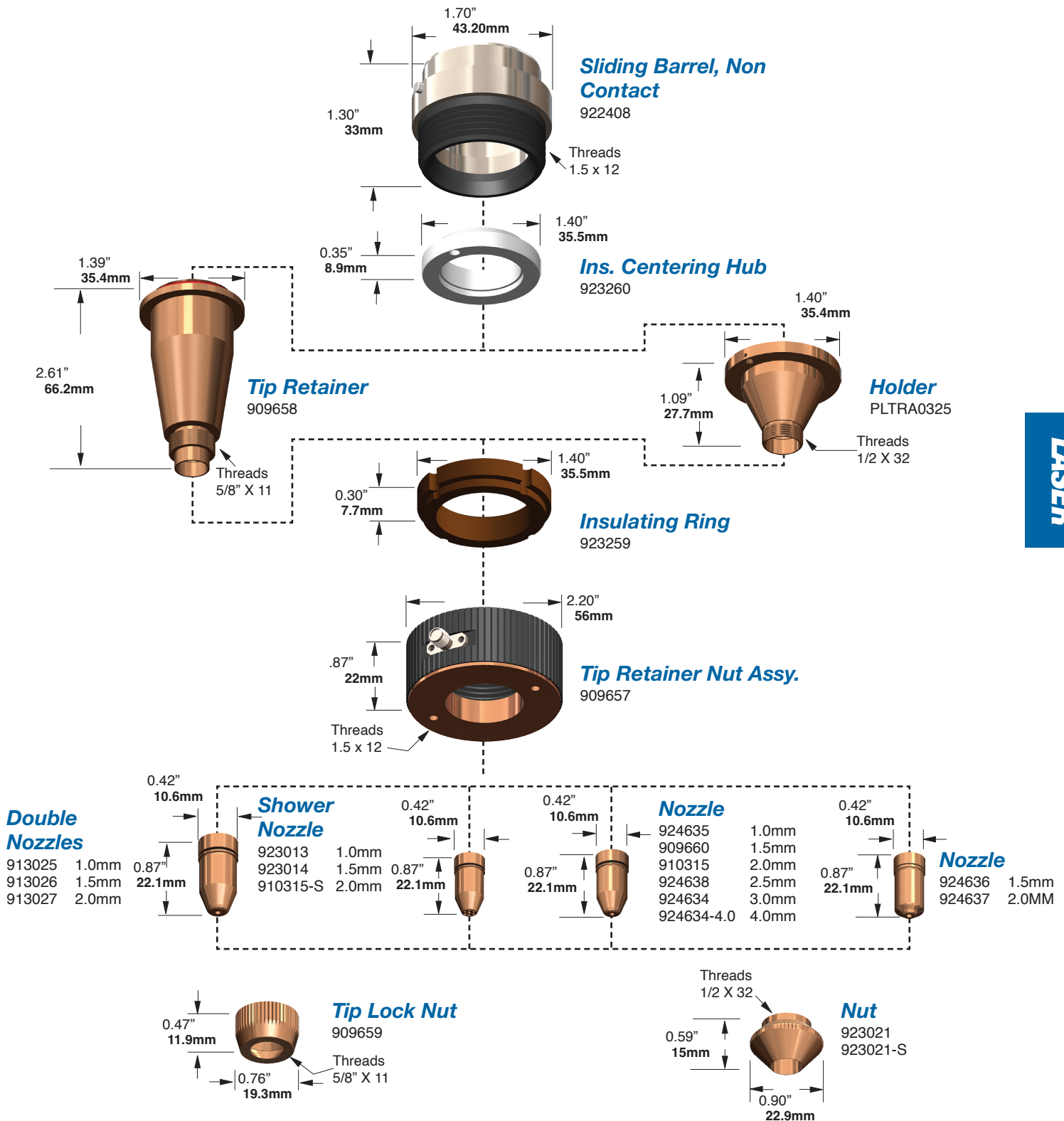
P/N	Lasertec P/N	Material	Diameter	Focal Length	Edge Thickness
4-00184	ZM15250236	ZnSe	1.5"	2.5"	.236"
4-00185	ZM15375236	ZnSe	1.5"	3.75"	.236"
4-00186	ZM15500236	ZnSe	1.5"	5.0"	.236"
4-00187	ZM15750236	ZnSe	1.5"	7.5"	.236"
4-05094	ZM15500350	ZnSe	1.5"	5.0"	.354"
4-05095	ZM15750350	ZnSe	1.5"	7.5"	.354"

Protective Windows

P/N	Material	Diameter	Edge Thickness
10045746	FS	36mm	5mm

LASER

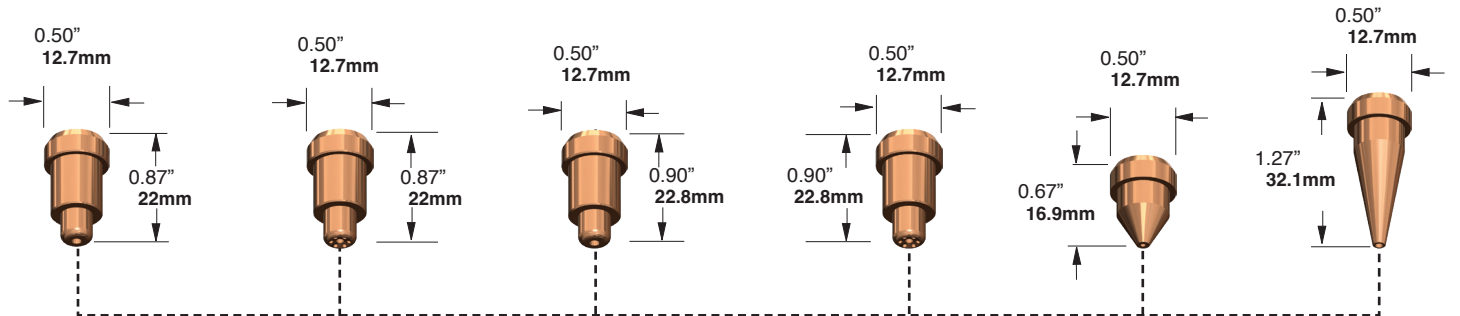
**NON CONTACT HEAD**



**LASER**



CONTACT HEAD



**Standard Nozzle**

907469	1.0mm
907470	1.5mm
907470-1.8	1.8mm
920006	2.0mm
920006-2.5	2.5mm

**Shower Nozzle**

907470-S

**Elongated Nozzle**

908090	1.5mm
908090-2.0	2.0mm

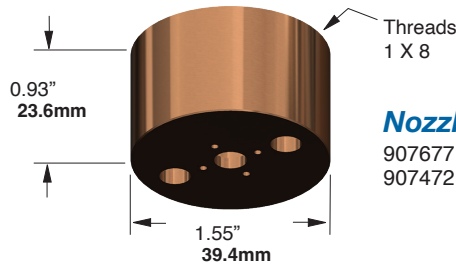
**Shower Nozzle Long**

908090-S

**Nozzle**  
PLGJT0006 .040"

**Nozzle**  
PLGJT0010 .060"

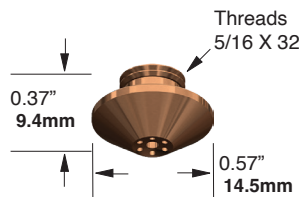
LASER



**Nozzle Holder**

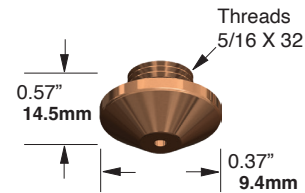
907677 - Includes Seal  
907472 - Seal Only

CINCINNATI<sup>®</sup>  
NON CONTACT



**Shower Nozzle**

922772



**Nozzle**

922464	.060"
922465	.080"
922770	.100"

**OPTICS FOR CINCINNATI® LASERS**

**Focusing Lenses**

P/N	Lasertec P/N	Material	Diameter	Focal Length	Edge Thick-ness
907557	ZC155018160	ZnSe	1.5"	5.018"	.160"
908085	ZC15513280	ZnSe	1.5"	5.18"	.280"
909484	ZC15763280	ZnSe	1.5"	7.63"	.280"
922376	ZC20769380	ZnSe	2.0"	7.69"	.380"
922377	ZC20519380	ZnSe	2.0"	5.19"	.380"

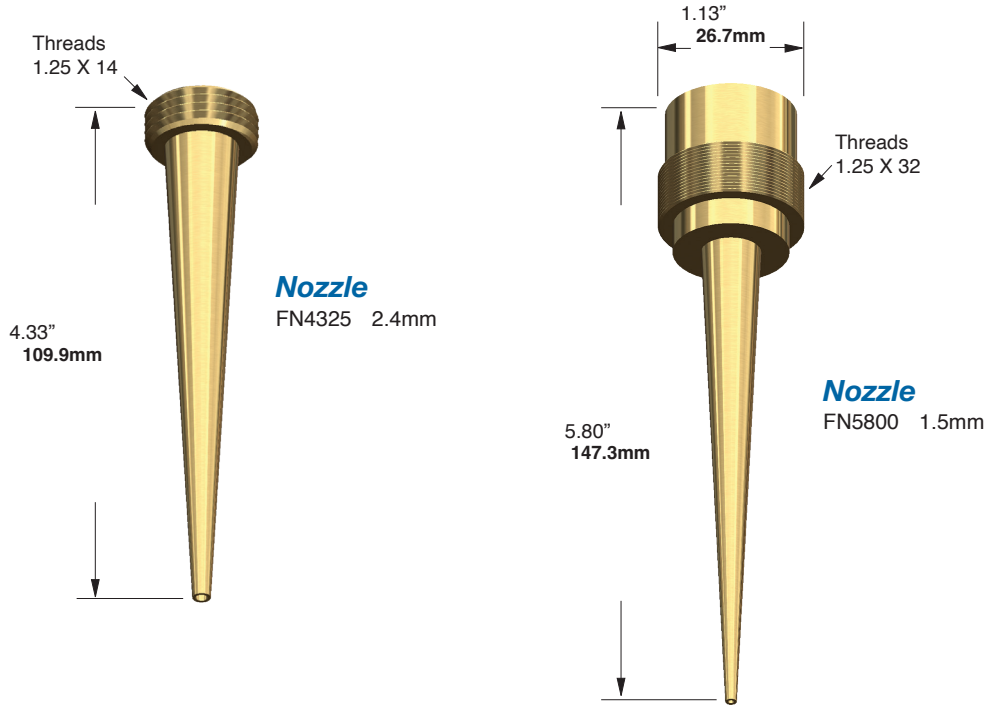
**Protective Windows**

P/N	Material	Diameter	Edge Thickness
913987	FS	38.1mm	1.6mm



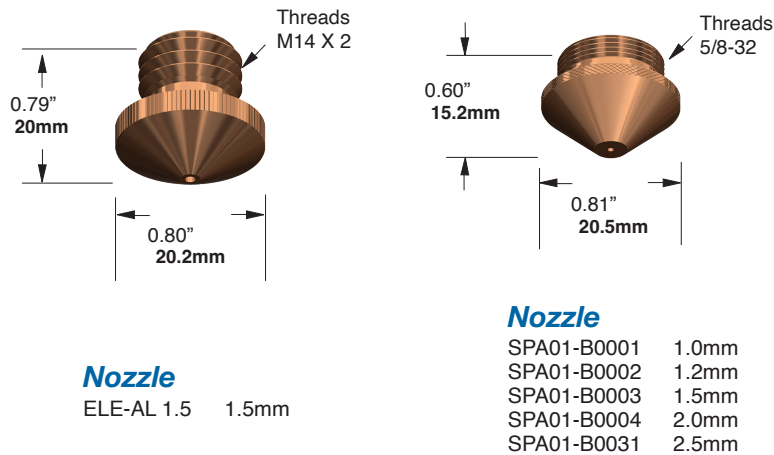
**DIRECTED LIGHT<sup>®</sup> / ELECTROX**

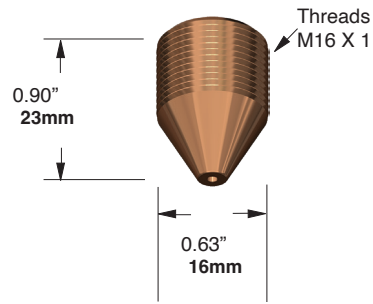
**DIRECTED LIGHT<sup>®</sup>**



**LASER**

**ELECTROX**



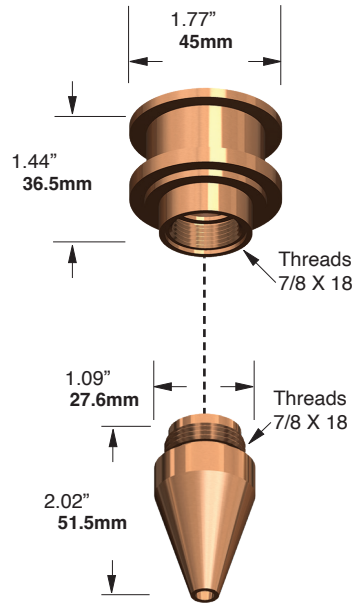


**Nozzle**

26-71270-60 1.5mm

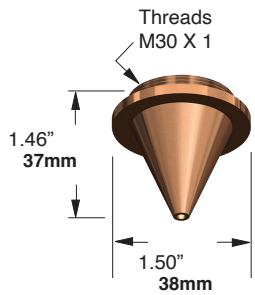
LASER

**LASER**

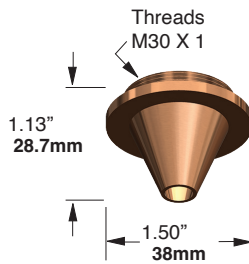


**Adapter**  
100.703.4

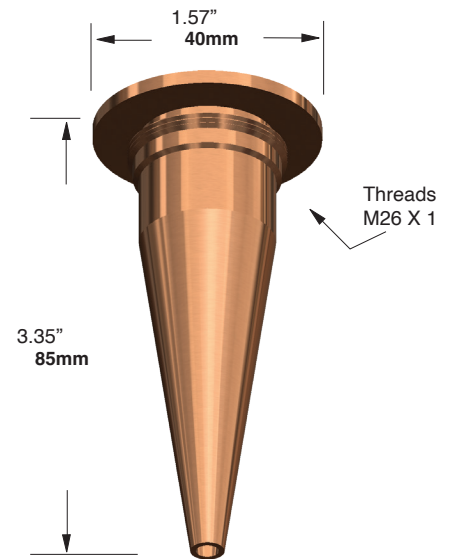
**Adapter Tip**  
100.703.3 5mm



**Powder Cone**  
100.703.2-2.5 2.5mm

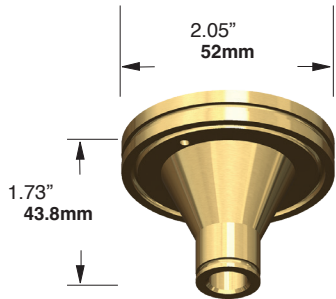


**Nozzle**  
100.703.2 7.4mm

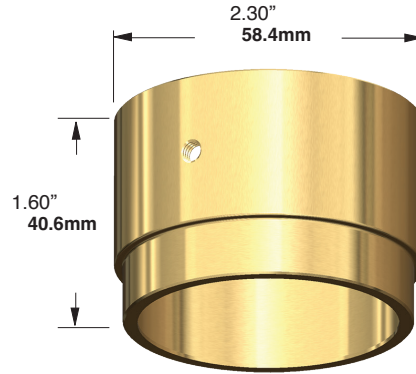


**Beam Cone**  
100.703.5

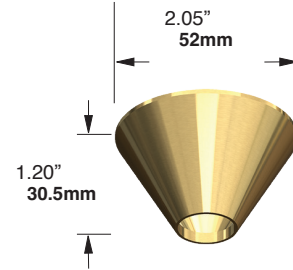




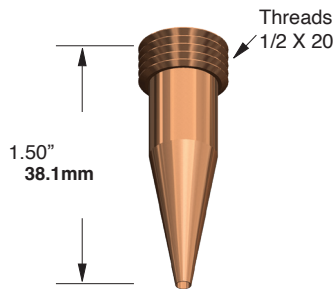
**Housing, Main Body**  
216-20720



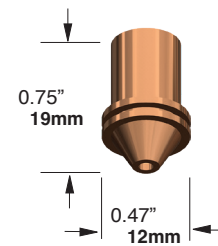
**Housing Cover**  
216-20718



**Housing, Water**  
216-20717



**Nozzle, Inner**  
216-20719



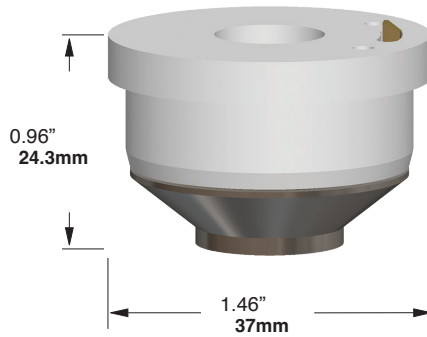
**Nozzle, Outer**  
216-20722 .080

**Parts Available but Not Shown**

- 216-20815 Nozzle, Outer Cladding
- 216-10606 Cladding Nozzle Assembly

LASER

LASER

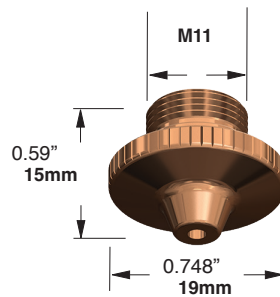


**Nozzle Holder ceramic**

HCH-S01201

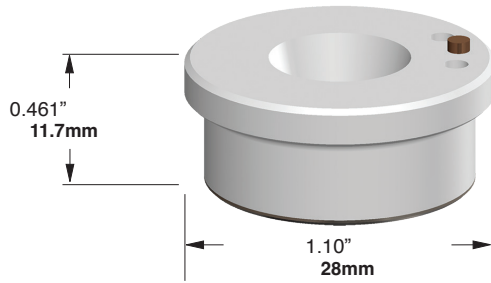
**Nozzle N**

MX-0989	1.0mm
MX-0990	1.2mm
MX-0991	1.5mm
MX-0993	1.5mm
MX-0992	2.0mm
MX-0994	2.5mm
MX-0995	3.0mm

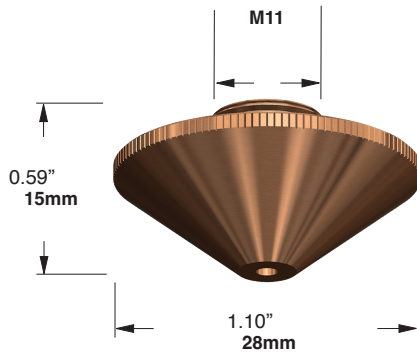


**Nozzle Double N**

HCH-TP1515	1.5mm
HCH-TP1520	2.0mm
HCH-TP1525	2.5mm
HCH-TP2030	3.0mm



**Nozzle Holder ceramic**  
MX-0875



**Nozzle HD**

P0591-571-00010 / MX-0860	1.0mm
P0591-572-00012 / MX-0861	1.2mm
P0591-573-00015 / MX-0862	1.5mm
P0591-574-00018 / MX-0863	1.8mm
P0591-575-00020 / MX-0864	2.0mm
P0591-576-00025 / MX-0865	2.5mm

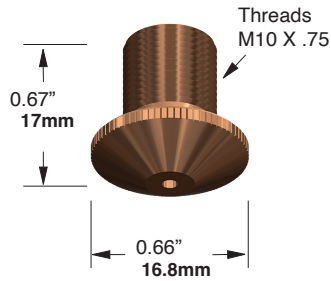
**Nozzle Double**

P0591-002-00010	1.0mm/inner	1.5mm
P0591-002-00012	1.2mm/inner	1.5mm
P0591-002-00015 / H03019	1.5mm/inner	1.5mm
P0591-002-00018 / H03021	1.8mm/inner	1.5mm
P0591-002-00020 / H03014	2.0mm/inner	1.5mm
P0591-002-00023 / H03017	2.5mm/inner	1.5mm
P0591-002-00025 / H03023	3.0mm/inner	1.5mm

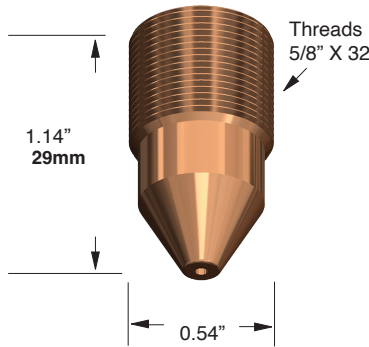
**LASER**

KOMATSU® / LASAG®

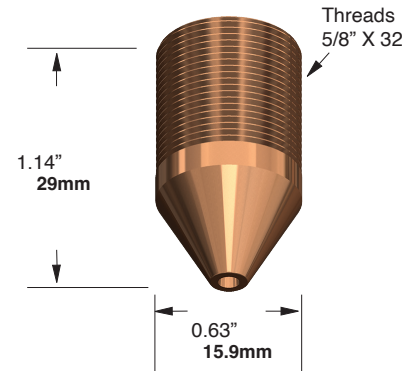
KOMATSU®



**Nozzle**  
968-41-93-761 1.7mm



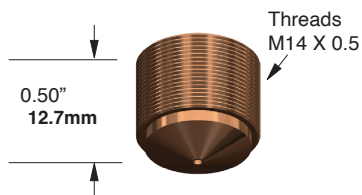
**Nozzle Standard**  
968-41-57-812 1.4mm  
968-41-57-812-1.6 1.6mm



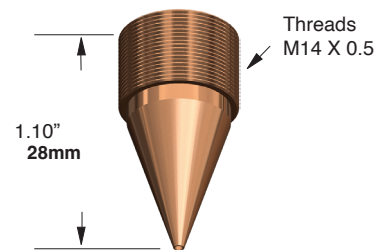
**Nozzle Special**  
968-41-57-850 2.0mm

LASER

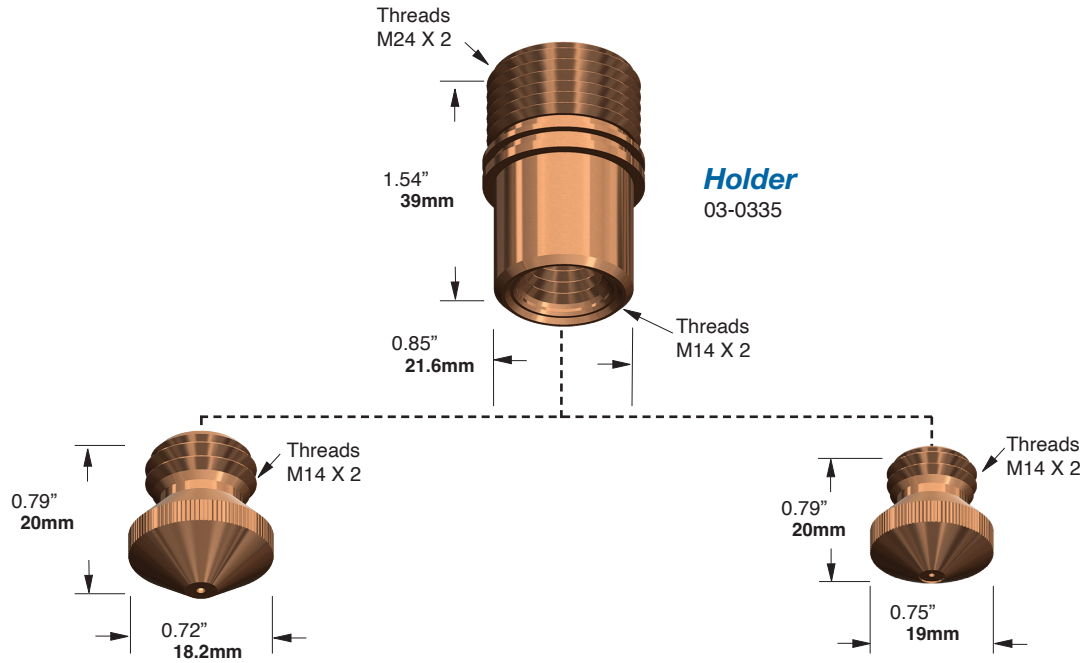
LASAG®



**Nozzle Short**  
LASAG.SHORT 1.0mm



**Nozzle Long**  
LASAG.LONG 1.0mm



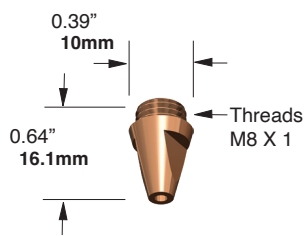
**Nozzle High Pressure**

01-2293	0.5mm
00-2293	1.2mm
03-2293	1.5mm
03-2293-1.8	1.8mm
02-2293	2.0mm
02-2293-2.5	2.5mm
02-2293-3.0	3.0mm

**Nozzle Low Pressure**

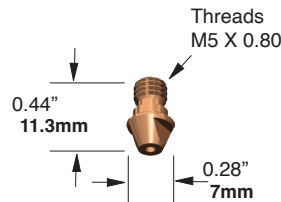
160-1	1.0mm
160-2	1.2mm
160-3	1.5mm

**LASER**



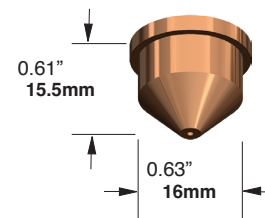
**Nozzle**

03-0916 2.0mm



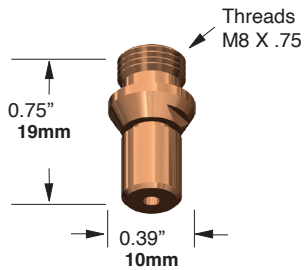
**Nozzle**

03-8358 1.5mm



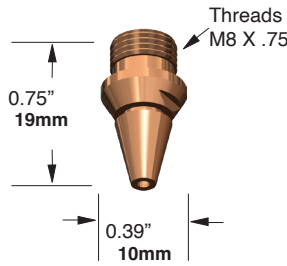
**Nozzle**

03-210T	1.0mm
03-8720	1.2mm
03-214T	1.4mm
03-215T	1.5mm
03-217T	1.7mm
03-8729	2.0mm
03-224T	2.4mm
03-225T	2.5mm
03-230T	3.0mm



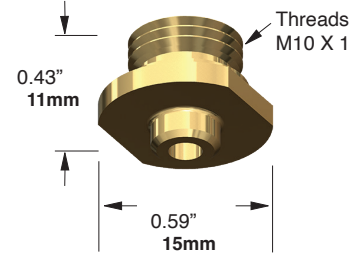
**Nozzle**

485.73.421 / 485.73.114C	1.5mm
485.73.422 / LW3.46.101A	2.0mm
485.73.423	2.5mm
485.73.424	3.0mm



**Nozzle Tapered**

485.73.115A	1.5mm
485.73.116A	2.0mm



**Nozzle**

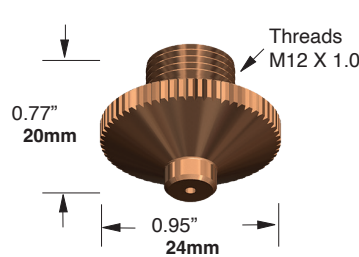
710.11.153	1.0mm
710.11.150	1.5mm
710.11.152	2.0mm
710.11.155	2.5mm
710.11.156	3.0mm

LASER



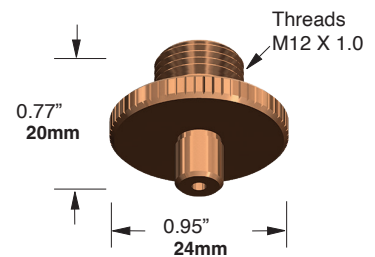
**Ceramic Nozzle Holder Assy.**

LW6.59.130A



**Nozzle**

LW6.1E.111	1.5mm
LW6.1E.111-1.75	1.75mm
LW6.1E.112	2.0mm
LW6.1E.113	2.5mm
LW6.1E.114	3.0mm



**Nozzle**

LW6.1G.600	1.5mm
LW6.1G.601	2.0mm
LW6.1G.602	2.5mm
LW6.1G.603	3.0mm



OPTICS FOR LASERDYNE® / PRIMA® LASERS

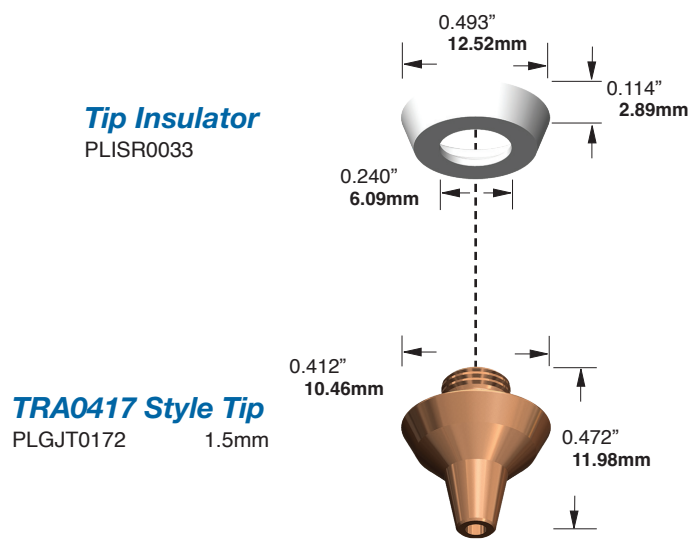
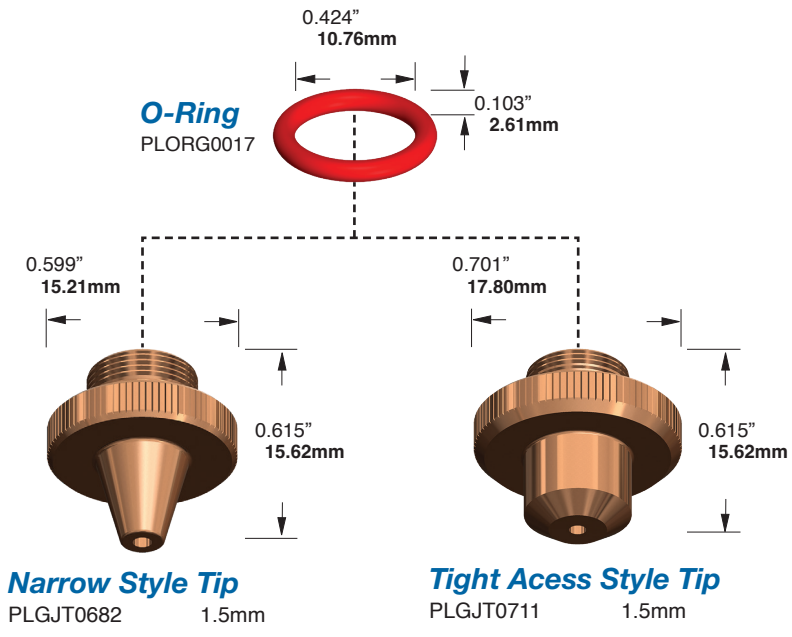
Focusing Lens

P/N	Lasertec P/N	Material	Diameter	Focal Length	Edge Thickness
834-319-001	ZC15250236	ZnSe	1.5"	2.5"	.236"
834-319-002	ZC15500236	ZnSe	1.5"	5.0"	.236"
834-319-003	ZC15750236	ZnSe	1.5"	7.5"	.236"
834-319-004	ZC15100236	ZnSe	1.5"	1.0"	.236"
834-319-009	ZC15375236	ZnSe	1.5"	3.75"	.236"
834-319-010	ZM15375236	ZnSe	1.5"	3.75"	.236"
834-319-011	ZC15500300	ZnSe	1.5"	5.0"	.300"
834-319-012	ZC15750300	ZnSe	1.5"	7.5"	.300"

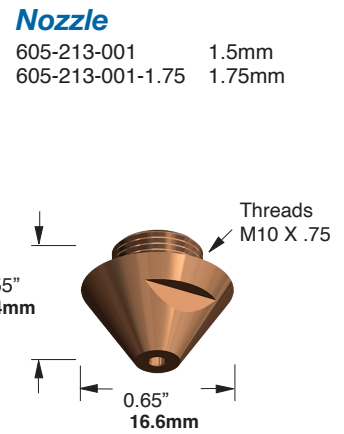
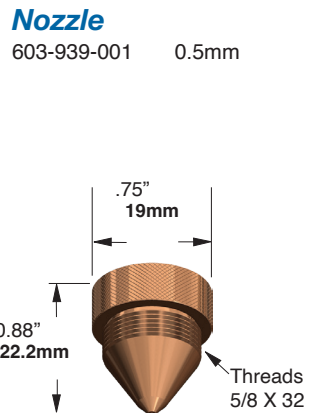
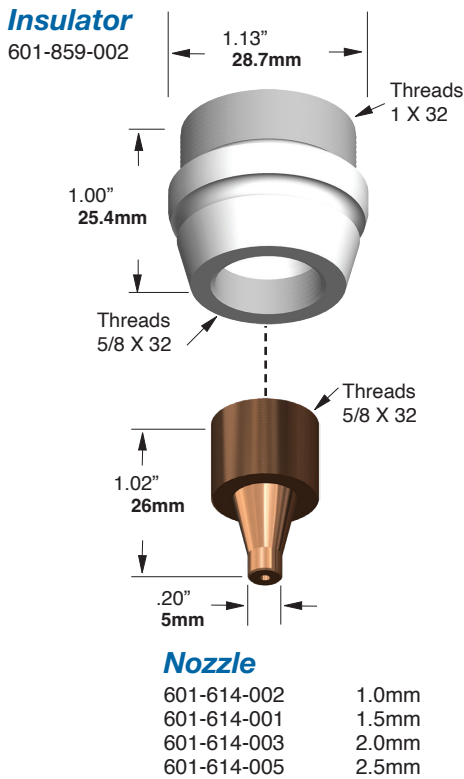
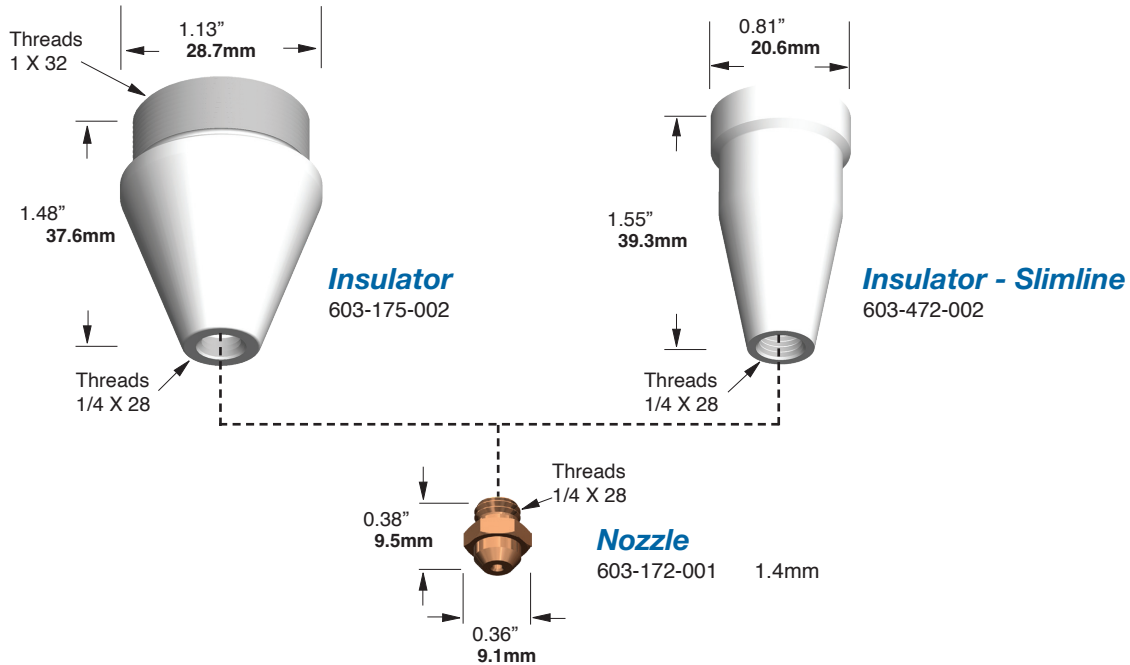


FIBERCUT™ ST

LASER



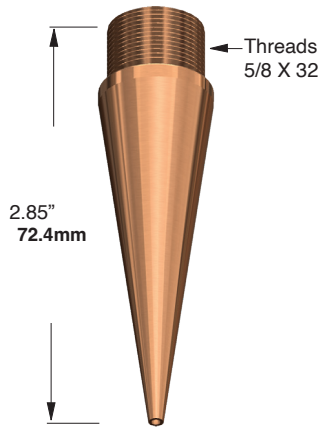
PHD™, PHDX™, Lightning®, Waltec™, Integra™, Lasertec® Laser Division of American Torch Tip®, Multi-Use™ and ProMix™ are trademarks owned by American Torch Tip Company. American Torch Tip Company is in no way affiliated with the above-named original equipment manufacturer(s). References to the above-named machines, torches, and numbers are for your reference only. Most parts advertised for sale are made by or for American Torch Tip, and other parts as indicated, are original parts manufactured by above-named, original equipment manufacturer (OEM) and are simply being re-sold by American Torch Tip. Footnotes: \* = OEM; # = American Torch Tip is licensed to make and sell this part by named manufacturer; ATTC and ATT suffix = This part is an original American Torch Tip design and is not manufactured identical to the OEM design; ® indicates a registered trademark, trade name, or product name of the above-named company. © Copyright 2023, American Torch Tip Company



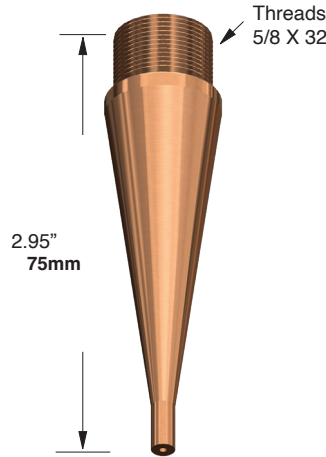
LASER

LUMONICS / MAZAK<sup>®</sup>

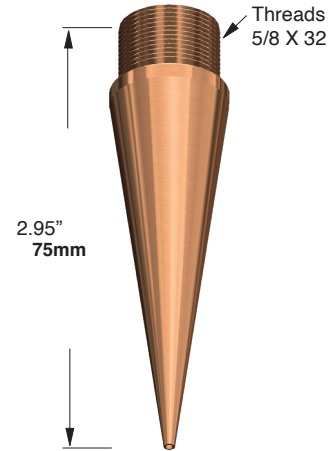
LUMONICS



**Nozzle**  
603-271-003 1.5mm  
603-271-005



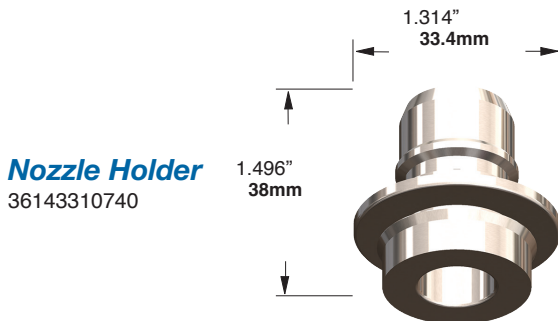
**Nozzle**  
603-271-002 1.2mm  
603-271-002-1.5S 1.5mm  
603-271-002-2.0 2.0mm



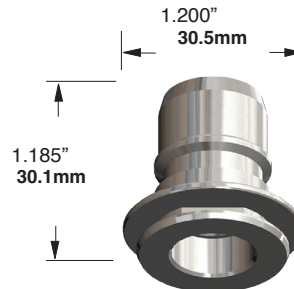
**Nozzle**  
603-271-001 1.2mm  
603-271-001-2.8 2.8mm

LASER

MAZAK<sup>®</sup>

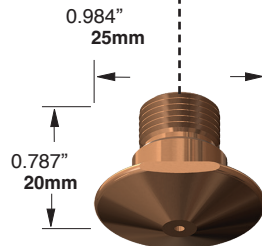


**Nozzle Holder**  
36143310740



**Nozzle Holder Hyper Gear**  
36143304420

**Nozzle**  
46143304470 1.2mm  
46143304450 1.5mm  
46143304460 2.0mm  
46143304480 2.5mm  
46143304490 3.0mm  
46143304500 3.5mm  
46143304510 4.0mm

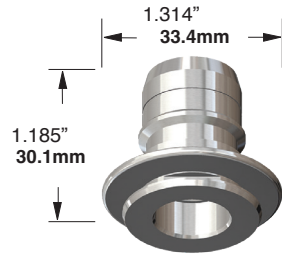


**Double Nozzle**  
46143306450 1.5mm  
46143306460 2.0mm  
46143306480 2.5mm  
46143306490 3.0mm  
46143306500 3.5mm  
46143306510 4.0mm

**LASER**

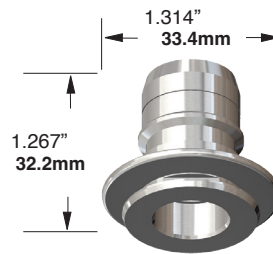
**Nozzle Holder**

36143310522



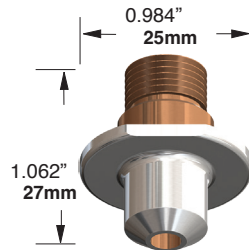
**Nozzle Holder**

36143310523



**Nozzle Pencil**

- 36143312220 1.2mm
- 36143312230 1.5mm
- 36143312240 2.0mm
- 36143312250 2.5mm
- 36143312260 3.0mm
- 36143312270 3.5mm
- 36143312280 4.0mm

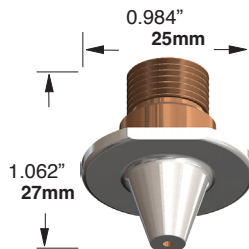


**Nozzle Double Pencil**

- |             |       |             |                   |
|-------------|-------|-------------|-------------------|
| 36143312300 | 1.5mm | 06283301050 | 4.5mm/inner 1.2mm |
| 36143312310 | 1.8mm | 06283301200 | 5.0mm/inner 1.2mm |
| 36143312311 | 2.0mm | 06283301210 | 5.5mm/inner 1.2mm |
| 36143312320 | 2.5mm | 06283301840 | 5.5mm/inner 2.0mm |
| 36143312330 | 3.0mm | 06283302110 | 7.0mm/inner 1.8mm |
| 36143312340 | 3.5mm | Q6143300020 | SUS 3.5mm         |
| 36143312350 | 4.0mm | Q6143300030 | SUS 4.0mm         |
|             |       | Q6143300040 | SUS 4.5mm         |

**Nozzle Slim**

- 46143310332 1.0mm
- 46143310341 1.2mm
- 46143310351 1.5mm
- 46143310361 2.0mm
- 46143310371 2.5mm
- 46143310381 3.0mm
- 46143310391 3.5mm
- 46143310401 4.0mm

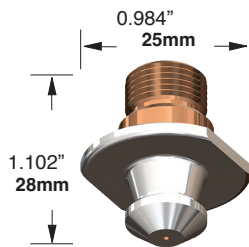


**Nozzle Double Slim**

- 36143311500 1.5mm
- 36143311510 2.0mm
- 36143311520 2.5mm
- 36143311530 3.0mm
- 36143311535 3.5mm
- 36143312390 4.0mm

**Nozzle Pencil**

- 06283301790 1.0mm HP
- 06283301800 1.2mm HP
- 06283301810 1.5mm HP

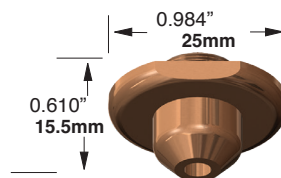


**Nozzle Double Pencil**

- 0628331820 1.5mm HP

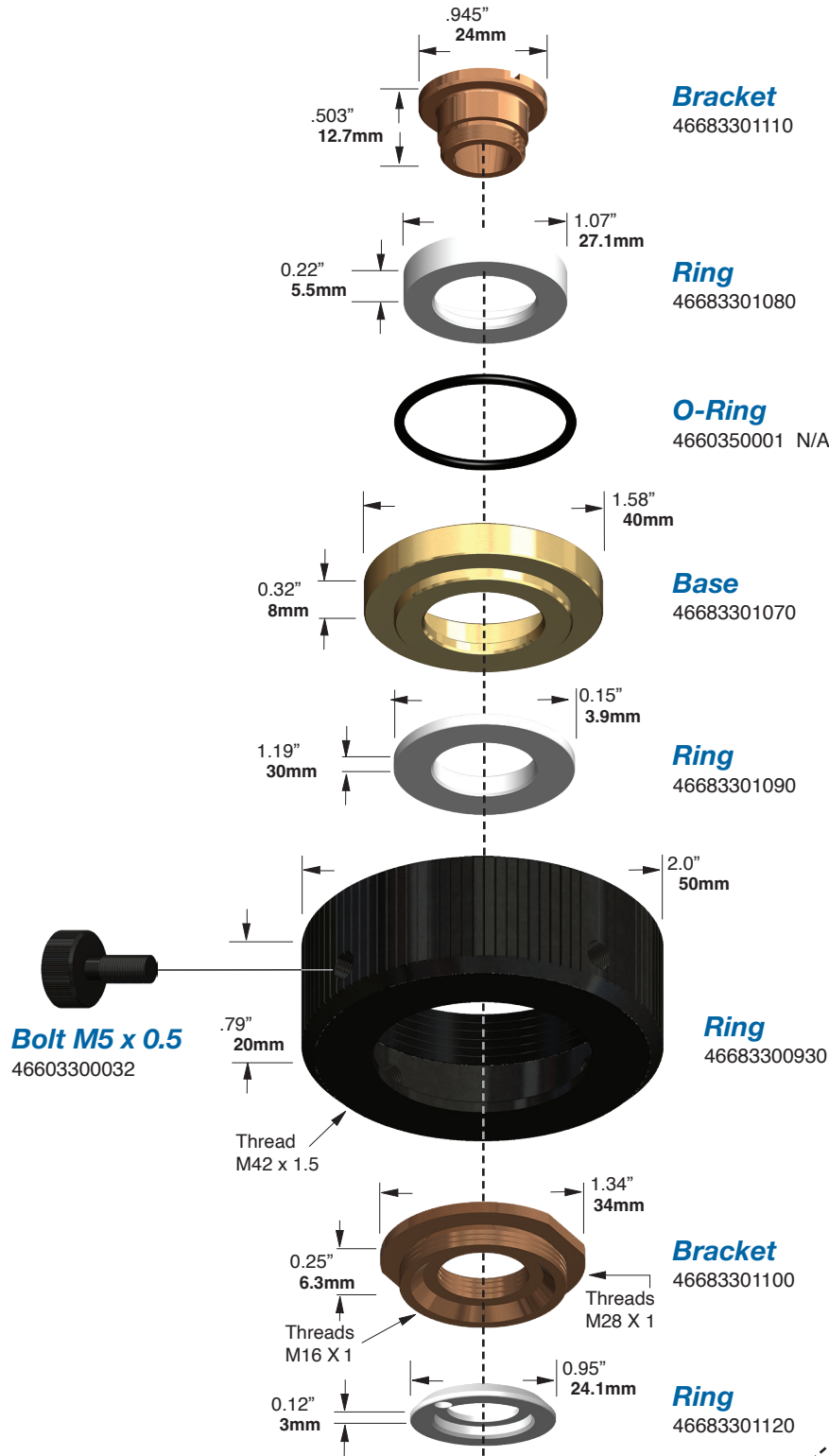
**Nozzle Double Smooth**

- Q6283300030 6.0mm
- Q6283300020 7.5mm
- Q6283300010 9.5mm



**SUPER CHARGE X510**

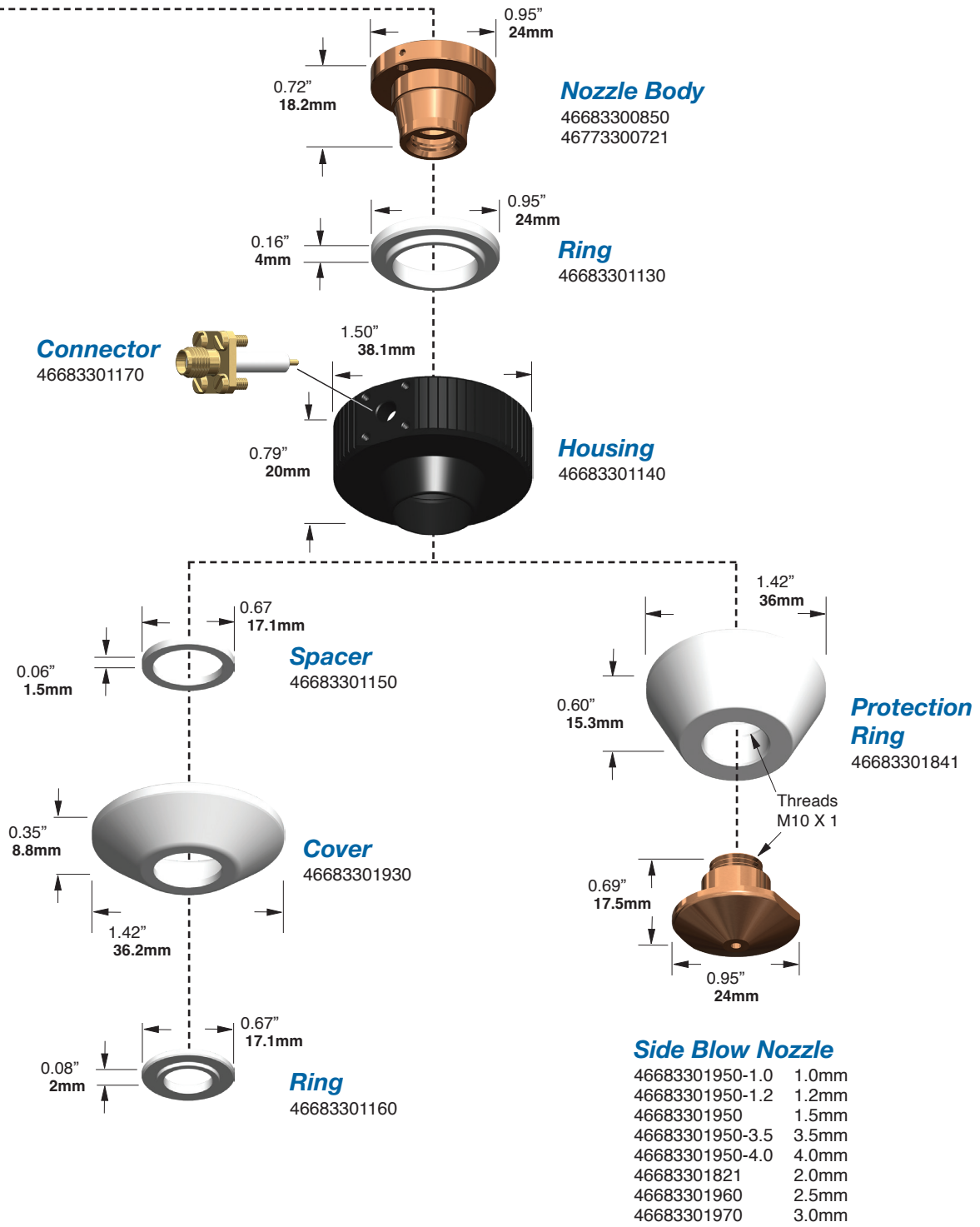
LASER



Continued on next page



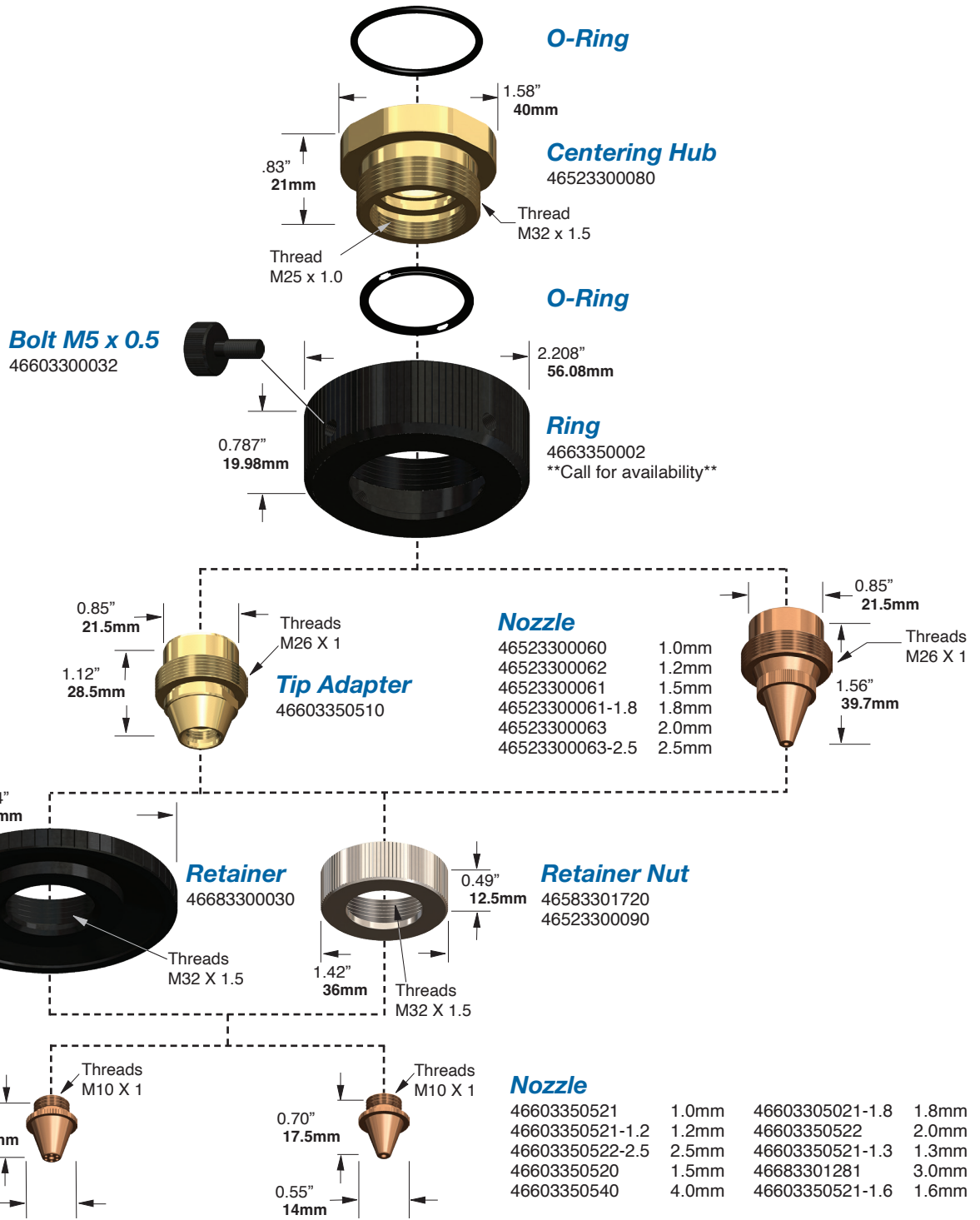
**SUPER CHARGE X510**



**LASER**

TURBO 10KW

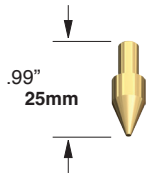
LASER



PHD™, PHDX™, Lightning®, Waltec™, Integra™, Lasertec® Laser Division of American Torch Tip®, Multi-Use™ and ProMix™ are trademarks owned by American Torch Tip Company. American Torch Tip Company is in no way affiliated with the above-named original equipment manufacturer(s). References to the above-named machines, torches, and numbers are for your reference only. Most parts advertised for sale are made by or for American Torch Tip, and other parts as indicated, are original parts manufactured by above-named, original equipment manufacturer (OEM) and are simply being re-sold by American Torch Tip. Footnotes: \* = OEM; # = American Torch Tip is licensed to make and sell this part by named manufacturer; ATTC and ATT suffix = This part is an original American Torch Tip design and is not manufactured identical to the OEM design; ® indicates a registered trademark, trade name, or product name of the above-named company. © Copyright 2023, American Torch Tip Company

**Table Pin**

46600030013



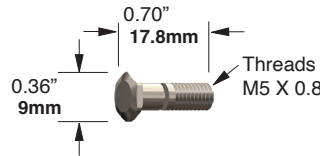
**Stylus Pin**

46522300242



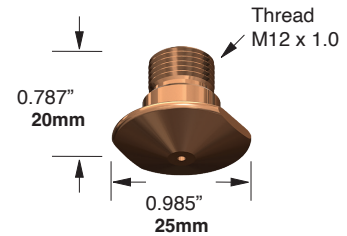
**Shear Pin**

46654801053

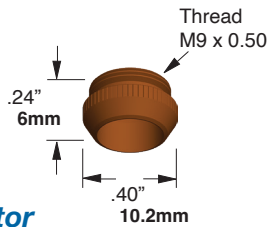


**Nozzle**

46143304450	1.5	46143304480	2.5
46143304460	2.0	46143304490	3.0
46143304470	1.2		

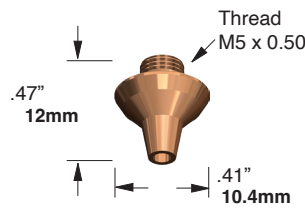


**HNZ**



**Insulator**  
46713300320

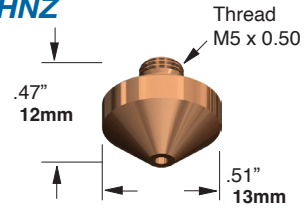
**HNZ**



**Tip, Cu - 3D**

46713300280	2.0mm
46713300410	1.2mm
46713300290	1.5mm
46713300430	3.0mm

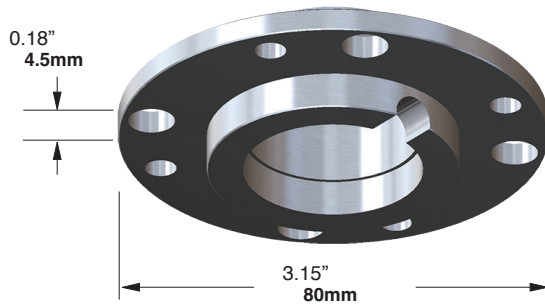
**HNZ**



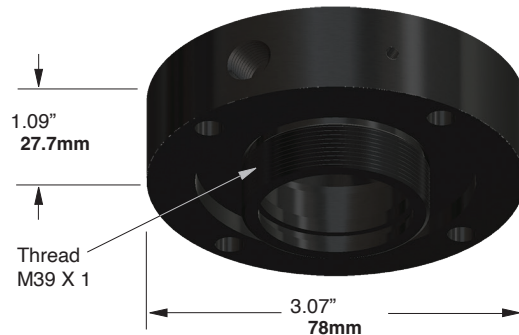
**Tip, Cu - 2D**

46713300300	2.0mm
46713300310	1.5mm
46713300440	3.0mm

**LASER**



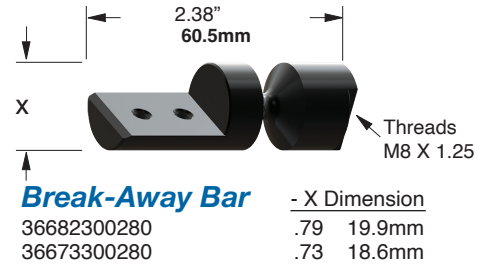
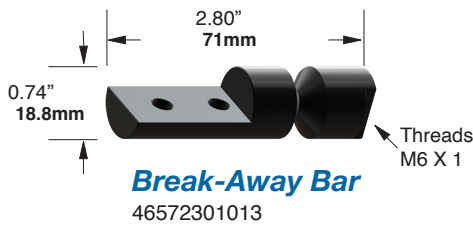
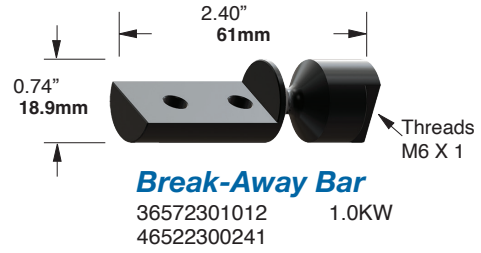
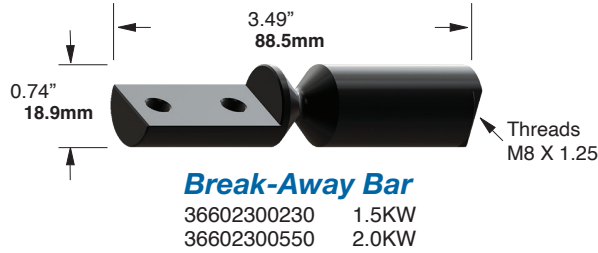
**Aluminum Base**  
36623300700



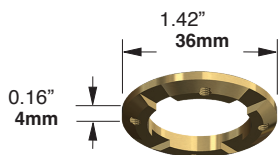
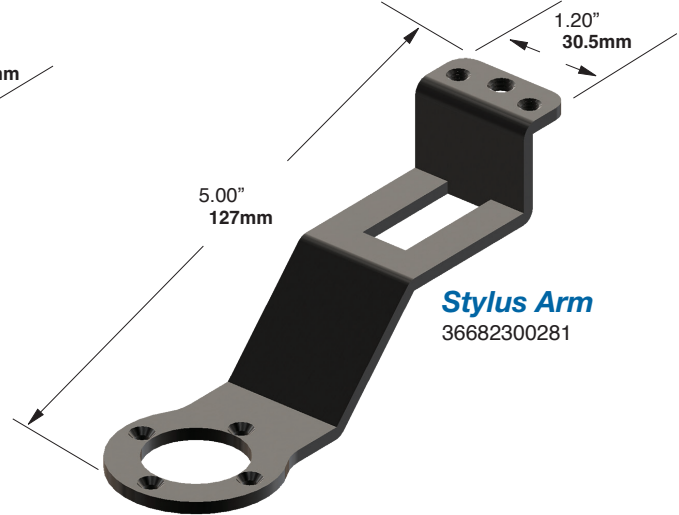
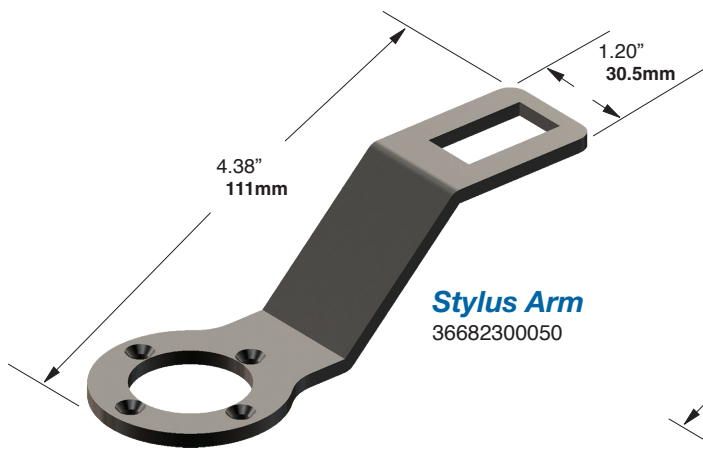
**Base**  
36564800714  
36564801270

**Not Shown**

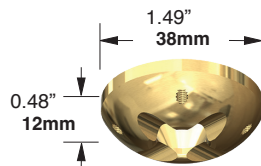
46683301980 Cable  
56743300500-Rebuild Sensor Rebuild HNZ



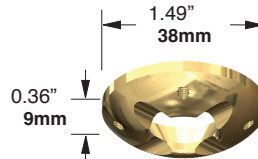
LASER



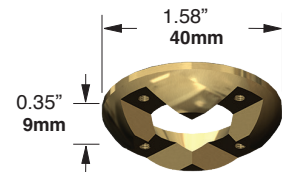
**Stylus Foot 1KW**  
 46512300520



**Stylus Foot 1.5KW**  
 46572301041 Brass  
 46572301042 Brass  
 46572301042S Steel  
 46572301041T Teflon™



**Stylus Foot 2.0KW**  
 46602350070 Brass  
 46602350080 Brass  
 46602350080S Steel  
 46602350080X Teflon™



**Stylus Foot**  
 46612350280 Copper  
 46612350280S Steel  
 46612350270 Brass

**OPTICS FOR MAZAK® LASERS**

**Focusing Lenses**

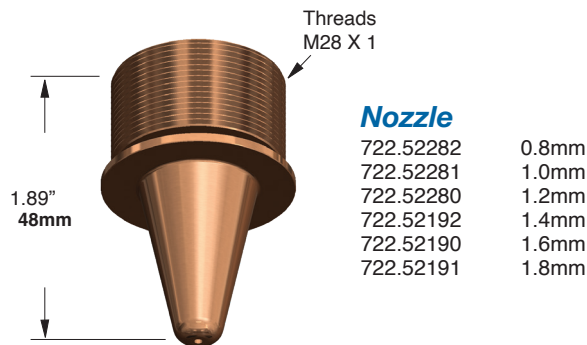
P/N	Lasertec P/N	Material	Diameter	Focal Length	Edge Thickness
Z50MB000130	ZC15500118	ZnSe	1.5"	5.0"	.118
Z50MB000160	ZC15500236	ZnSe	1.5"	5.0"	.236"
Z50MB000400	ZC15500310	ZnSe	1.5"	5.0"	.310"
Z50ZZ005150	ZC20500120	ZnSe	2.0"	5.0"	.120"
Z50ZZ005160	ZC20500310	ZnSe	2.0"	5.0"	.310"
Z50ZZ005190	ZC20750197	ZnSe	2.0"	7.5"	.197"
Z50ZZ005200	ZC20750380M	ZnSe	2.0"	7.5"	.380"

**Protective Windows**

P/N	Material	Diameter	Edge Thickness
W495	FS	42mm	9mm

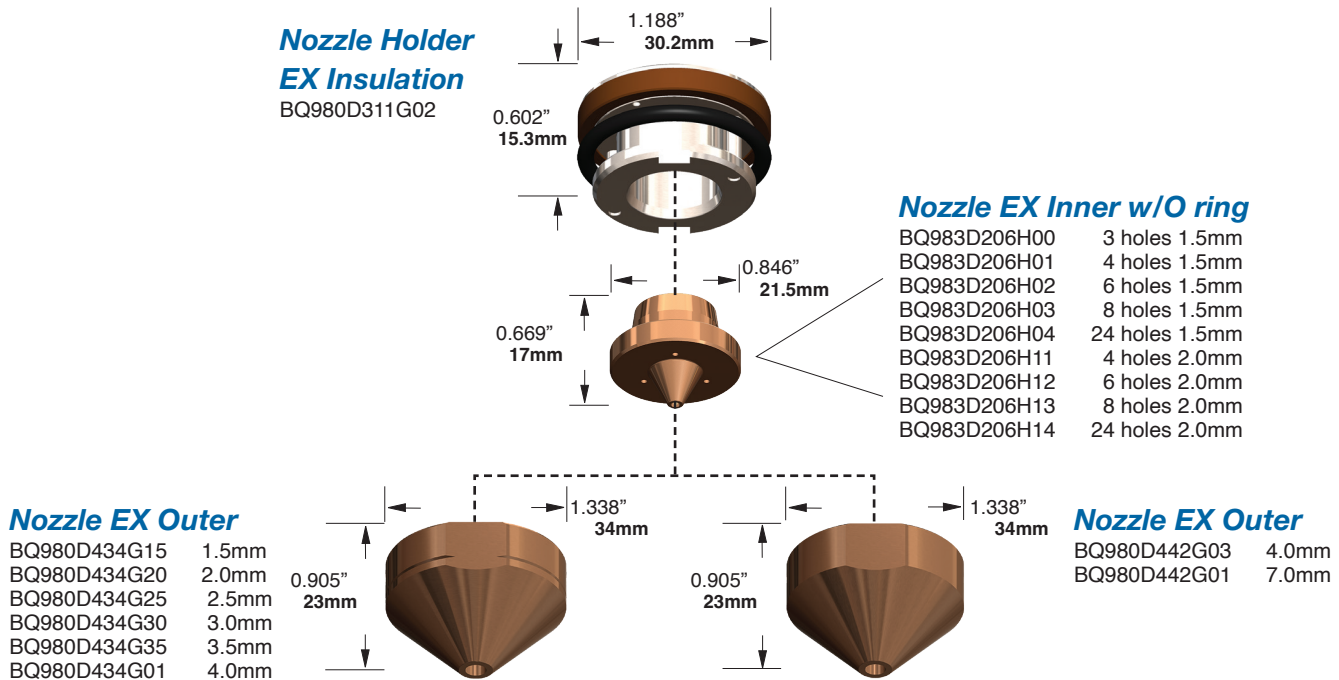
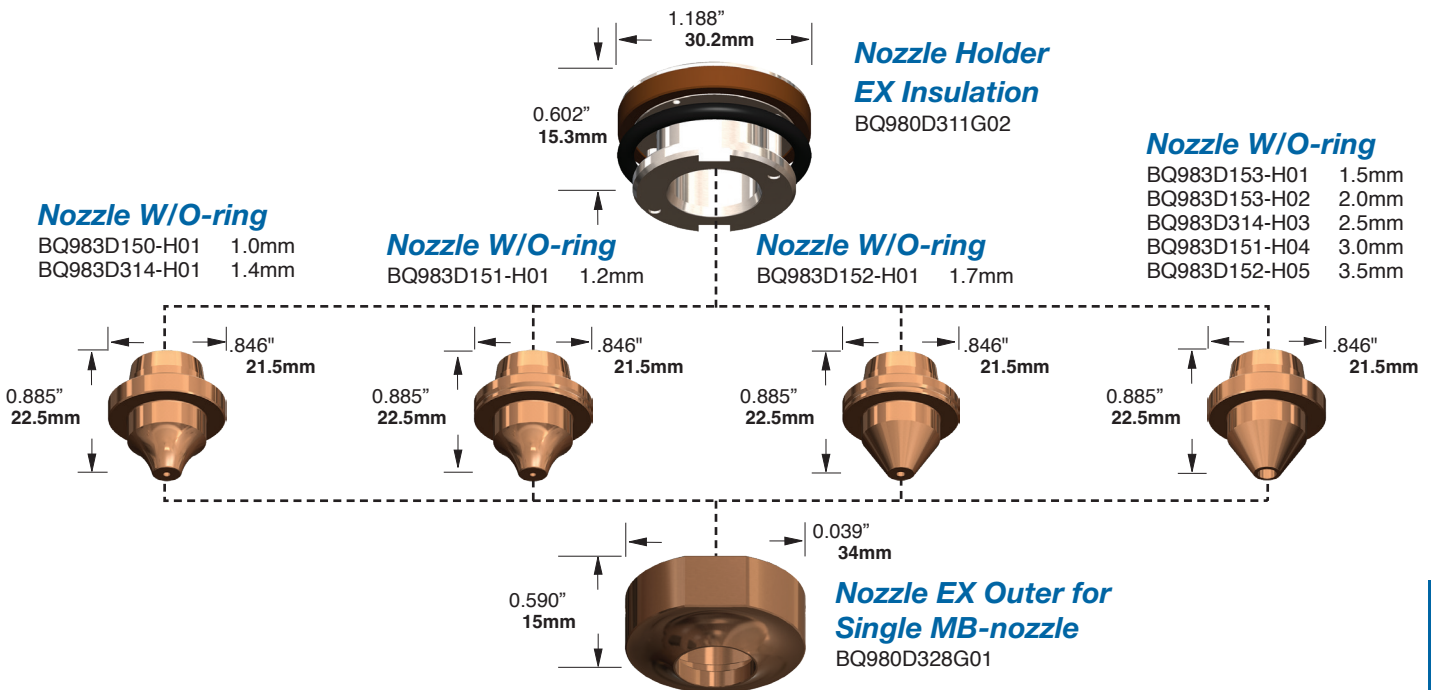


MESSER



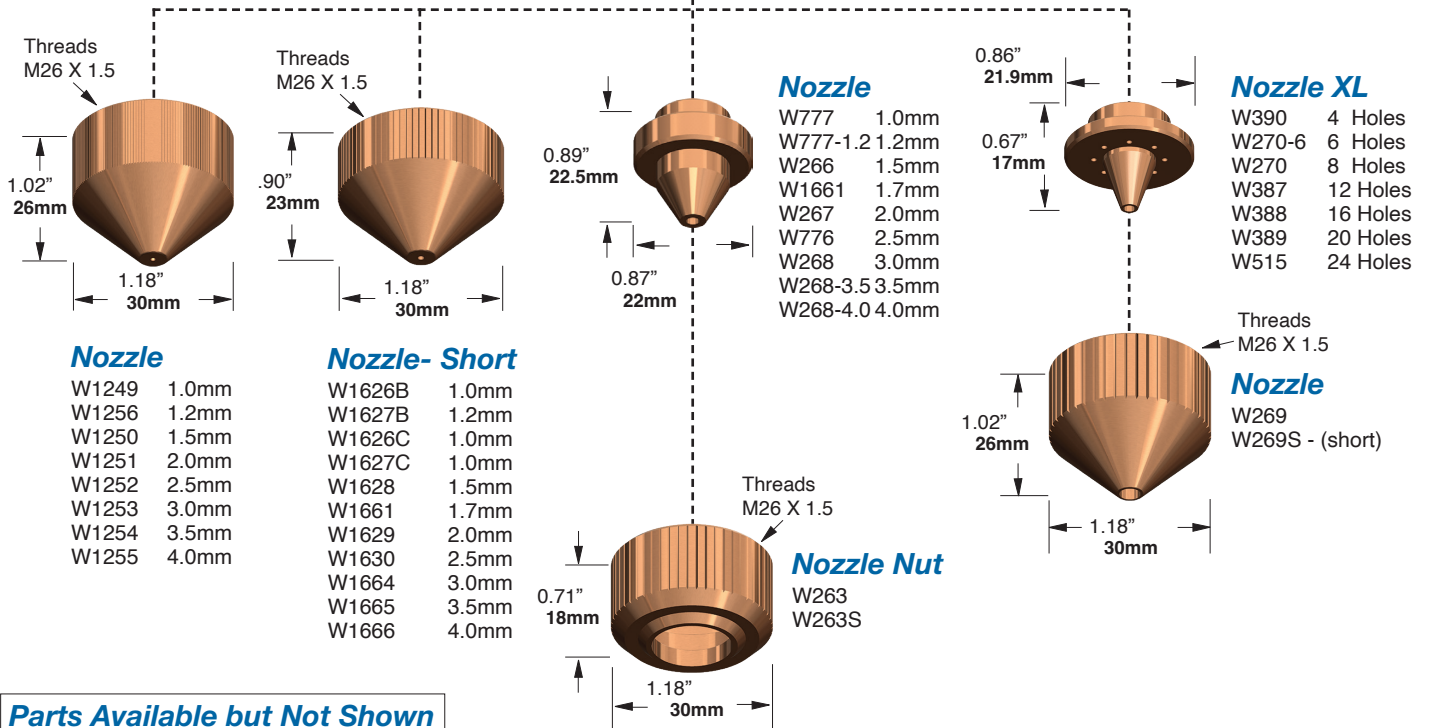
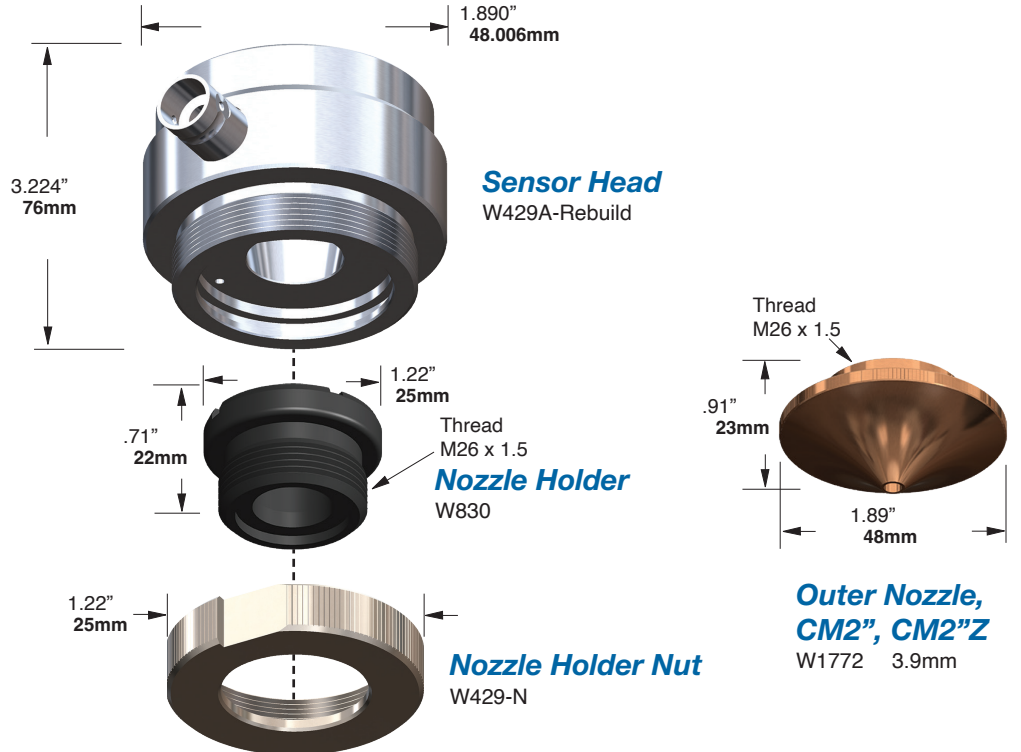
LASER





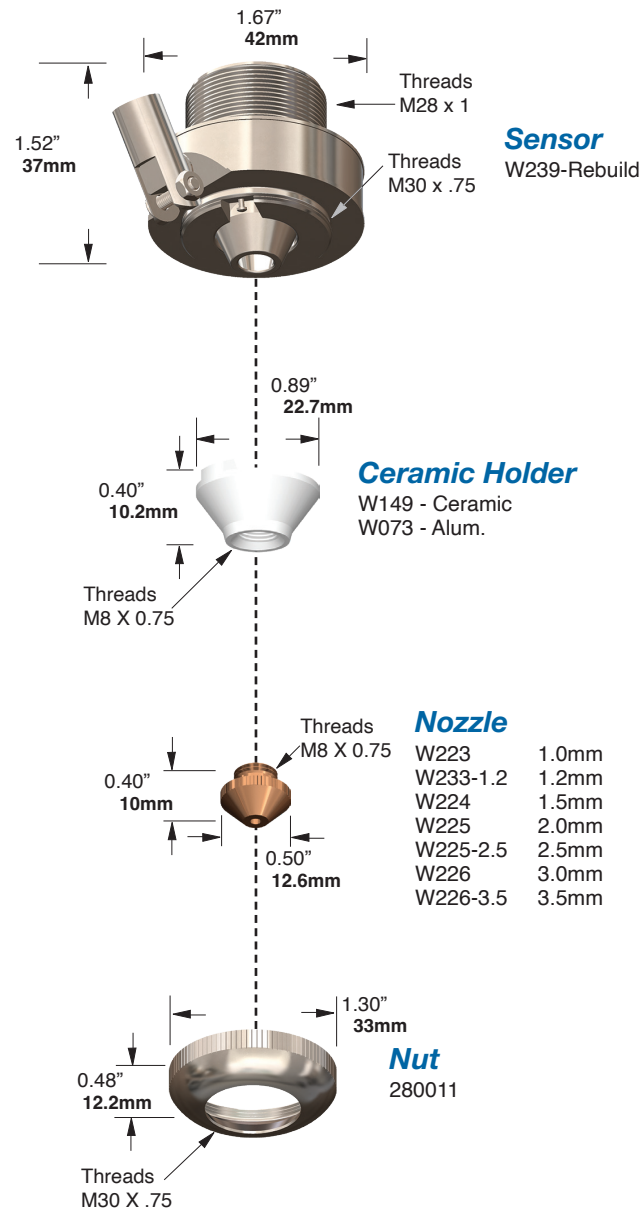
LX/LXP

LASER



**Parts Available but Not Shown**  
 W1075 90° BNC Adapter  
 W812A BNC Cable

PHD™, PHDX™, Lightning®, Waltec™, Integra™, Lasertec® Laser Division of American Torch Tip®, Multi-Use™ and ProMix™ are trademarks owned by American Torch Tip Company. American Torch Tip Company is in no way affiliated with the above-named original equipment manufacturer(s). References to the above-named machines, torches, and numbers are for your reference only. Most parts advertised for sale are made by or for American Torch Tip, and other parts as indicated, are original parts manufactured by above-named, original equipment manufacturer (OEM) and are simply being re-sold by American Torch Tip. Footnotes: \* = OEM; # = American Torch Tip is licensed to make and sell this part by named manufacturer; ATTC and ATT suffix = This part is an original American Torch Tip design and is not manufactured identical to the OEM design; ® indicates a registered trademark, trade name, or product name of the above-named company. © Copyright 2023, American Torch Tip Company

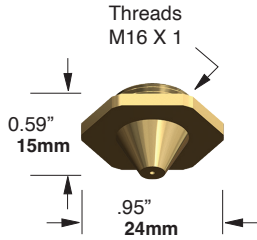


**LASER**

**Contact Head**

**Nozzle**

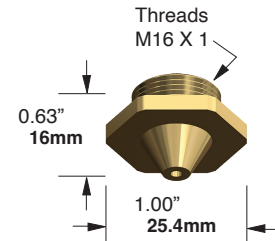
W001-1.0A	1.0mm
W001-A	1.5mm
W002-A	2.0mm
W002-2.5A	2.5mm
W003-A	3.0mm



**Contact Head**

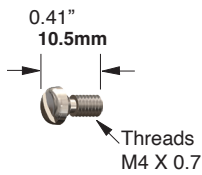
**Nozzle**

W001-1.0	1.0mm
W001	1.5mm
W002	2.0mm
W002-2.5	2.5mm
W003	3.0mm



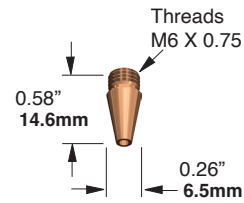
**Screw**

W104



**Nozzle**

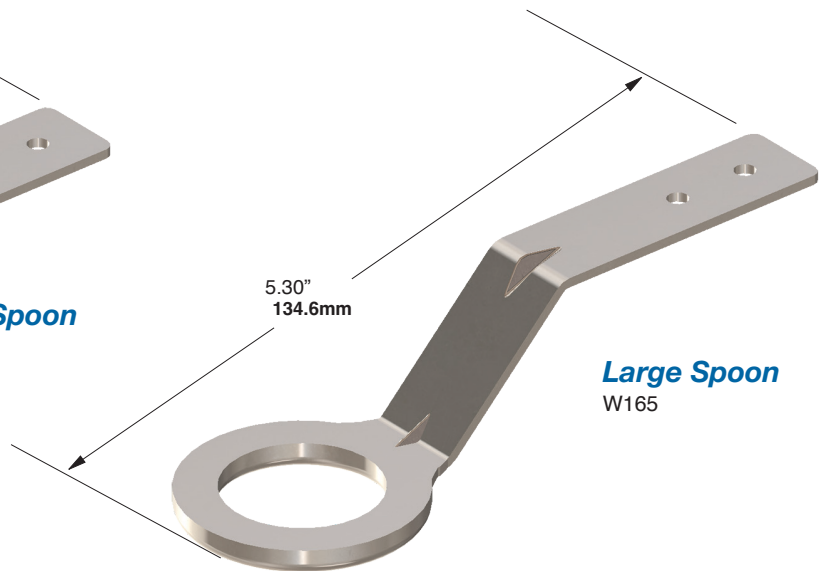
W400



LASER



**Small Spoon**  
W004



**Large Spoon**  
W165

OPTICS FOR MITSUBISHI® LASERS

Focusing Lenses

P/N	Lasertec P/N	Material	Diameter	Focal Length	Edge Thick-ness
W006	ZC15350118	ZnSe	1.5"	3.5"	.118"
W015	ZM20750380	ZnSe	2.0"	7.5"	.380"
W018	ZC15750315	ZnSe	1.5"	7.5"	.315"
W500	ZC15500310	ZnSe	1.5"	5.0"	.310"
W505	ZC20500310	ZnSe	2.0"	5.0"	.310"
W510	ZC20750310	ZnSe	2.0"	7.5"	.310"
W813		ZnSe	1.5"	15000 mm	Collimator

Protective Windows

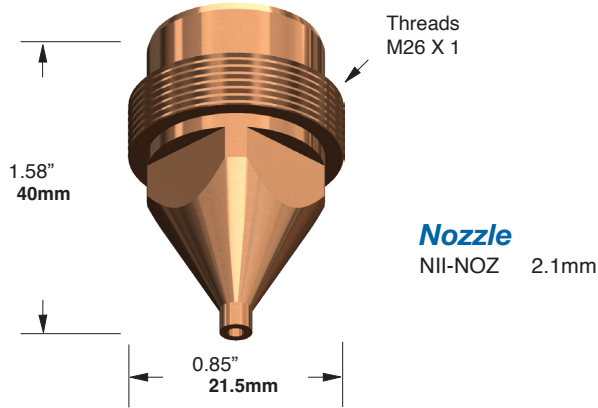
P/N	Material	Diameter	Edge Thickness
632336-117	FS	25.4mm	5mm
633744-137	FS	50mm	8mm





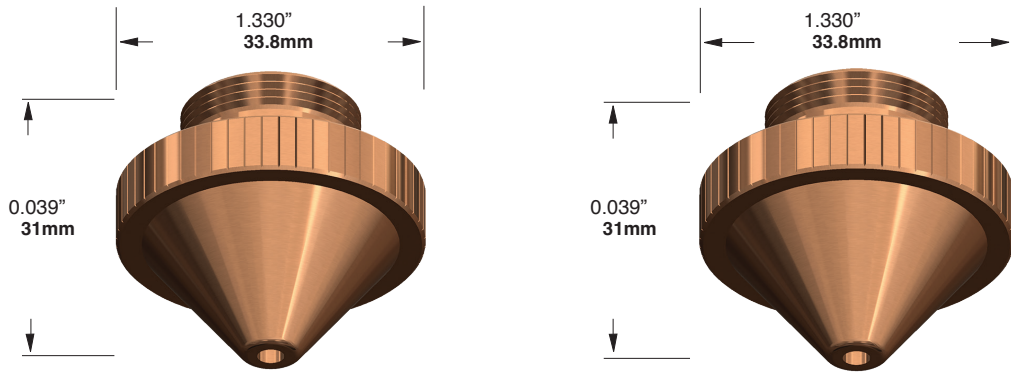
NIIGATA<sup>®</sup> / NTC<sup>®</sup> / BEYELER<sup>®</sup>

NIIGATA<sup>®</sup>



LASER

NTC<sup>®</sup> / BEYELER<sup>®</sup>



**Nozzle**

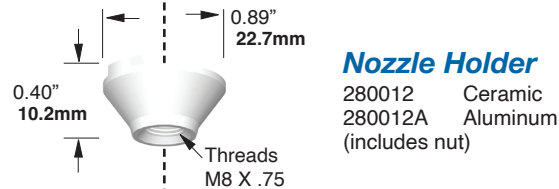
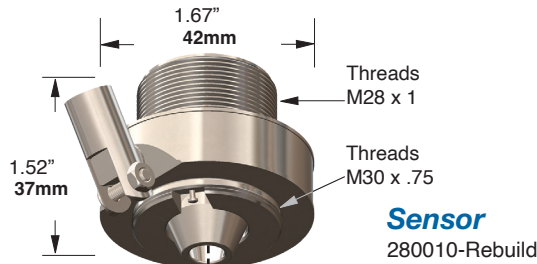
NTC - L10C	1.0mm
NTC - L12C	1.2mm
NTC - L15C	1.5mm
NTC - L20C	2.0mm
NTC - L30C	3.0mm
NTC - L40C	4.0mm

**Nozzle**

NTC - G15C	1.5mm
NTC - G20C	2.0mm
NTC - G30C	3.0mm
NTC - S15B	special

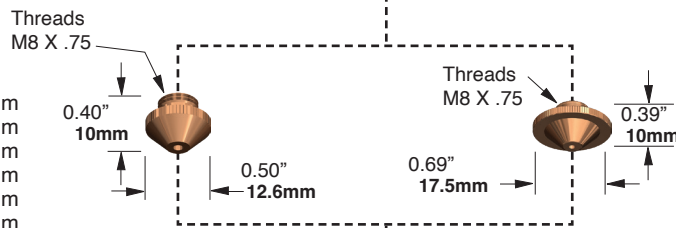


**SENSOR SYSTEM  
2.5"Z/J**



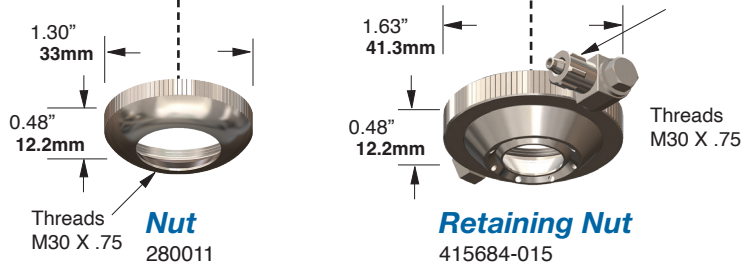
**Nozzle**

280013 / P0492-441-00008	0.8mm
280014 / P0492-442-00010	1.0mm
280015 / P0492-443-00012	1.2mm
280015-1.3	1.3mm
280016 / P0492-444-00015	1.5mm
280937 / P0492-445-00020	2.0mm
280937-2.5	2.5mm
280927	3.0mm

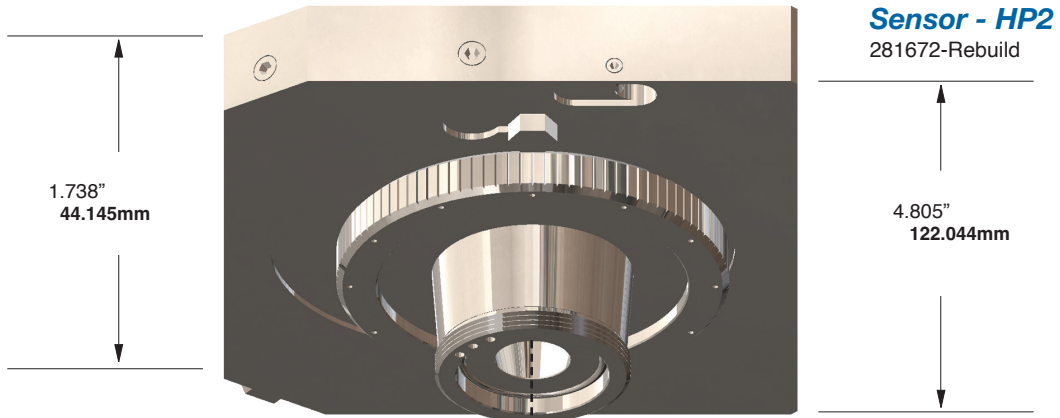


**Nozzle**

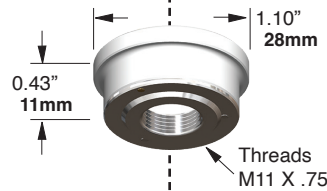
281024	1.5mm
281024-1.8	1.8mm



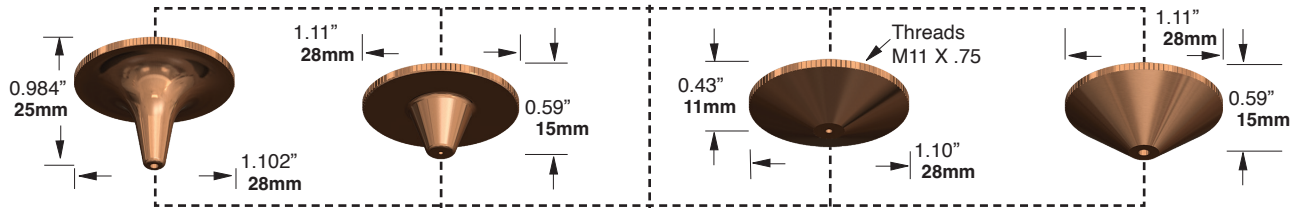
**LASER**



**Sensor - HP2**  
281672-Rebuild



**Nozzle Holder**  
**Ceramic KT B2**  
281330 / P0571-260-00001 CYL  
P0571-1051-00001 CON



**Nozzle Long w/Radius**

Part #	Size
P0578-0412-00012	1.2mm
P0578-0413-00015	1.5mm
P0578-0414-00018	1.8mm
P0572-0415-00020	2.0mm

**Nozzle DE HP**

Part # / Alternate Part #	Size
281590 / P0591-569-00008	0.8mm
281331 / P0591-561-00010	1.0mm
281351 / P0591-562-00012	1.2mm
281352 / P0591-563-00015	1.5mm
281353 / P0591-564-00018	1.8mm
281354 / P0591-565-00020	2.0mm
281591 / P0591-566-00025	2.5mm

**Nozzle**

281552	1.2mm
281553	1.5mm
281554	2.0mm

**Nozzle DE HP N**

Part # / Alternate Part #	Size
281548-0.8 / P0591-673-0008	0.8mm
281548 / P0591-571-00010	1.0mm
281549 / P0591-572-00012	1.2mm
281463 / P0591-573-00015	1.5mm
281463-1.8 / P0591-574-00018	1.8mm
281550 / P0591-575-00020	2.0mm
281551 / P0591-576-00025	2.5mm

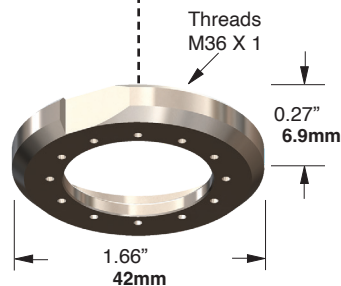
**Nozzle Double 3D**

Part #	Size
6930250001	0.8mm
6930250002	1.0mm
6930250003	1.2mm
6930250004	1.5mm

**Double Nozzle HP N**

Part #	Size
P0591-002-00012	1.2mm
P0591-002-00014	1.4mm
P0591-002-00015	1.5mm
P0591-002-00018	1.8mm
P0591-002-00020	2.0mm
P0591-002-00025	2.5mm

**Union Nut**  
281329

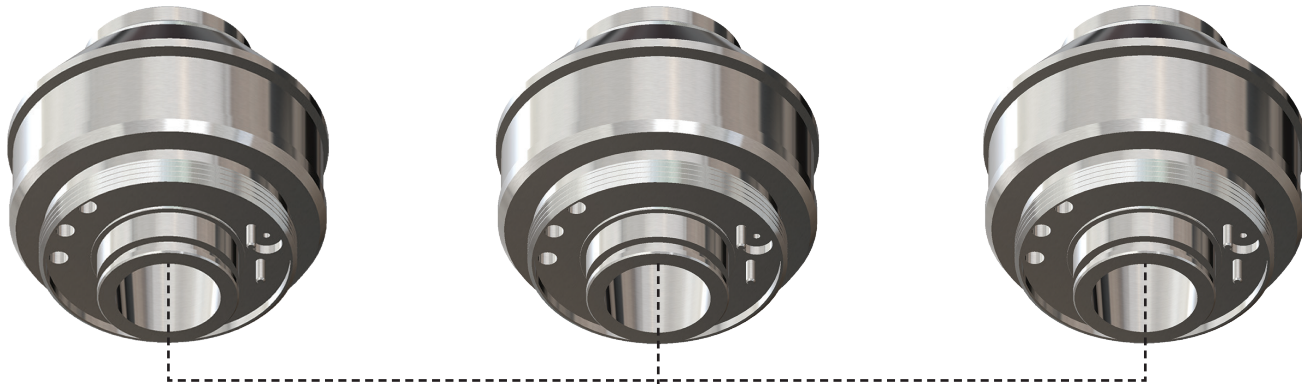


**SENSOR SYSTEM 5"DXN**

**5" DX  
Sensor Head**  
280033-Rebuild

**5" DXN  
Sensor Head**  
280948-Rebuild

**M1.5/DZ  
Sensor Head**  
281145-Rebuild /  
P0380-110-00002-Rebuild



**Nozzle Holder**  
280565  
280831 (5"DX)

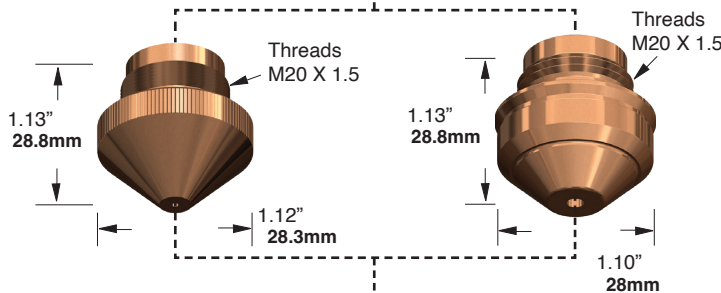


**Nozzle Holder**  
281146 / P0380-211-00001



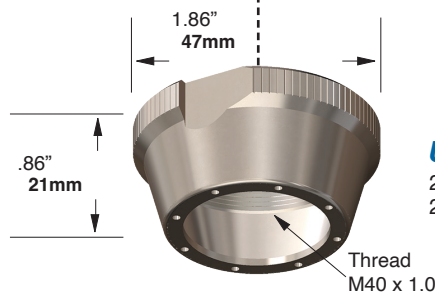
**Nozzle  
Non-Contact**

280029	1.0mm
280030	1.2mm
280028	1.5mm
281384	1.7mm
280027	2.0mm
280026	2.5mm
280025-3.0	3.0mm
280025-3.5	3.5mm
281029L lav	1.0mm
281029L-1.7 lav	1.7mm
281029L-1.8 lav	1.8mm



**Nozzle M1.5 DZ,DL,H**

281253 / P0380-251-00010	1.0mm
281254 / P0380-252-00012	1.2mm
281255 / P0380-253-00015	1.5mm
281270 / P0380-254-00020	2.0mm
281271 / P0380-255-00025	2.5mm
281271-3.0	3.0mm
281271-4.0	4.0mm

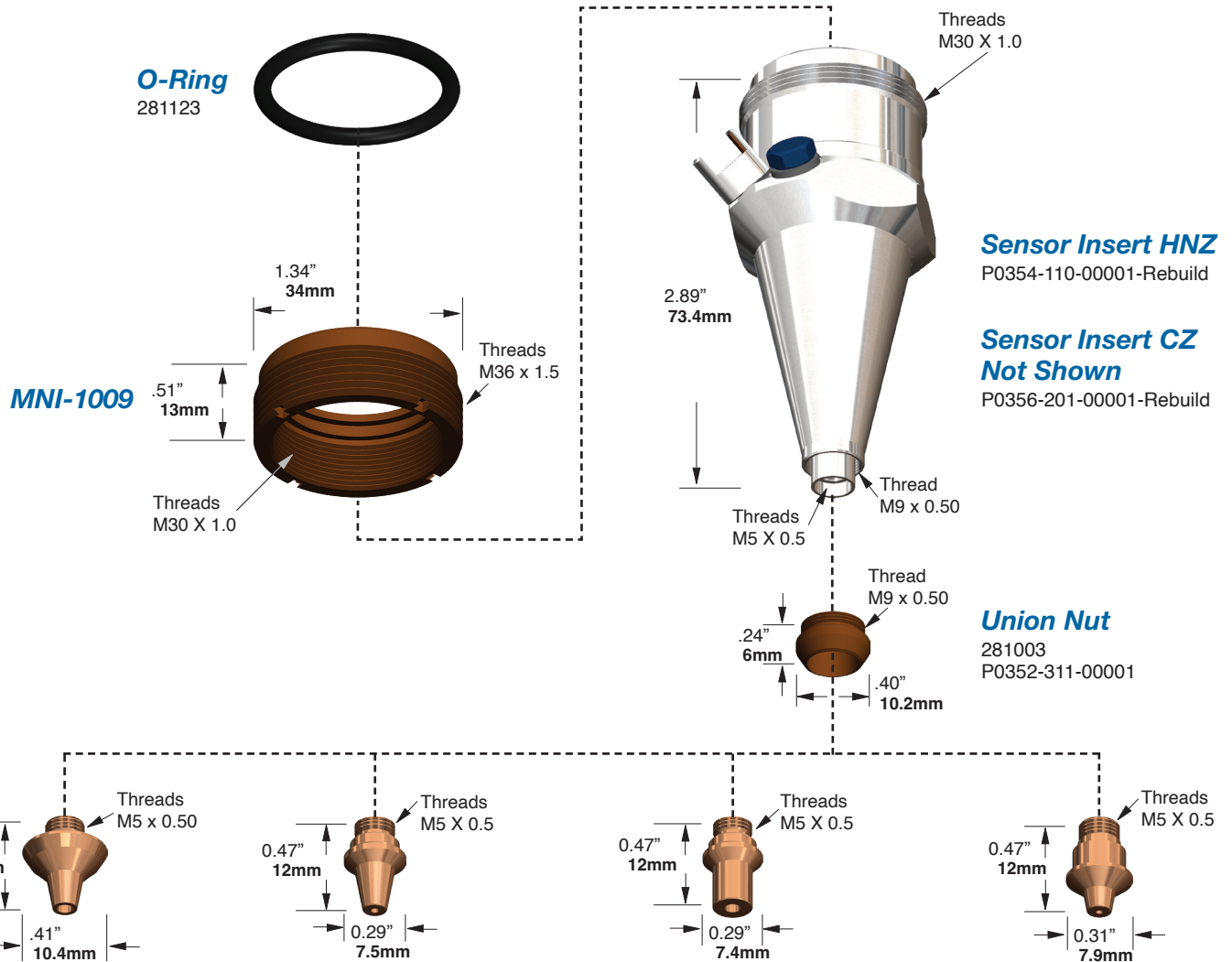


**UnionNut**  
280566  
280025 (5"DX)

**LASER**

M1.5 HNZ / CZ

LASER



**Nozzle Cu - 3D**

- P0352-381-00010 1.0mm
- P0352-382-00012 1.2mm
- P0352-383-00015 1.5mm
- P0352-384-00020 2.0mm
- P0352-385-00025 2.5mm
- P0352-388-00030 3.0mm

**Nozzle - M1.5\"C/H KK**

- 281006 / P0352-333-00010 1.0mm
- 281030 / P0352-334-00012 1.2mm
- 281031 / P0352-335-00015 1.5mm
- 280898 / P0352-336-00018 1.8mm
- P0352-336-0002 2.0mm

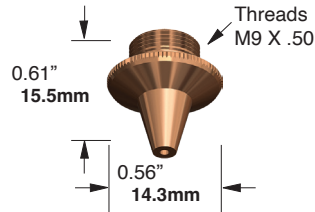
**Nozzle - M1.5\"C/H ZK**

- 281005 / P0352-323-00010 1.0mm
- 281034 / P0352-324-00012 1.2mm
- 281013 / P0352-325-00015 1.5mm
- 280899 / P0352-326-00018 1.8mm
- P0352-327-00020 2.0mm
- P0352-328-00025 2.5mm

**Nozzle - M1.5\"C/H ZL**

- 281010 / P0352-352-00008 0.8mm
- 281035 / P0352-354-00012 1.2mm
- 281036 / P0352-355-00015 1.5mm
- P0352-353-00018 1.8mm





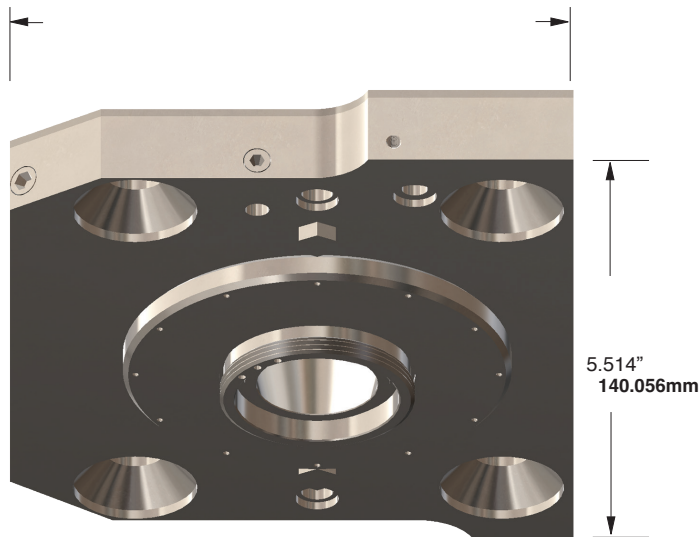
**Nozzle**

281813 / P0589-424-0008	0.8mm
281789 / P0589-426-00010	1.0mm
281561 / P0589-425-00012	1.2mm
281814 / P0589-427-00015	1.5mm
281814-2.0 / P089-426-00020	2.0mm

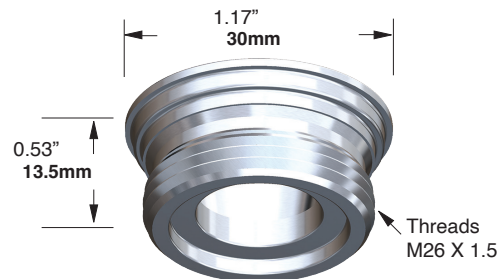
**Parts Available but Not Shown**

149884 / D5589-801-05000	Sensor Cable
149951	Cable MXC
562311	Cable BNC
563983	Cable BNC
P0589-400-00001-Rebuild	Sensor Insert MCX
778548-Rebuild	
P0589-800-00001-Rebuild	Sensor Insert BNC
562313-Rebuild	

**LASER**

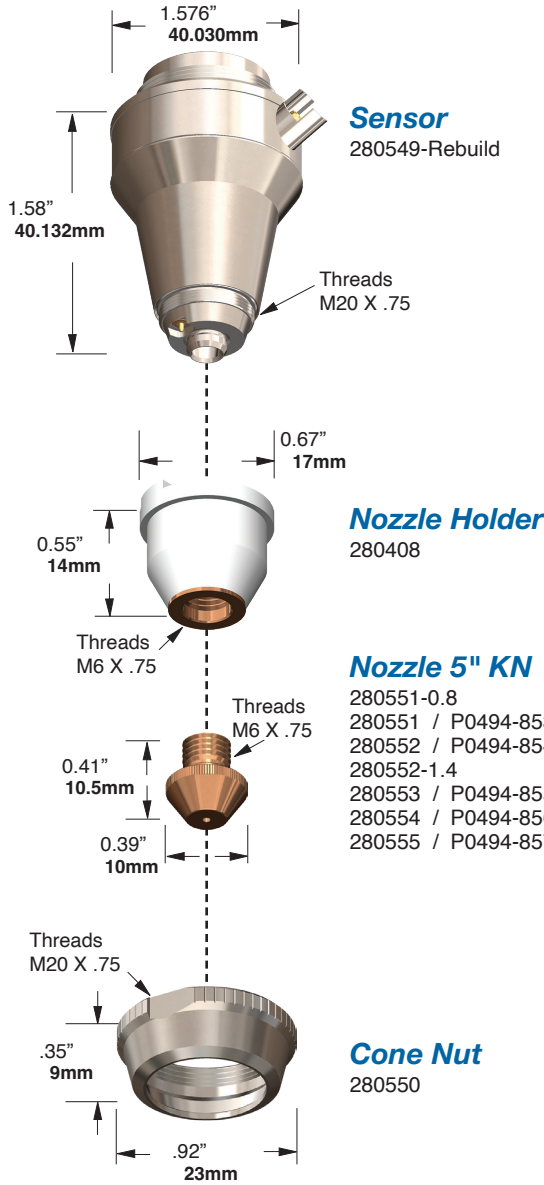


**Sensor - HP2MZ**  
P0594-820-00001-Rebuild

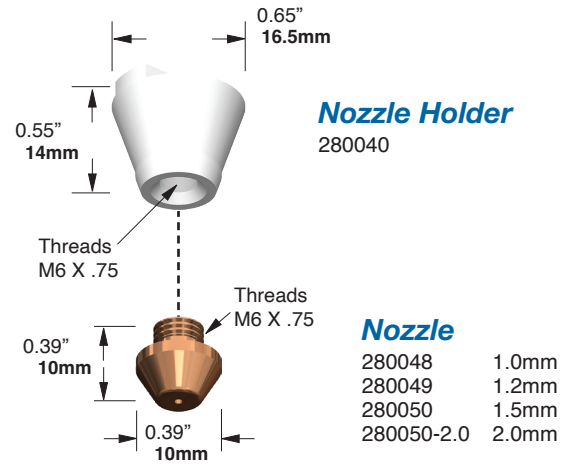


**Nozzle Holder**  
**Aluminum**  
P0594-860-00001

**SENSOR SYSTEM 5"KN**



**SENSOR SYSTEM 5"K**



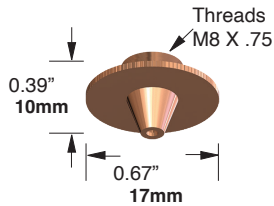
LASER

**Parts Available but Not Shown**

280042-Rebuild	Sensor
280041	Cone Nut



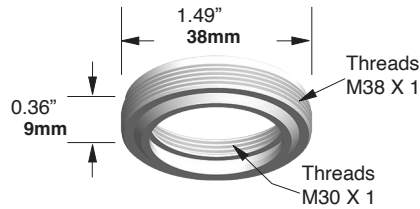
**SCL**



**Nozzle**

- 281298 / P0492-482-00012 1.2mm
- 281009 / P0492-483-00015 1.5mm
- 281293 / P0492-484-00020 2.0mm

**KN, DZ, DXN, DX**



**Insulator**

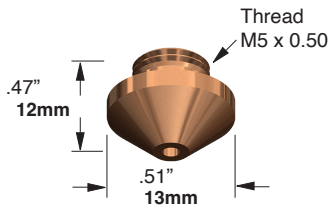
280064

**YK52**



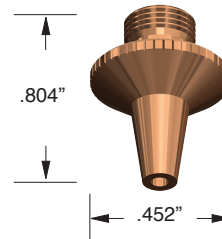
**Nozzle**

- 281243 1.0mm
- 281242 1.5mm



**Tip, Cu - 2D**

- P0352-386-00015 1.8mm
- P0352-387-00020 2.0mm
- P0352-392-00030 3.0mm



**Nozzle**

- P0787-483-00015-1.2 1.2mm
- P0787-483-00015 1.5mm
- P0787-483-00015-1.75 1.75mm
- P0787-483-00015-2.0 2.0mm

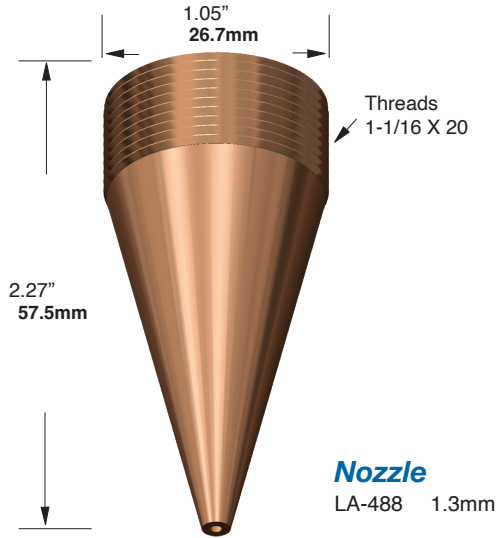
**LASER**

**OPTICS FOR PRECITEC® LASERS**

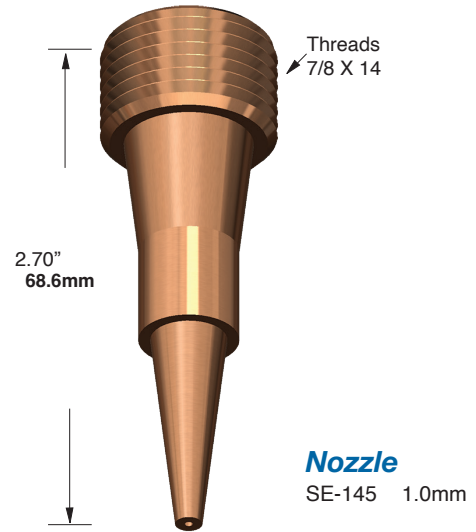
**Protective Windows**

P/N	Material	Diameter	Edge Thickness
284.0402	FS	50mm	3.18mm
P0595-58601	FS	37mm	7mm

**RAYTHEON®**

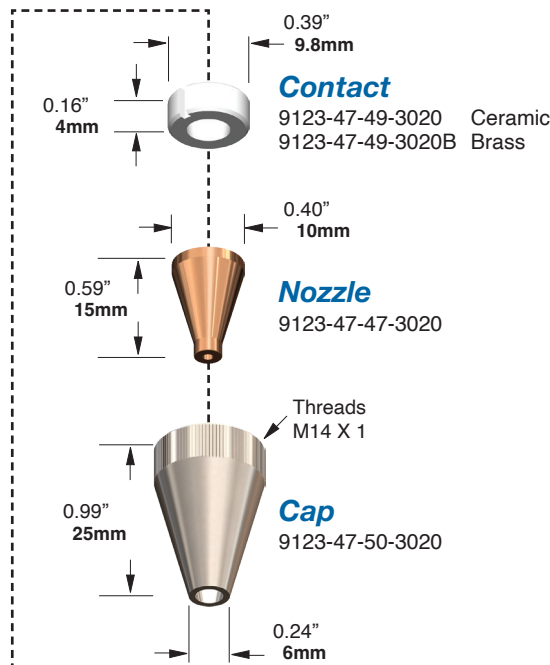
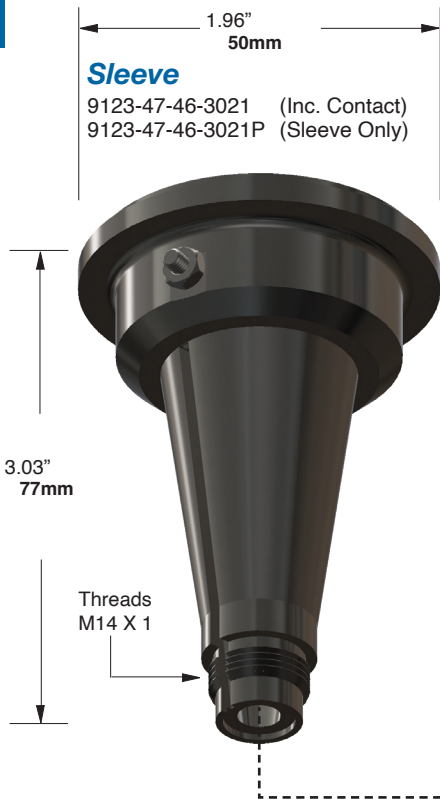


**ROFIN SINAR®**

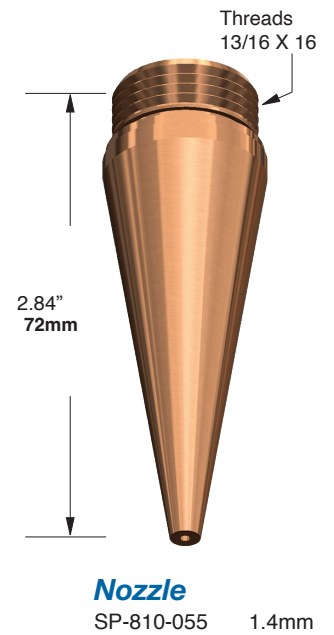


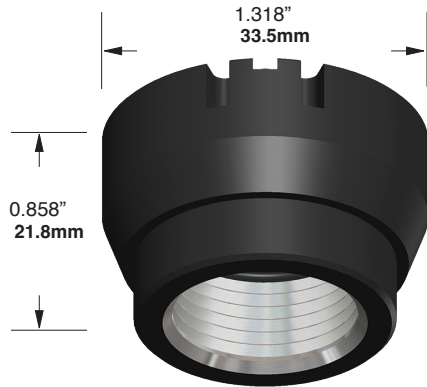
LASER

**SHIBUYA®**

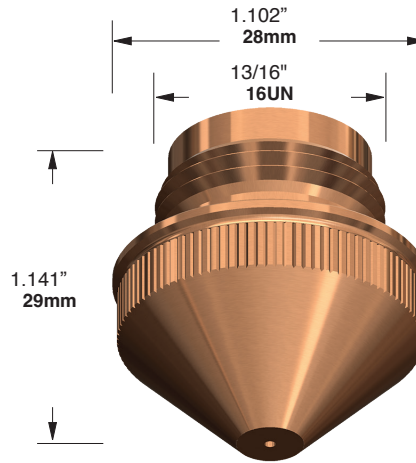


**SPECTRA PHYSICS®**





**PT Nozzle Holder ITM**  
P0380-211-00001 1.5" DZ



**SA Nozzle**

146331A4	1.0mm
146330A4	1.25mm
146329A4	1.5mm
146328A4	1.75mm
146327A4	2.0mm
146326A4	2.25mm
146325A4	2.5mm
146324A4	2.75mm
146323A4	3.0mm

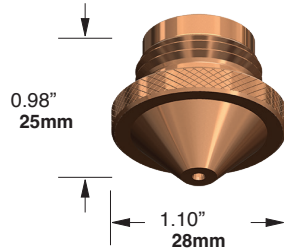
**LASER**

**OPTICS FOR SALVAGNINI® LASERS**

**Protective Windows**

P/N	Material	Diameter	Edge Thickness
632755-117	FS	32mm	6.35mm

PHD™, PHDX™, Lightning®, Waltec™, Integra™, Lasertec® Laser Division of American Torch Tip®, Multi-Use™ and ProMix™ are trademarks owned by American Torch Tip Company. American Torch Tip Company is in no way affiliated with the above-named original equipment manufacturer(s). References to the above-named machines, torches, and numbers are for your reference only. Most parts advertised for sale are made by or for American Torch Tip, and other parts as indicated, are original parts manufactured by above-named, original equipment manufacturer (OEM) and are simply being re-sold by American Torch Tip. Footnotes: \* = OEM; # = American Torch Tip is licensed to make and sell this part by named manufacturer; ATTC and ATT suffix = This part is an original American Torch Tip design and is not manufactured identical to the OEM design; ® indicates a registered trademark, trade name, or product name of the above-named company. © Copyright 2023, American Torch Tip Company



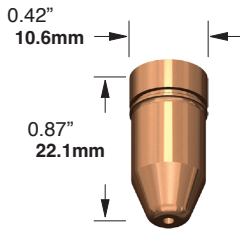
**Nozzle Standard**

7945470	1.0mm
5241982	1.2mm
7945434	1.5mm
7945452	2.0mm
7945517	2.5mm

**Nozzle High Pressure**

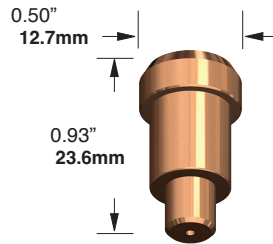
5241862	1.5mm
5241863	1.0mm
5241855	2.0mm
5241856	2.5mm
5241857	3.0mm
5241877	3.5mm
5241878	4.0mm

**LASER**



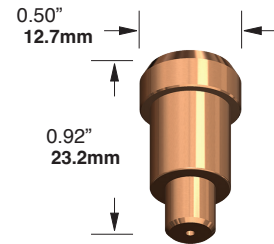
**Nozzle**

1001019-000	1.0mm
1001020-000	2.0mm



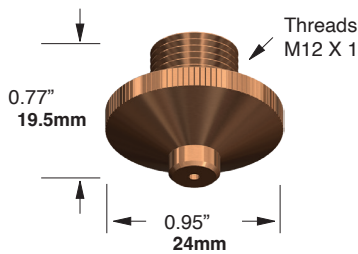
**Nozzle**

123409-100	2.0mm H.P.
------------	------------



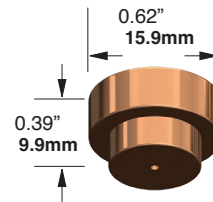
**Nozzle**

123409-000	1.2mm L.P.
------------	------------



**Nozzle**

1001233-150	1.5mm
1001233-200	2.0mm
1001233-250	2.5mm
1001233-300	3.0mm
1001233-350	3.5mm



**Nozzle**

106054-000	1.0mm L.P.
106054-000-1.5	1.5mm L.P.
106054-000-2.0	2.0mm L.P.
106054-100	2.0mm L.P.

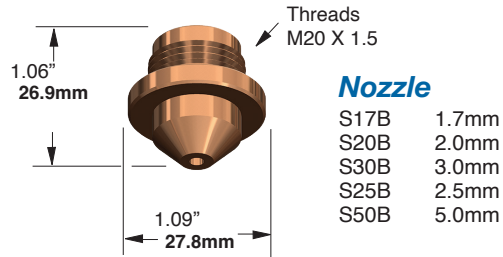
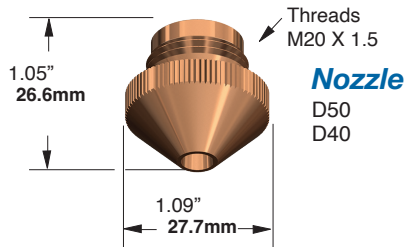
OPTICS FOR STRIPPIT® / LVD® LASERS

Focusing Lens

P/N	Lasertec P/N	Material	Diameter	Focal Length	Edge Thickness
0018827-000	ZM15500291	ZnSe	1.5"	5.0"	.291"
0018827-100	ZC15500236	ZnSe	1.5"	5.0"	.236"
0800952-000	ZC15350118	ZnSe	1.5"	3.5"	.118"
1000746-100	ZC15750300	ZnSe	1.5"	7.5"	.300"
1001151-000	ZM15500350	ZnSe	1.5"	5.0"	.350"
1001152-000	ZM15750350	ZnSe	1.5"	7.5"	.350"
29100023	ZM15500291	ZnSe	1.5"	5.0"	.291"
29100030	ZM15750291	ZnSe	1.5"	7.5"	.291"
29100055	ZM20750380	ZnSe	2.0"	7.5"	.380"
29100061	ZM20100380	ZnSe	2.0"	10.0"	.380"
29100062	ZM20125380	ZnSe	2.0"	12.5"	.380"
29100115	ZM18500354	ZnSe	1.8"	5.0"	.354"
29100116	ZM18750354	ZnSe	1.8"	5.0"	.354"

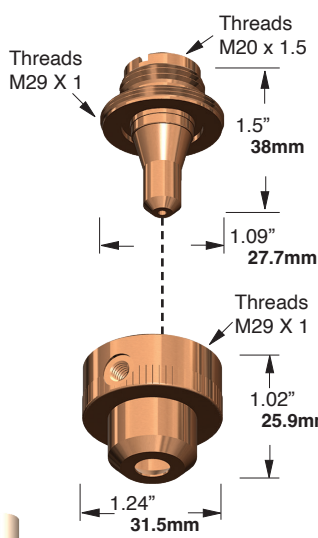






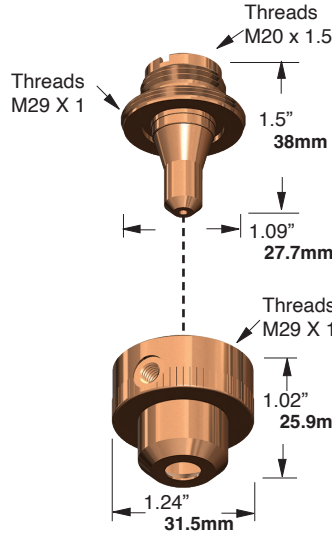
**Nozzle, Inner**

C20D-2  
C20E-2-1.5  
C20E-2 2.0mm



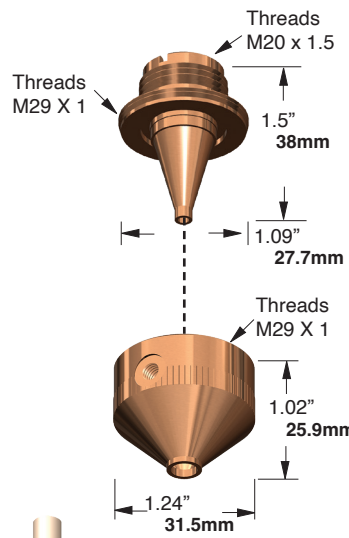
**Nozzle, Inner**

C22D-2



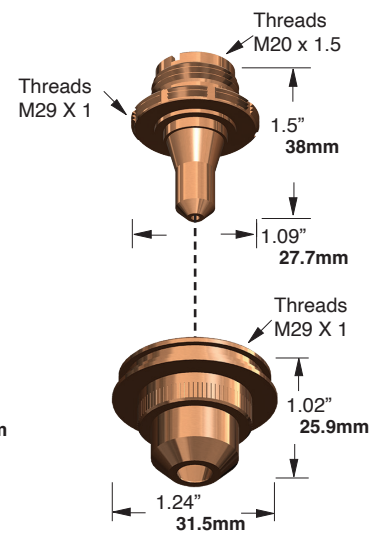
**Nozzle, Inner**

C25C-2



**Nozzle, Inner**

C30D-1  
C30E-1



**Nozzle, Outer**

C20D-1  
C20E-1

**Nozzle, Outer**

C22D-1

**Nozzle, Outer**

C25C-1

**Nozzle, Outer**

C30D-2  
C30E-2

**Nozzle Assy.**

C20D

**Nozzle Assy.**

C20E

**Nozzle Assy.**

C22D

**Nozzle Assy.**

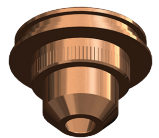
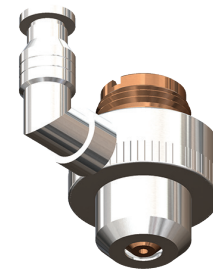
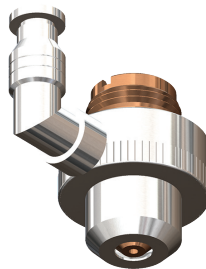
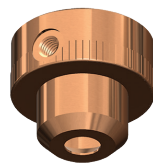
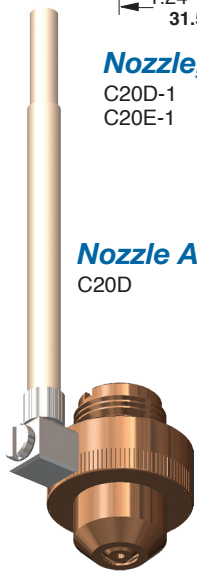
C25C

**Nozzle Assy.**

C30D

**Nozzle Assy.**

C30E

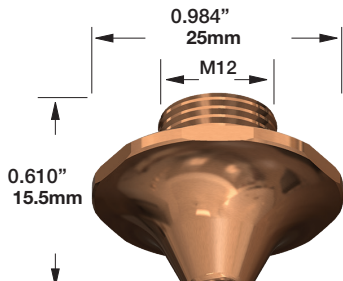
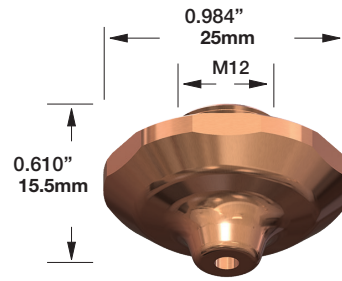
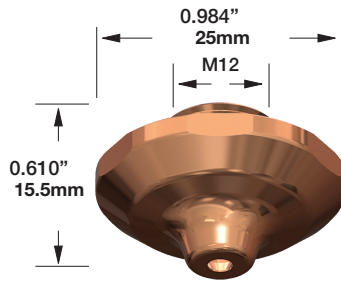
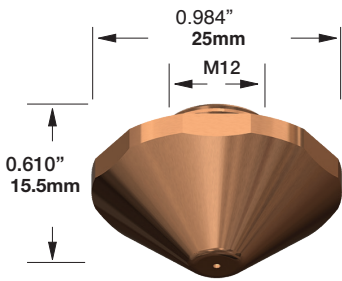


LASER





**Nozzle Holder, ceramic**  
1755673



**LASER**

**Nozzle EAA**

- 1324858 0.8mm
- 1324860 1.0mm
- 1324861 1.2mm
- 1324863 1.4mm
- 1324864 1.7mm
- 1324865 2.0mm
- 1324866 2.3mm
- 1324867 2.7mm

**Nozzle Double EAU**

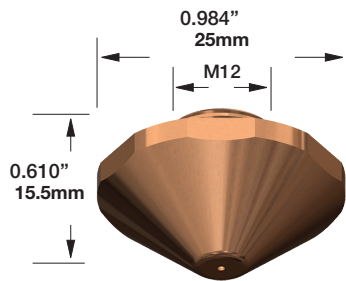
- 2059462 2.5mm
- 2060001 3.0mm
- 2060004 4.0mm
- 2060025 6.0mm
- 2253595 10.0mm

**Nozzle Double EAK**

- 1579549 2.5mm
- 1579556 3.0mm
- 1835747 4.0mm

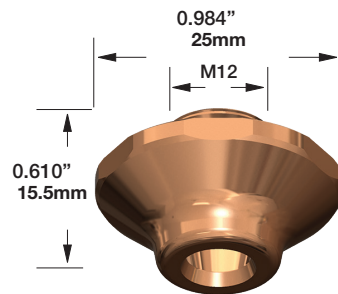
**Nozzle EAB**

- 1373324 0.8mm
- 1373325 1.0mm
- 1373326 1.2mm
- 1373327 1.4mm
- 1373328 1.7mm
- 1373329 2.0mm
- 1373330 2.3mm
- 1373331 2.7mm



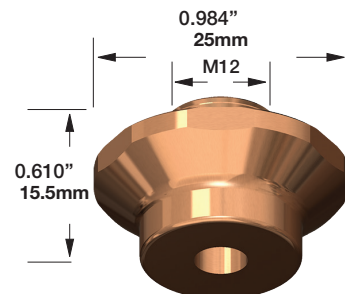
**Nozzle Focusing ZAA-01**

1637264



**Nozzle Double EAQ**

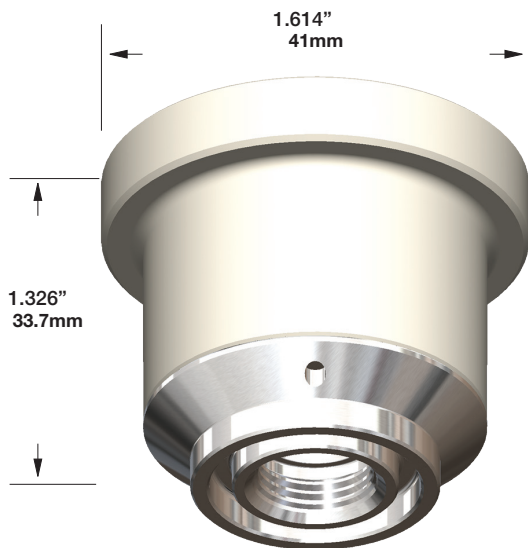
- 1809091 6.0mm
- 1809421 7.5mm
- 1886199 9.5mm



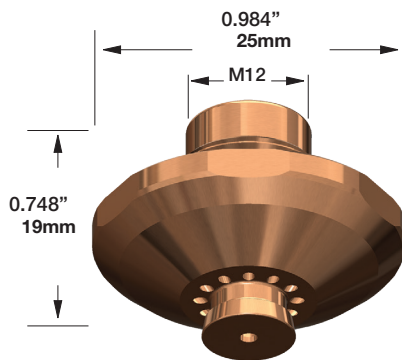
**Nozzle EAC**

1633046 5.3mm

LASER

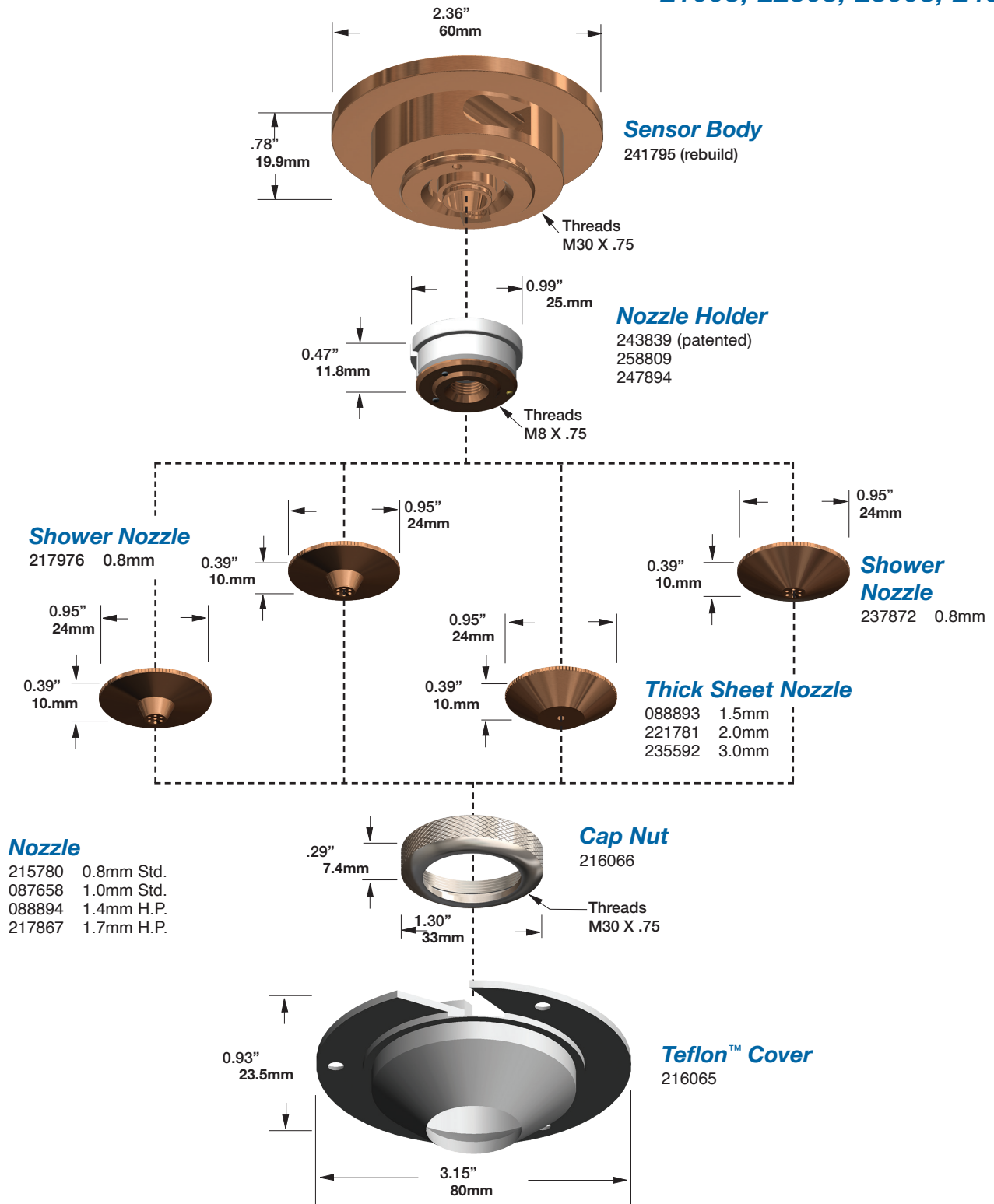


**Nozzle Holder, ceramic**  
1906032



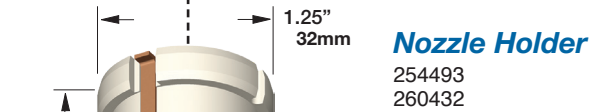
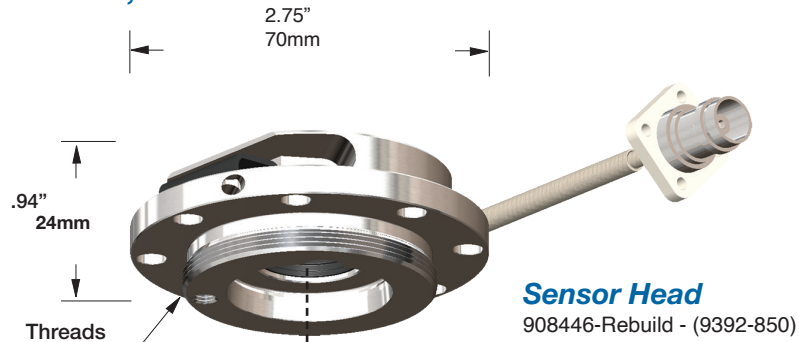
**Nozzle EGL**  
1879940 1.4mm  
1879951 1.7mm  
1879952 2.0mm  
1879953 2.3mm

**2.5S/TT**  
**L1003, L2503, L3003, L4003**



**LASER**

**TRUMATIC L2530, L3030,  
L4030, L6030, L2503E, L3003E,  
L4003E, TC 600L**

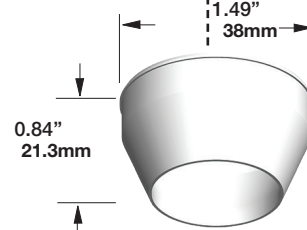
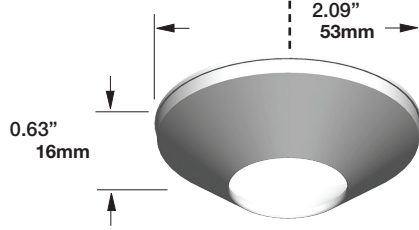
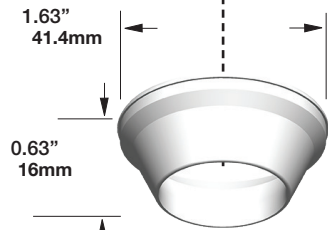
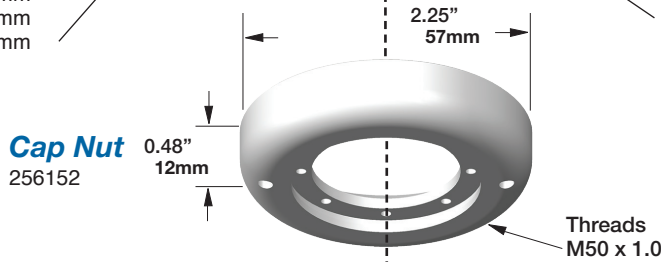
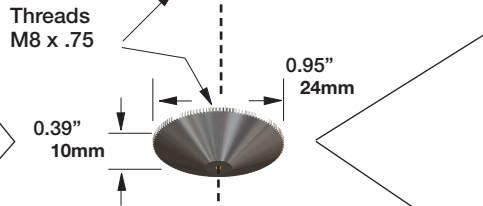


**Nozzle**

124561	0.8mm
124562	1.0mm
124562-1.1	1.1mm
237498-1.2	1.2mm
124562-1.5	1.5mm
124564	2.3mm
126933	2.3mm
237504	3.0mm
237501	1.7mm
237503	2.0mm
942742	2.7mm
237497	1.4mm
237500	1.5mm

**Nozzle, Chrome**

352280	0.8mm
352281	1.0mm
352282	1.2mm
352282-1.5	1.5mm
352285	2.3mm
352284	1.7mm
352287	2.0mm
352286	2.7mm
352283	1.4mm

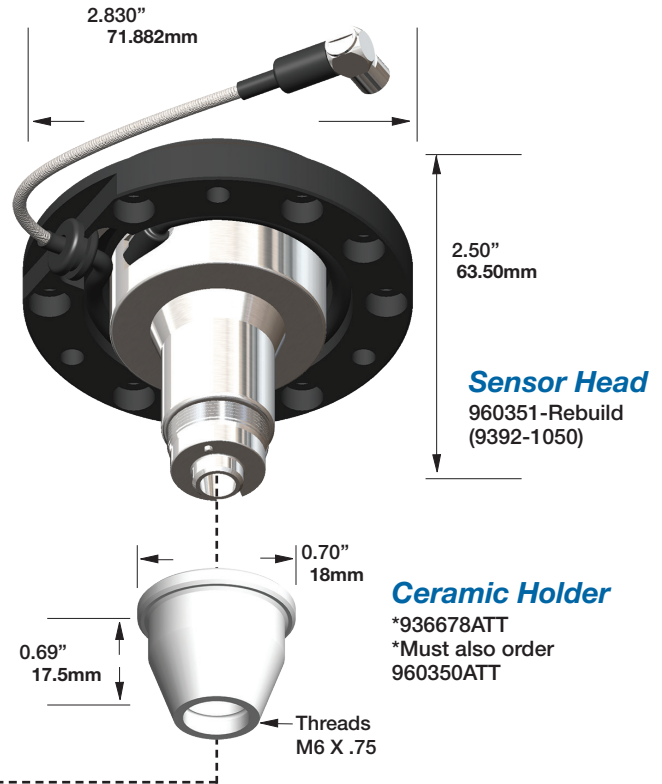
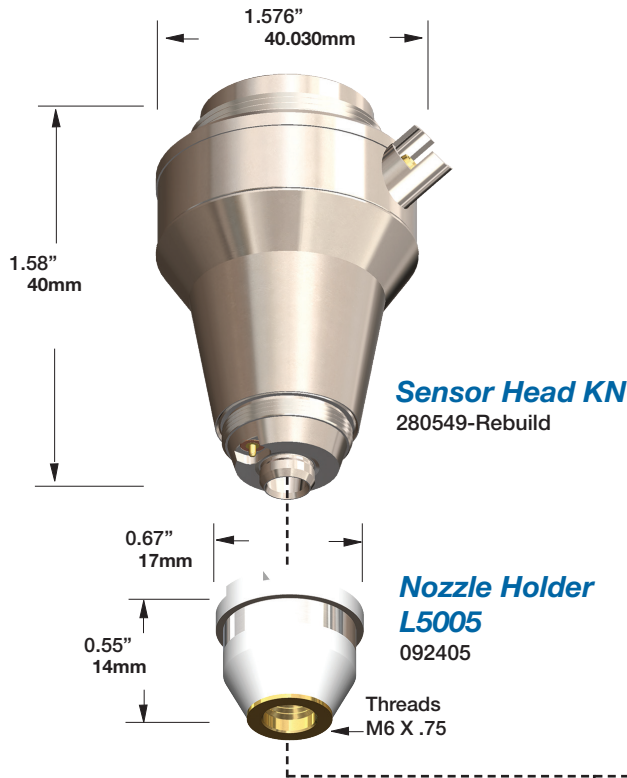


LASER

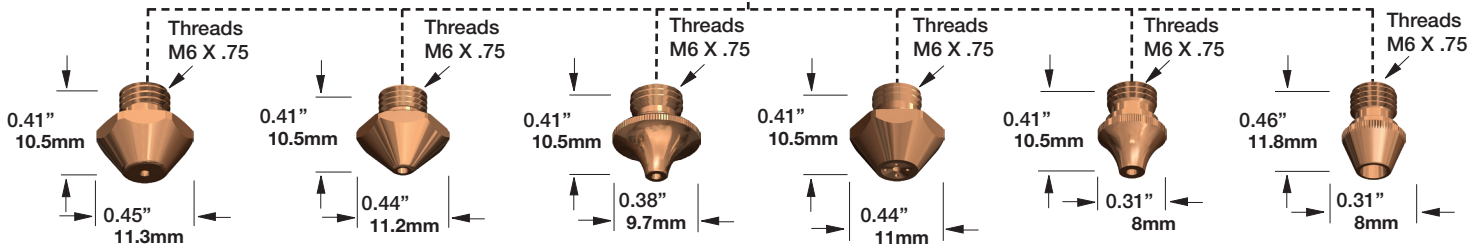
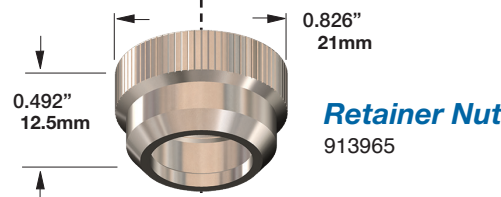
**KN / TUBEMATIC**

**KN**

**Tubematic**



**Not Shown**  
280550 Cone Nut  
960350ATT Cap Nut (for 936678-Att)  
233758 2-pc Retaining Ring



**Nozzle L5005**

135423	0.8mm H.P.
212334	1.0mm H.P.
216199	1.4mm H.P.
225213	1.7mm H.P.
126156	2.3mm H.P.

**Nozzle L5005**

226939	1.0mm Std.
226940	1.4mm Std.
227144	1.7mm
277177-2.0	2.0mm

**Nozzle**

135320	1.0mm Std.
135318	1.4mm H.P.
126157	1.75mm H.P.

**Shower Nozzle**

955043

**Nozzle**

913799	0.8mm
913800	1.0mm
913801	1.4mm
937988	1.7mm
937989	2.3mm

**Nozzle**

224106	1.6mm
224107	1.8mm
224109	2.0mm
2085524	2.6mm

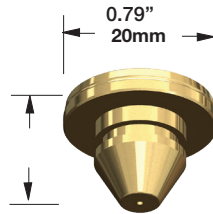
**LASER**



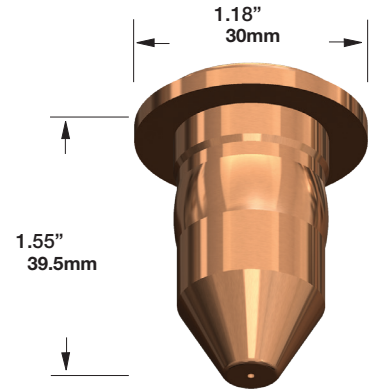
**TC 240, TC 260, TC 300  
TRU LASER 3030, 5030, 5040, 5060**

**Punch Press Nozzle  
For TC 240, TC 260**

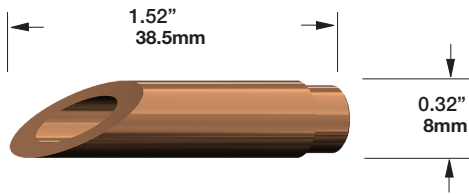
202952	0.8mm Std.
218969	1.0mm Std.
209402	1.4mm H.P.
211533	1.7mm H.P.
217953	1.7mm H.P.



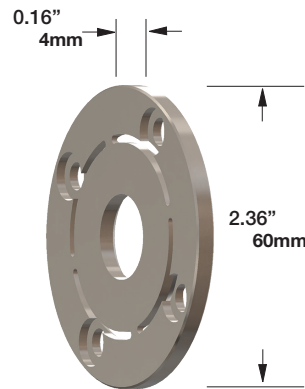
**Nozzle For TC 300**  
060653-3 1.0mm



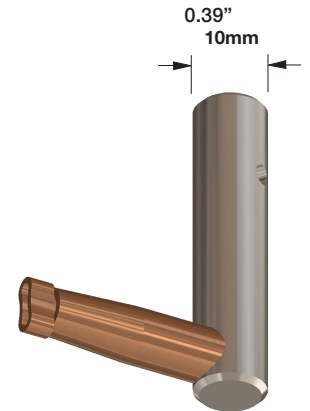
**Blow Tube for TC Series**  
256184



**Cover Plate for TC Series**  
234485



**Blow Pipe for TC Series**  
088557



LASER

**Parts Available but Not Shown**

149884/D5589-801-05000	Sensor Cable
149951	Cable MXC
562311	Cable BNC
563983	Cable BNC
778560	Focus Lens Set
P0589-400-00001-Rebuild / 778548-Rebuild	Sensor Inert MCX
P0589-800-00001-Rebuild / 562313-Rebuild	Sensor Insert BNC



**OPTICS FOR TRUMPF® LASERS**

**Focusing Lenses**

P/N	Lasertec P/N	Material	Diameter	Focal Length	Edge Thickness
058398	ZM15500100	ZnSe	1.5"	5.0"	.100"
088114	ZM15500291	ZnSe	1.5"	5.0"	.291"
095273	ZM15750100	ZnSe	1.5"	7.5"	.100"
097517	ZM15750291	ZnSe	1.5"	7.5"	.291"

**Protective Windows**

P/N	Material	Diameter	Edge Thickness
1254813	FS	134mm	3mm
1614767	FS	34mm	5mm
766719	FS	30mm	5mm
777936-FS	FS	22.35mm	4mm



PLANO CONVEX

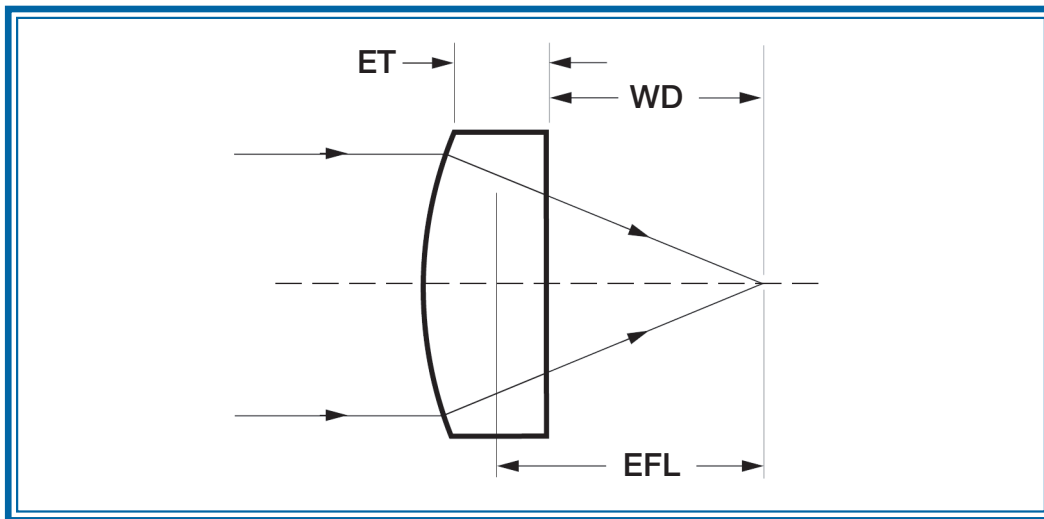
PLANO CONVEX FOCUSING LENSES

Plano convex lenses are a popular choice in high power CO<sub>2</sub> systems. When spot size and spherical aberration are not critical, these lenses are lower in cost than meniscus lenses, yet they still have the advantages of precise focusing and low absorption.

Standard Specifications:

<b>Dimensional Tolerances</b>		<b>Surface Quality</b>	
Diameter:	+0.000"/-0.005"	Scratch-Dig:	40-20
Thickness:	±.010"	*AR coating per surface:	<.2%
Edge Thickness Variation:	≤.002"	Clear Aperture:	90% of diameter
Focal Length:	±1%	Absorption:	<.2%

LASER



\*Note: Lasertec offers a variety of focusing lenses. Please call for more information.

**MENISCUS FOCUSING LENSES**

Positive meniscus lenses have two curved surfaces designed to minimize spherical aberration and achieve the smallest focal spot size. This smaller spot size gives a higher power density at the workpiece. Like the plano-convex lenses, only high quality zinc selenide is used to maintain low absorption and extend the life of Lasertec lenses.

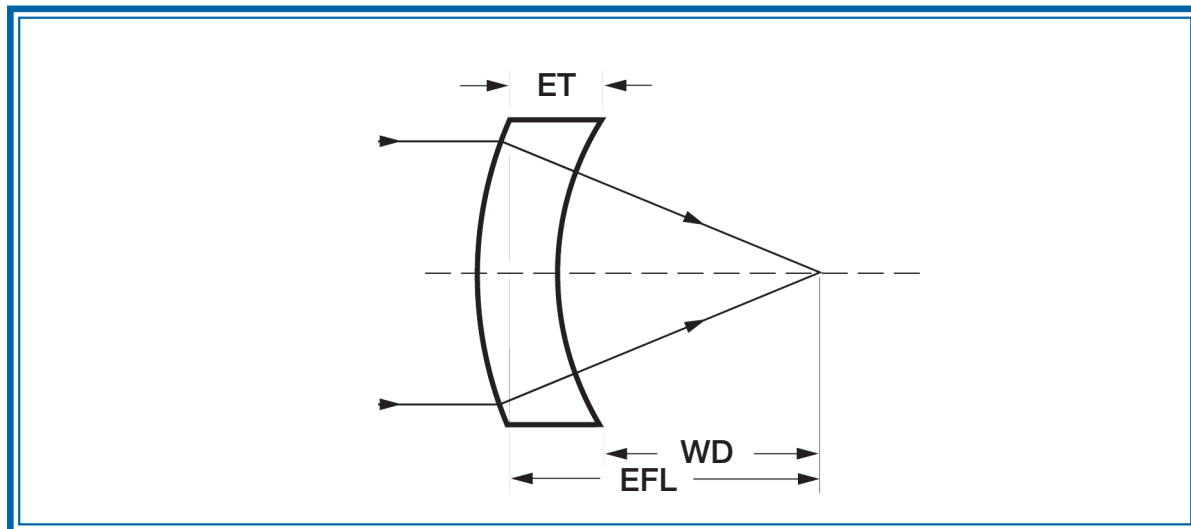
**Standard Specifications:**

**Dimensional Tolerances**

Diameter:	+0.000"/-.005"
Thickness:	±.010"
Edge Thickness Variation:	≤.002"
Focal Length:	±1%

**Surface Quality**

Scratch-Dig:	40-20
* AR coating per surface:	≤.2%
Clear Aperture:	90% of diameter
Absorption:	≤.2%



\*Note: Lasertec offers a variety of focusing lenses. Please call for more information.

**LASER**

# Laser Index

## Symbols

LASER

00-2293.....	29	03-8358.....	29	834-319-004.....	31	280030.....	51
01-2293.....	29	03-8720.....	29	834-319-009.....	31	280040.....	54, 57
2.5S/TT.....	63	03-8729.....	29	834-319-010.....	31	280041.....	54
2.5"Z/J.....	45	3-14317.....	14	834-319-011.....	31	280042.....	54
02-2293.....	29	3-14318.....	14	834-319-012.....	31	280048.....	54
02-2293-2.5.....	29	3-14319.....	14	3030.....	66	280049.....	54
02-2293-3.0.....	29	3-16058-1.0.....	14	5030.....	66	280050.....	54
2-08700.....	14	3-16059.....	14	5040.....	66	280050-2.0.....	54
2-08701.....	14	3-16060.....	14	5060.....	66	280408.....	54
03-210T.....	29	3-16061.....	14	9123-47-46-3021.....	56	280549.....	54
03-214T.....	29	4-00184.....	18	9123-47-46-3021P.....	56	280550.....	54
03-215T.....	29	4-00185.....	18	9123-47-47-3020.....	56	280551.....	54
03-217T.....	29	4-00186.....	18	9123-47-49-3020.....	56	280552.....	54
03-224T.....	29	4-00187.....	18	9123-47-49-3020B.....	56	280552-1.4.....	54
03-230T.....	29	4-01642.....	14	9123-47-50-3020.....	56	280553.....	54
03-0335.....	29	4-01959.....	14	0018827-000.....	59	280553-1.7.....	54
03-0916.....	29	4-05094.....	18	0018827-100.....	59	280553-2.0.....	54
3-01658.....	14	4-05095.....	18	058398.....	67	280565.....	51
3-01905.....	14	4-09010.....	14	060653-3.....	66	280566.....	51
3-01906.....	14	5-05192/3-14319.....	14	088114.....	67	280948.....	51
3-01907.....	14	160-1.....	29	095273.....	67	281029L.....	51
3-01908.....	14	160-2.....	29	097517.....	67	281029L-1.7.....	51
3-01909.....	14	160-3.....	29	106054-000-2.0.....	58	281029L-1.8.....	51
3-01910.....	14	216-10606.....	25	135423.....	65	281123.....	52
3-01911.....	14	284.0402.....	55	146323A4.....	57	281146/P0380-211-00001.....	
3-01912.....	14	485.73.421.....	30	146324A4.....	57	281253/P0380-251-00010.....	
3-01913.....	14	485.73.422.....	30	146325A4.....	57	281254/P0380-252-00012.....	
3-01914.....	14	485.73.423.....	30	146326A4.....	57	281255/P0380-253-00015.....	
3-01915.....	14	485.73.424.....	30	146327A4.....	57	281270/P0380-254-00020.....	
3-02291.....	14	0591-573-00015.....	27	146328A4.....	57	281271-3.0.....	51
03-2293.....	29	601-614-001.....	33	146329A4.....	57	281271-4.0.....	51
03-2293-1.8.....	29	601-614-002.....	33	146330A4.....	57	281271/P0380-255-00025.....	
3-04273.....	14	601-614-003.....	33	146331A4.....	57	281463-1.8.....	50
3-04273-S.....	14	601-614-005.....	33	149884/D5589-801-05000.....		281548.....	50
3-04274.....	14	601-859-002.....	33	149951.....	66	281548-0.8.....	50
3-04277.....	14	603-172-001.....	33	224106.....	65	281552.....	50
3-05497.....	14	603-175-002.....	33	224107.....	65	281553.....	50
3-06035-C.....	14	603-271-001.....	34	224109.....	65	281554.....	50
3-06112.....	14	603-271-001-2.8.....	34	224109.....	65	281590.....	50
3-06112-3.5.....	14	603-271-002.....	34	233758.....	65	281789 P0589-426-00010.....	
		603-271-002-1.5S.....	34	277177-2.0.....	65	280025.....	51
		603-271-002-2.0.....	34	280025.....	51	280025-3.0.....	51
		603-271-003.....	34	280025-3.0.....	51	280025-3.5.....	51
		603-472-002.....	33	280026.....	51	280026.....	51
		603-939-001.....	33	280027.....	51	280027.....	51
		605-213-001.....	33	280028.....	51	280028.....	51
		605-213-001-1.75.....	33	280028-1.7.....	51	280028-1.7.....	51
		834-319-002.....	31	280029.....	51	280029.....	51
		834-319-003.....	31			352282-1.5.....	64

PHD™, PHDX™, Lightning®, Waltec™, Integra™, Lasertec® Laser Division of American Torch Tip®, Multi-Use™ and ProMix™ are trademarks owned by American Torch Tip Company. American Torch Tip Company is in no way affiliated with the above-named original equipment manufacturer(s). References to the above-named machines, torches, and numbers are for your reference only. Most parts advertised for sale are made by or for American Torch Tip, and other parts as indicated, are original parts manufactured by above-named, original equipment manufacturer (OEM) and are simply being re-sold by American Torch Tip. Footnotes: \* = OEM; # = American Torch Tip is licensed to make and sell this part by named manufacturer; ATTC and ATT suffix = This part is an original American Torch Tip design and is not manufactured identical to the OEM design; ® indicates a registered trademark, trade name, or product name of the above-named company. © Copyright 2023, American Torch Tip Company

352286.....	64	1000746-100.....	59	1572361-3.0.....	3	243839.....	63
352287.....	64	1001019-000.....	58	1572362.....	3	247894.....	63
455014.....	13	1001020-000.....	58	1572362-1.4.....	3	254493.....	64
455024.....	13	1001151-000.....	59	1579549.....	61	254496.....	64
455034.....	13	1001152-000.....	59	1579556.....	61	256152.....	64
455044.....	13	1001233-150.....	58	1614767.....	67	256153.....	64
455054.....	13	1001233-200.....	58	1633046.....	61	256184.....	66
562311.....	66	1001233-250.....	58	1637264.....	61	258809.....	63
562313.....	53	1001233-300.....	58	1664545U.....	5	26-71270-60.....	23
563983.....	66	1001233-350.....	58	1664545U-1.0R.....	5	260432.....	64
567011.....	9	106054-000.....	58	1664545U-1.2.....	5	280010.....	49
567011-rebuild.....	9	106054-000-1.5.....	58	1664545U-1.5.....	5	280011.....	45, 49
632336-117.....	47	106054-100.....	58	1664545U-1.5R.....	5	280012.....	49
632755-117.....	57	123409-000.....	58	1664546U.....	5	280012A.....	49
633744-137.....	47	123409-100.....	58	2-10837.....	17	280013.....	49
766719.....	67	124561.....	64	202952.....	66	280014.....	49
777936-FS.....	67	124562.....	64	209402.....	66	280015.....	49
778548.....	53	124562-1.5.....	64	211533.....	66	280015-1.3.....	49
778560.....	66	124564.....	64	212334.....	65	280016.....	49
0800952-000.....	59	126156.....	65	215780.....	63	280064.....	55
087658.....	63	126157.....	65	216-20717.....	25	280549.....	65
088557.....	66	126933.....	64	216-20718.....	25	280831.....	51
088893.....	63	1254813.....	67	216-20719.....	25	280898 / P0352-336-00018.....	52
092405.....	65	1300236.....	5	216-20720.....	25	280899 / P0352-326-00018.....	52
100.703.2.....	24	1300266.....	6	216-20722.....	25	280927.....	49
100.703.2-2.5.....	24	135318.....	65	216-20815.....	25	280937.....	49
100.703.3.....	24	135320.....	65	216065.....	63	280937-2.5.....	49
100.703.4.....	24	149884/D5589-801-05000.....	53	216066.....	63	281003.....	52
100.703.5.....	24	149951.....	53	216199.....	65	281005 / P0352-323-00010.....	52
908085.....	21	1324858.....	61	217867.....	63	281006 / P0352-333-00010.....	52
909484.....	21	1324860.....	61	217953.....	66	281009.....	55
910315-S.....	19	1324861.....	61	217976.....	63	281010 / P0352-352-00008.....	52
913799.....	65	1324863.....	61	218969.....	66	281013 / P0352-325-00015.....	52
913800.....	65	1324864.....	61	221781.....	63	281024.....	49
913801.....	65	1324864.....	61	225213.....	65	281024-1.8.....	49
913965.....	65	1324865.....	61	225286.....	64	281030 / P0352-334-00012.....	52
913987.....	21	1324866.....	61	226939.....	65	281031 / P0352-335-00015.....	52
922376.....	21	1324867.....	61	226940.....	65	281034 / P0352-324-00012.....	52
922377.....	21	1373324.....	61	227144.....	65	281035 / P0352-354-00012.....	52
923013.....	19	1373325.....	61	234485.....	66	241795.....	63
923014.....	19	1373326.....	61	235592.....	63		
923025.....	19	1373327.....	61	237497.....	64		
924635.....	19	1373328.....	61	237497S.....	64		
924636.....	19	1373329.....	61	237498-1.2.....	64		
936678ATT.....	65	1373330.....	61	237500.....	64		
937988.....	65	1373331.....	61	237501.....	64		
937989.....	65	1507610.....	10	237503.....	64		
942638.....	19	1568227.....	3	237872.....	63		
960350ATT.....	65	1572361.....	3				

**LASER**

PHD™, PHDX™, Lightning®, Waltec™, Integra™, Lasertec® Laser Division of American Torch Tip®, Multi-Use™ and ProMix™ are trademarks owned by American Torch Tip Company. American Torch Tip Company is in no way affiliated with the above-named original equipment manufacturer(s). References to the above-named machines, torches, and numbers are for your reference only. Most parts advertised for sale are made by or for American Torch Tip, and other parts as indicated, are original parts manufactured by above-named, original equipment manufacturer (OEM) and are simply being re-sold by American Torch Tip. Footnotes: \* = OEM; # = American Torch Tip is licensed to make and sell this part by named manufacturer; ATTC and ATT suffix = This part is an original American Torch Tip design and is not manufactured identical to the OEM design; ® indicates a registered trademark, trade name, or product name of the above-named company. © Copyright 2023, American Torch Tip Company

LASER

281036 / P0352-355-00015 .....	10035269 .....	15	352283 .....	64	71369813 .....	3
281242 .....	10035270 .....	15	352284 .....	64	71369813-2.5 .....	3
281243 .....	10035271 .....	15	352285 .....	64	71369815 .....	3
281293 .....	10035272 .....	15	62094003 .....	4	71369816 .....	3
281298 .....	10035275 .....	15	62094004 .....	4	71369817 .....	3
281298 .....	10035278 .....	15	62094005 .....	10	71374509 .....	9
281329 .....	10035290 .....	15	62094006 .....	10	71398293 .....	9
281330 .....	10035292 .....	15	62094006-2.5 .....	10	71398965 .....	9
281331 .....	10035294 .....	15	62094006-RING .....	10	71399107 .....	8
281351 .....	10035296 .....	15	62094008 .....	10	71399107-Rebuild .....	8
281352 .....	10035298 .....	15	71101901 .....	4	71461026 .....	3
281353 .....	10035301 .....	15	71101902 .....	4	71461029 .....	3
281354 .....	10035302 .....	15	71101905 .....	3	71501056 .....	3
281463 .....	10045746 .....	15_18	71101999 .....	4	71501057 .....	3
281548 .....	10046025 .....	16	71101999-2.5 .....	4	71501058 .....	3
281549 .....	10046030 .....	16	71102000 .....	4	71501059 .....	3
281550 .....	10049744 .....	15	71102000-1.75 .....	4	71501070 .....	10
281551 .....	10049747 .....	15	71109613 .....	9	71501072 .....	10
281561/778550 .....	10051133 .....	16	71341481 .....	3	71501092 .....	3
281590 .....	10054099 .....	16	71341515 .....	10	71501093 .....	3
281591 .....	10071494 .....	16	71341515-1.75 .....	10	71502037 .....	3
281672 .....	10075057 .....	15	71341515-3.0 .....	10	71502043 .....	3
281814-2.0 .....	29100023 .....	59	71341621 .....	9	71512355 .....	9
281814/149957 .....	29100030 .....	59	71341622 .....	7_8	71570020 .....	3
1755673 .....	29100055 .....	59	71341630 .....	9	71570021 .....	3
1809091 .....	29100061 .....	59	71341634 .....	8	71570022 .....	3
1809421 .....	29100062 .....	59	71341680 .....	5	71570023 .....	3
1835747 .....	29100115 .....	59	71341680-3.0 .....	5	71570026 .....	11
1879940 .....	29100116 .....	59	71341680-3.5 .....	5	71570030 .....	3
1879951 .....	3-00407 .....	17	71341682 .....	6	71571308 .....	11
1879952 .....	3-01894 .....	17	71341682-2.0 .....	6	71712335 .....	3
1879953 .....	3-01895 .....	17	71341682-3.0 .....	6	71712692 .....	3
1886199 .....	3-01896 .....	17	71341682-4.0 .....	6	71716438 .....	3
1906032 .....	3-01897 .....	17	71341682-0 .....	6	71800018/W266 .....	7
2059462 .....	3-01898 .....	17	71341683 .....	4	71800019/W267 .....	7
2060001 .....	3-01899 .....	17	71341684 .....	6	71800023/W270 .....	7
2060004 .....	3-01900 .....	17	71341685 .....	4	79369815 .....	3
2060025 .....	3-01901 .....	17	71341687- Rebuild .....	6	81140186 .....	11
2085524 .....	3-01902 .....	17	71341690 .....	9	81140190 .....	11
2253595 .....	3-01903 .....	17	71341690-6 .....	9	81140221 .....	11
5241863 .....	3-04271 .....	17	71341690-Rebuild .....	9	81140225 .....	11
6506892 .....	3-04272 .....	17	71341728 .....	3	81140305 .....	11
7128020 .....	3-04275 .....	17	71341729 .....	3	81140306 .....	11
7150157 .....	3-04276 .....	17	71360091-Rebuild .....	5	81140307 .....	11
7150158 .....	3-09001 .....	17	71361393 .....	9	81140389 .....	11
8249301 .....	3-13113 .....	17	71362733 .....	10	81140400 .....	11
10035266 .....	3-13422 .....	17	71366096 .....	6	91800024/W515 .....	7
10035267 .....	352280 .....	64	71369809 .....	5	0628331820 .....	35
10035268 .....	352281 .....	64	71369812 .....	3	06283301200 .....	35

PHD™, PHDX™, Lightning®, Waltec™, Integra™, Lasertec® Laser Division of American Torch Tip®, Multi-Use™ and ProMix™ are trademarks owned by American Torch Tip Company. American Torch Tip Company is in no way affiliated with the above-named original equipment manufacturer(s). References to the above-named machines, torches, and numbers are for your reference only. Most parts advertised for sale are made by or for American Torch Tip, and other parts as indicated, are original parts manufactured by above-named, original equipment manufacturer (OEM) and are simply being re-sold by American Torch Tip. Footnotes: \* = OEM; # = American Torch Tip is licensed to make and sell this part by named manufacturer; ATTC and ATT suffix = This part is an original American Torch Tip design and is not manufactured identical to the OEM design; ® indicates a registered trademark, trade name, or product name of the above-named company. © Copyright 2023, American Torch Tip Company



06283301210.....	35	6930250853.....	13	46143304490.....	34_39	46603350540.....	38
06283301790.....	35	6930250854.....	13	46143304500.....	34	46612350270.....	40
06283301800.....	35	6930250857.....	13_16	46143304510.....	34	46612350280.....	40
06283301810.....	35	6930250858.....	13	46143306460.....	34	46612350280S.....	40
06283301840.....	35	6930250859.....	13	46143306480.....	34	4663350002.....	38
06283302110.....	35	6930250860.....	13	46143306490.....	34	46654801053.....	39
6603305021-1.8.....	38	6930250861.....	13	46143306500.....	34	46683300030.....	38
6930003224.....	13	36143304420.....	34	46143306510.....	34	46683300850.....	37
6930250001.....	50	36143310523.....	35	46143310332.....	35	46683300930.....	36
6930250002.....	50	36143310740.....	34	46143310341.....	35	46683301070.....	36
6930250003.....	50	36143311500.....	35	46143310351.....	35	46683301080.....	36
6930250004.....	50	36143311510.....	35	46143310361.....	35	46683301090.....	36
6930250031.....	13	36143311520.....	35	46143310371.....	35	46683301100.....	36
6930250032.....	13	36143311530.....	35	46143310381.....	35	46683301110.....	36
6930250033.....	13	36143311535.....	35	46143310391.....	35	46683301120.....	36
6930250034.....	13	36143312230.....	35	46143310401.....	35	46683301130.....	37
6930250035.....	13	36143312240.....	35	46512300520.....	40	46683301140.....	37
6930250036.....	13	36143312250.....	35	46522300241.....	40	46683301150.....	37
6930250043.....	13	36143312260.....	35	46522300242.....	39	46683301160.....	37
6930250044.....	13	36143312280.....	35	46523300060.....	34_35_38	46683301170.....	37
6930250800.....	13	36143312300.....	35	46523300061.....	38	46683301281.....	38
6930250801.....	13	36143312310.....	35	46523300061-1.8.....	38	46683301821.....	37
6930250802.....	13	36143312311.....	35	46523300062.....	38	46683301841.....	37
6930250803.....	13	36143312320.....	35	46523300063.....	38	46683301930.....	37
6930250804.....	13	36143312330.....	35	46523300063-2.5.....	38	46683301950.....	37
6930250805.....	13	36143312340.....	35	46523300080.....	38	46683301950-1.0.....	37
6930250806.....	13	36143312350.....	35	46523300090.....	38	46683301950-1.2.....	37
6930250807.....	13	36143312390.....	35	46572301013.....	40	46683301950-3.5.....	37
6930250808.....	13	36564800714.....	39	46572301041.....	40	46683301950-4.0.....	37
6930250809.....	13	36564801270.....	39	46572301041T.....	40	46683301960.....	37
6930250810.....	13	36572301012.....	40	46572301042.....	40	46683301970.....	37
6930250811.....	13	36602300230.....	40	46572301042S.....	40	46683301980.....	39
6930250812.....	13	36602300550.....	40	46583301720.....	38	46713300280.....	39
6930250813.....	13	36623300700.....	39	46600030013.....	39	46713300290.....	39
6930250814.....	13	36673300280.....	40	46602350080.....	40	46713300300.....	39
6930250815.....	13	36682300050.....	40	46602350080S.....	40	46713300310.....	39
6930250816.....	13	36682300280.....	40	46602350080X.....	40	46713300320.....	39
6930250817.....	13	36682300281.....	40	4660235070.....	40	46713300410.....	39
6930250818.....	13	4-00324.....	17	46603300032.....	36_38	46713300430.....	39
6930250837.....	13	4-03136.....	17	46603350510.....	38	46713300440.....	39
6930250838.....	13	4-03137.....	17	46603350520.....	38	485.73.114C.....	30
6930250845.....	13	415684-015.....	49	46603350521.....	38	485.73.115A.....	30
6930250846.....	13	46143304450.....	34	46603350521-1.2.....	38	485.73.116A.....	30
6930250847.....	13	46143304450 1.5.....	39	46603350521-1.3.....	38	5241855.....	58
6930250848.....	13	46143304460.....	34	46603350521-1.6.....	38	5241856.....	58
6930250849.....	13	46143304460 2.0.....	39	46603350522.....	38	5241857.....	58
6930250850.....	13	46143304470.....	39	46603350522-2.5.....	38	5241862.....	58
6930250851.....	13	46143304480.....	34	46603350523.....	38	5241877.....	58
6930250852.....	13	46143304480 2.5.....	39	4660350001.....	36	5241878.....	58

**LASER**

PHD™, PHDX™, Lightning®, Waltec™, Integra™, Lasertec® Laser Division of American Torch Tip®, Multi-Use™ and ProMix™ are trademarks owned by American Torch Tip Company. American Torch Tip Company is in no way affiliated with the above-named original equipment manufacturer(s). References to the above-named machines, torches, and numbers are for your reference only. Most parts advertised for sale are made by or for American Torch Tip, and other parts as indicated, are original parts manufactured by above-named, original equipment manufacturer (OEM) and are simply being re-sold by American Torch Tip. Footnotes: \* = OEM; # = American Torch Tip is licensed to make and sell this part by named manufacturer; ATTC and ATT suffix = This part is an original American Torch Tip design and is not manufactured identical to the OEM design; ® indicates a registered trademark, trade name, or product name of the above-named company. © Copyright 2023, American Torch Tip Company

5241982 .....	58	922408 .....	19	BQ983D151-H04 .....	43	<b>D</b>	D40 .....	60								
562311 .....	53	922464 .....	20	BQ983D152-H01 .....	43		D50 .....	60								
563983 .....	53	922465 .....	20	BQ983D152-H05 .....	43		DIRECTED LIGHT® .....	22								
46773300721 .....	37	922770 .....	20	BQ983D153-H01 .....	43		DX .....	55								
56743300500 .....	39	922772 .....	20	BQ983D153-H02 .....	43		DXN .....	55								
603-271-005 .....	34	923013 .....	19	BQ983D206H00 .....	43		DZ .....	55								
710.11.150 .....	30	923014 .....	19	BQ983D206H01 .....	43		<b>E</b>	ELE-AL 1.5 .....	22							
710.11.152 .....	30	923021-S .....	19	BQ983D206H02 .....	43			ELECTROX .....	22							
710.11.153 .....	30	923259 .....	19	BQ983D206H03 .....	43			<b>F</b>	FANUC® .....	23						
710.11.155 .....	30	923260 .....	19	BQ983D206H04 .....	43				FiberCut™ ST .....	32						
710.11.156 .....	30	924634 .....	19	BQ983D206H11 .....	43	FN4325 .....			22							
71101905 .....	3	924634-4.0 .....	19	BQ983D206H12 .....	43	FN5800 .....			22							
71341610 .....	5	924636 .....	19	BQ983D206H13 .....	43	<b>G</b>			Gremada® .....	24						
71341610-2.5 .....	5	924637 .....	19	BQ983D206H14 .....	43				<b>H</b>	H03014 .....	27					
71341614A .....	5	942742 .....	64	BQ983D314-H01 .....	43					H03017 .....	27					
71360090 .....	5	955043 .....	65	BQ983D314-H03 .....	43					H03019 .....	27					
71360091 .....	5	960351 .....	65	BQ980442G01 .....	43		H03021 .....			27						
71360142 .....	5	968-41-57-812 .....	28	BY310-0398 .....	16		H03023 .....			27						
71369819 .....	5	968-41-57-812-1.6 .....	28	BySmart .....	15		HCH-S01201 .....	26								
722.52190 .....	42	968-41-57-850 .....	28	Byspeed and Spare Parts .....	17		HCH-TP1515 .....	26								
722.52191 .....	42	968-41-93-761 .....	28	Bysprint® .....	14_15		HCH-TP1520 .....	26								
722.52192 .....	42	<b>A</b>	AHS100 .....	10	BySprint .....		15	HCH-TP1525 .....		26						
722.52280 .....	42			Amada® .....	6	ByStar® .....	14_15	HCH-TP2030 .....		26						
722.52281 .....	42			<b>Lasmac 667/664 Water Assist..... 4</b>		ByStronic® .....	14_15_16_17_18	Huffman® .....	25							
722.52282 .....	42			<b>WACS Sensor System .... 6</b>		<b>C</b>	C20D .....	60	<b>K</b>	KN .....	55_65					
7945434 .....	58			<b>Amada® ..... 3_4_5_7_8</b>				C20D-1 .....			60	KN / Tubematic .....	65			
7945452 .....	58			<b>Optics ..... 9_10</b>				C20D-2 .....			60	Komatsu® .....	28			
7945470 .....	58			<b>Sensor System HS95. 5</b>				C20E .....			60	<b>L</b>	L4003E .....	64		
7945517 .....	58			<b>B</b>	Behrens® .....			11			C20E-1 .....		60	L51 .....	12	
834-319-001 .....	31							BEHRENS® .....			12		C20E-2 .....	60	L52 .....	12
907469 .....	20							BLM®/Adige .....			13		C20E-2-1.5 .....	60	L53 .....	12
907470 .....	20	BQ980D311G02 .....	43					C22D .....			60		L53-2.0 .....	12		
907470-1.8 .....	20	BQ980D328G01 .....	43					C22D-1 .....			60		L60 .....	12		
907470-S .....	20	BQ980D434G01 .....	43					C22D-2 .....			60		<b>D</b>	D40 .....	60	
907472 .....	20	BQ980D434G15 .....	43			C25C .....	60	D50 .....	60							
907557 .....	21	BQ980D434G20 .....	43			C25C-1 .....	60	DIRECTED LIGHT® .....	22							
907677 .....	20	BQ980D434G25 .....	43			C25C-2 .....	60	DX .....	55							
908090 .....	20	BQ980D434G30 .....	43			C30D .....	60	DXN .....	55							
908090-2.0 .....	20	BQ980D434G35 .....	43	C30E .....	60_65	DZ .....	55									
908090-S .....	20	BQ980D442G03 .....	43	C30E-1 .....	60	<b>E</b>	ELE-AL 1.5 .....	22								
908446 .....	64	BQ983D150-H01 .....	43	C50762A .....	13		ELECTROX .....	22								
909657 .....	19	BQ983D151-H01 .....	43	Cincinnati® .....	19_20_21		FANUC® .....	23								
909658 .....	19	<b>C</b>	C20D .....	60	<b>F</b>		FiberCut™ ST .....	32								
909659 .....	19			C20D-1 .....			60	FN4325 .....	22	FN5800 .....	22					
909660 .....	19			C20D-2 .....			60	<b>G</b>	Gremada® .....	24						
910315 .....	19			C20E .....			60		<b>H</b>	H03014 .....	27					
910315-S .....	19			C20E-1 .....			60			H03017 .....	27					
920006 .....	20			C20E-2 .....			60			H03019 .....	27					
920006-2.5 .....	20			C20E-2-1.5 .....			60			H03021 .....	27					
				C22D .....		60	H03023 .....			27						
				C22D-1 .....		60	HCH-S01201 .....			26						
				C22D-2 .....		60	HCH-TP1515 .....			26						
		C25C .....	60	HCH-TP1520 .....	26											
		C25C-1 .....	60	HCH-TP1525 .....	26											
		C25C-2 .....	60	HCH-TP2030 .....	26											
		C30D .....	60	Huffman® .....	25											
		C30E .....	60_65	<b>K</b>	KN .....	55_65										
		C30E-1 .....	60		KN / Tubematic .....	65										
		C50762A .....	13		Komatsu® .....	28										
		Cincinnati® .....	19_20_21		<b>L</b>	L4003E .....	64									
						L51 .....	12									
						L52 .....	12									
						L53 .....	12									
						L53-2.0 .....	12									
						L60 .....	12									

PHD™, PHDX™, Lightning®, Waltec™, Integra™, Lasertec® Laser Division of American Torch Tip®, Multi-Use™ and ProMix™ are trademarks owned by American Torch Tip Company. American Torch Tip Company is in no way affiliated with the above-named original equipment manufacturer(s). References to the above-named machines, torches, and numbers are for your reference only. Most parts advertised for sale are made by or for American Torch Tip, and other parts as indicated, are original parts manufactured by above-named, original equipment manufacturer (OEM) and are simply being re-sold by American Torch Tip. Footnotes: \* = OEM; # = American Torch Tip is licensed to make and sell this part by named manufacturer; ATTC and ATT suffix = This part is an original American Torch Tip design and is not manufactured identical to the OEM design; ® indicates a registered trademark, trade name, or product name of the above-named company. © Copyright 2023, American Torch Tip Company

L1003 .....	63	MX-0860 .....	27	P0352-328-00025.....	52	P0591-574-00018.....	27	
L2503 .....	63	MX-0861 .....	27	P0352-336-0002.....	52	P0591-575-00020.....	27	
L2503E.....	64	MX-0862 .....	27	P0352-353-00018.....	52	P0591-576-00025.....	27	
L2530 .....	64	MX-0863 .....	27	P0352-381-00020.....	52	P0594-820-00001.....	53	
L3003 .....	63	MX-0864 .....	27	P0352-382-00020.....	52	P0594-860-00001.....	7_53	
L3003E.....	64	MX-0865 .....	27	P0352-383-00010.....	52	P0595-58601 .....	55	
L3030 .....	64	MX-0875 .....	27	P0352-384-00012.....	52	P0787-483-00015.....	55	
L4003 .....	63	MX-0989 .....	26	P0352-385-00025.....	52	P0787-483-00015-1.75 .....	55	
L4030 .....	64	MX-0990 .....	26	P0352-386-00015.....	55	P0787-483-00015-2.0 .....	55	
L6030 .....	64	MX-0991 .....	26	P0352-387-00020.....	55	PARTIAL REFLECTORS.....	69	
LA-488 .....	56	MX-0992 .....	26	P0352-388-00030.....	52	PLANO CONVEX FOCUSING		
LASAG.LONG .....	28	MX-0993 .....	26	P0352-392-00030.....	55	LENSES .....	68	
LASAG.SHORT .....	28	MX-0994 .....	26	P0354-110-00001.....	52	PLGJT0006.....	20	
Lasag®.....	28	MX-0995 .....	26	P0356-201-00001.....	52	PLGJT0010.....	20	
Laserdyne®.....	30_31_33				P0380-110-00002.....	51	PLGJT0172.....	32
Laser Lab® .....	29				P0492-441-00008.....	49	PLGJT0682.....	32
Laser Mechanisms®.....	32				P0492-483-00015.....	55	PLGJT0711 .....	32
LUMONICS .....	34				P0492-484-00020.....	55	PLISROw033 .....	32
LUMONICS/MAZAK® .....	34				P0494-853-00010.....	49	PLORG0017 .....	32
LVD® .....	58_59				50_51_52_53_54_55		PLTRA0325.....	19
LW3.46.101A.....	30				P0494-854-00012.....	54	PO494-752-00001 .....	13
LW6.1E-111.....	30				P0494-855-00015.....	54	Precitec®.....	50_51_52_53_54_55
LW6.1E.111-1.75.....	30				P0572-0415-00020.....	50	PRECITEC®.....	49
LW6.1E.112 .....	30				P0578-0412-00012.....	50	Prima® .....	30_31
LW6.1E.113 .....	30				P0578-0413-00015.....	50		
LW6.1E.114 .....	30				P0578-0414-00018.....	50		
LW6.1G.601 .....	30				P0589-400-00001.....	53_66		
LW6.1G.602.....	30				P0589-424-0008.....	53		
LW6.1G.603.....	30				P0589-426-00010.....	53		
LW6.59.130A.....	30				P0589-800-00001.....	53_66		
LX/LXP.....	44				P0591-002-00010.....	27		
					P0591-002-00012.....	27_50		
					P0591-002-00014.....	50		
					P0591-002-00015.....	27_50		
					P0591-002-00018.....	27_50		
					P0591-002-00020.....	27_50		
					P0591-002-00023.....	27		
					P0591-002-00025.....	27_50		
					P0591-571-00010.....	27_50		
					P0591-572-00012.....	27		
					P0591-573-00015.....	50		
					P0591-574-00018.....	27_50		
					P0591-575-00020.....	27		
					P0591-576-00025.....	27		
					P0594-820-00001.....	53		
					P0594-860-00001.....	7_53		
					P0595-58601 .....	55		
					P0787-483-00015.....	55		
					P0787-483-00015-1.75 .....	55		
					P0787-483-00015-2.0 .....	55		
					PARTIAL REFLECTORS.....	69		
					PLANO CONVEX FOCUSING			
					LENSES .....	68		
					PLGJT0006.....	20		
					PLGJT0010.....	20		
					PLGJT0172.....	32		
					PLGJT0682.....	32		
					PLGJT0711 .....	32		
					PLISROw033 .....	32		
					PLORG0017 .....	32		
					PLTRA0325.....	19		
					PO494-752-00001 .....	13		
					Precitec®.....	50_51_52_53_54_55		
					PRECITEC®.....	49		
					Prima® .....	30_31		
							<b>Q</b>	
					Q6143300020 .....	35		
					Q6143300030 .....	35		
					Q6143300040 .....	35		
					Q6283300010 .....	35		
					Q6283300020 .....	35		
					Q6283300030 .....	35		
							<b>R</b>	
					ROFIN SINAR®.....	56		
							<b>S</b>	
					S-14.....	4		
					S-20.....	4		
					S17B .....	60		
					S20B .....	60		
					S25B .....	60		
					S30B .....	60		
					S50B .....	60		
					SALVAGNINI®.....	57		
					SCL .....	55		

**LASER**

PHD™, PHDX™, Lightning®, Waltec™, Integra™, Lasertec® Laser Division of American Torch Tip®, Multi-Use™ and ProMix™ are trademarks owned by American Torch Tip Company. American Torch Tip Company is in no way affiliated with the above-named original equipment manufacturer(s). References to the above-named machines, torches, and numbers are for your reference only. Most parts advertised for sale are made by or for American Torch Tip, and other parts as indicated, are original parts manufactured by above-named, original equipment manufacturer (OEM) and are simply being re-sold by American Torch Tip. Footnotes: \* = OEM; # = American Torch Tip is licensed to make and sell this part by named manufacturer; ATTC and ATT suffix = This part is an original American Torch Tip design and is not manufactured identical to the OEM design; ® indicates a registered trademark, trade name, or product name of the above-named company. © Copyright 2023, American Torch Tip Company

SE-145.....	56	6930250818.....	13	W233-1.2.....	45	W1664.....	44
SENSOR SYSTEM 2.5"Z/J.....	49	6930250837.....	13	W258.....	7	W1665.....	44
SENSOR SYSTEM 5"DKN.....	51	6930250838.....	13	W258-3.5.....	7	W1666.....	44
SENSOR SYSTEM 5"K.....	54	6930250848.....	13	W263.....	44	W1772.....	44
SENSOR SYSTEM 5"KN.....	54	6930250849.....	13	W263S.....	44	W223.....	45
SHIBUYA®.....	56	6930250850.....	13	W266.....	44	W224.....	45
SP-810-055.....	56	6930250851.....	13	W267.....	44	W225.....	45
SPA01-B0001.....	22	6930250852.....	13	W268.....	7_44	W225-2.5.....	45
SPA01-B0002.....	22	6930250853.....	13	W268-3.5.....	44	W226.....	45
SPA01-B0003.....	22	6930250854.....	13	W268-4.0.....	7_44	W226-3.5.....	45
SPA01-B0004.....	22	6930250857.....	13_16	W269.....	44	W239.....	45
SPA01-B0031.....	22	6930250858.....	13	W269S.....	44	W400.....	46
SPECTRA PHYSICS®.....	56	6930250859.....	13	W270.....	44		
Strippit®.....	58_59	6930250860.....	13	W270-6.....	44		
Super Charge X510.....	36_37	6930250861.....	13	W387.....	7_44		
		L53-2.0.....	12	W388.....	7_44	YH27.....	53
		PO494-752-00001.....	13	W389.....	7_44	YK52.....	55
3-01658.....	14			W390.....	44		
3-04273-S.....	14			W429A.....	44		
3-14317.....	14			W429-N.....	44		
3-14318.....	14			W495.....	41	Z50MB000130.....	41
3-14319.....	14			W500.....	47	Z50MB000160.....	41
3-16059.....	14			W505.....	47	Z50MB000400.....	41
3-16060.....	14			W510.....	47	Z50ZZ005150.....	41
3-16061.....	14			W515.....	44	Z50ZZ005160.....	41
4-04976.....	17			W576.....	7_44	Z50ZZ005190.....	41
10075057.....	15			W777.....	44	Z50ZZ005200.....	41
6930250031.....	13			W777.....	44	ZC11250160.....	11
6930250032.....	13			W777-1.2.....	44	ZC11375160.....	11
6930250033.....	13			W812A.....	44	ZC11500160.....	11
6930250034.....	13			W813.....	47	ZC11750160.....	11
6930250035.....	13			W830.....	44	ZC15100236.....	31
6930250036.....	13			W1075.....	44	ZC15250236.....	31
6930250043.....	13			W1249.....	44	ZC15350118.....	47_59
6930250044.....	13			W1250.....	44	ZC15375236.....	31
6930250801.....	13			W1251.....	44	ZC15375300.....	11
6930250802.....	13			W1252.....	44	ZC15500118.....	41
6930250803.....	13			W1253.....	44	ZC15500236.....	31_41_59
6930250804.....	13			W1254.....	44	ZC15500300.....	11_31
6930250805.....	13			W1255.....	44	ZC15500310.....	41_47
6930250806.....	13			W1256.....	44	ZC15518280.....	21
6930250807.....	13			W149.....	45	ZC15750236.....	31
6930250808.....	13			W1626.....	44	ZC15750300.....	11_31_59
6930250809.....	13			W1627.....	44	ZC15750315.....	47
6930250811.....	13			W1627C.....	44	ZC15766280.....	21
6930250812.....	13			W1628.....	44	ZC20500120.....	41
6930250813.....	13			W1629.....	44	ZC20500310.....	41_47
6930250814.....	13			W1630.....	44	ZC20500380.....	11
6930250816.....	13			W165.....	46	ZC20519380.....	21
6930250817.....	13			W1661.....	44	ZC20750197.....	41

PHD™, PHDX™, Lightning®, Waltec™, Integra™, Lasertec® Laser Division of American Torch Tip®, Multi-Use™ and ProMix™ are trademarks owned by American Torch Tip Company. American Torch Tip Company is in no way affiliated with the above-named original equipment manufacturer(s). References to the above-named machines, torches, and numbers are for your reference only. Most parts advertised for sale are made by or for American Torch Tip, and other parts as indicated, are original parts manufactured by above-named, original equipment manufacturer (OEM) and are simply being re-sold by American Torch Tip. Footnotes: \* = OEM; # = American Torch Tip is licensed to make and sell this part by named manufacturer; ATTC and ATT suffix = This part is an original American Torch Tip design and is not manufactured identical to the OEM design; ® indicates a registered trademark, trade name, or product name of the above-named company. © Copyright 2023, American Torch Tip Company

ZC20750310 ..... 47  
 ZC20750380A ..... 11  
 ZC20750380M ..... 41  
 ZC20769380 ..... 21  
 ZC155018160 ..... 21  
 ZM15375236 ..... 31  
 ZM15500100 ..... 67  
 ZM15500291 ..... 59\_67  
 ZM15500350 ..... 59  
 ZM15750100 ..... 67  
 ZM15750291 ..... 59\_67  
 ZM15750350 ..... 59  
 ZM18500354 ..... 59  
 ZM18750354 ..... 59  
 ZM20100380 ..... 59  
 ZM20125380 ..... 59  
 ZM20750380 ..... 47\_59

**LASER**

## **MIG** WELDING PRODUCTS

**LIGHTNING**

## **PLASMA** CUTTING PRODUCTS

**PHD™ PHDX™ CleanCut™**

## **OXY-FUEL** WELDING & CUTTING PRODUCTS

AMERICAN  
TORCH TIP **ATTC**

## **TIG** WELDING PRODUCTS

AMERICAN  
TORCH TIP **ATTC**

## **LASER** CUTTING PRODUCTS

**LASERTEC**



Since 1940  
Made In the USA

AMERICAN  
TORCH TIP **ATTC**