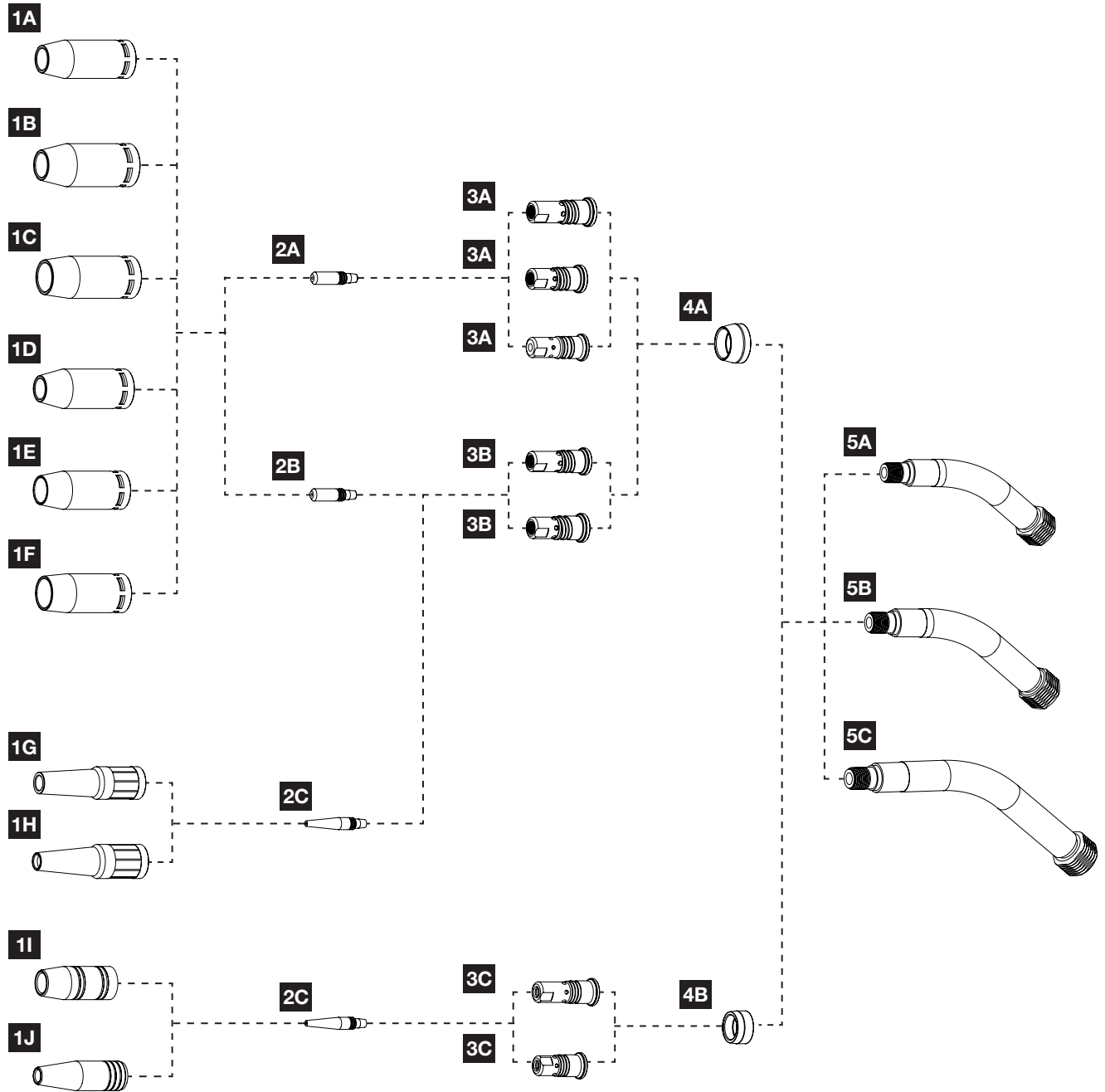


**MILLER® FASTIPS®**

MIG





PROVIDING PREMIUM QUALITY WELDING PRODUCTS TO THE WORLD

# MILLER® FASTIPS®

## 1. NOZZLES

### I.D.

#### Screw On Nozzles

A	207313	Copper	5/8"
B	199614	Heavy Duty Brass	5/8"
	199618	Heavy Duty Copper	5/8"
C	199612	Heavy Duty Brass	3/4"
	199617	Heavy Duty Copper	3/4"
D	199610	Standard Brass	1/2"
	199615	Standard Copper	1/2"
E	199613	Standard Brass	5/8"
	198855	Standard Copper	5/8"
F	199611	Standard Brass	3/4"
	199616	Standard Copper	3/4"

#### Screw On Tapered Nozzles

G	209036	Nozzle Copper	1/2"
H	209035	Nozzle Copper	3/8"

#### Slip On Tapered Nozzles

I	209033	Nozzle Copper	1/2"
J	209034	Nozzle Copper	3/8"

## 2. CONTACT TIPS

### A Heavy Duty

206184	HD Contact Tip	.023
206185	HD Contact Tip	.030
206186	HD Contact Tip	.030-.035" AL
206187	HD Contact Tip	.035-.040" AL
206188	HD Contact Tip	.040-.045" AL
206189	HD Contact Tip	.052-3/64" AL
206190	HD Contact Tip	1/16" AL
206191	HD Contact Tip	.068" AL
206192	HD Contact Tip	5/64" AL
206193	HD Contact Tip	3/32"

### B Extra Heavy Duty

199605	Extra HD Contact Tip	.030-.035" AL
199606	Extra HD Contact Tip	.035-.040" AL
198851	Extra HD Contact Tip	.040-.045" AL
198852	Extra HD Contact Tip	.052-3/64" AL
198853	Extra HD Contact Tip	1/16"
198854	Extra HD Contact Tip	.068"
199607	Extra HD Contact Tip	5/64"
199608	Extra HD Contact Tip	3/32"
199609	Extra HD Contact Tip	7/64-1/8"

### C Tapered

209024	Tapered Contact Tip	.023"
209025	Tapered Contact Tip	.030"
209026	Tapered Contact Tip	.035"
209027	Tapered Contact Tip	.045"
209028	Tapered Contact Tip	3/64"
209029	Tapered Contact Tip	.052"
209030	Tapered Contact Tip	1/16"

## 3. DIFFUSERS

### A Standard

206196	Flush Tip
206195	1/8" Tip Recess
210664	1/4" Tip Recess

### B Extra Heavy Duty

199623	Flush Tip
198857	1/8" Recess

### C Slip-On

209031	Slip-on Recessed
209032	Slip-on Flush

## 4. INSULATORS

A	198856	Standard Insulator
B	209047	Tapered Insulator

## 5. GOOSENECKS

### Aluminum jacketed w/wrench swivel

A	199625	4.5"/45° Bend - 360° swivel
B	199626	6"/45° Bend - 360° swivel
C	199627	8"/45° Bend - 360° swivel

MIG