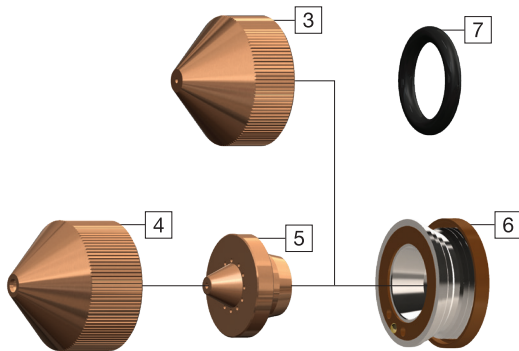


| Pos | Part #     | Ref # | Part Name  |
|-----|------------|-------|--|
| 1   | ZC20500310 | W505  | 2.0"Ø ZnSe Lens, .310" edge thickness, 5.0" focal length |
|     | ZC20750310 | W510  | 2.0"Ø ZnSe Lens, .310" edge thickness, 7.0" focal length |
| 2   | 632336-117 |       | 25.4mm x 4mm Fused Silica Protective Window              |
|     | 633744-137 |       | 50mm x 8mm Fused Silica Protective Window                |



| Pos | Part # | Part Name           |
|-----|--------|---------------------|
| 3   | W1626C | Single Nozzle 1.0mm |
|     | W1627C | Single Nozzle 1.2mm |
|     | W1628  | Single Nozzle 1.5mm |
|     | W1661  | Single Nozzle 1.7mm |
|     | W1629  | Single Nozzle 2.0mm |
|     | W1630  | Single Nozzle 2.5mm |
|     | W1664  | Single Nozzle 3.0mm |
|     | W1665  | Single Nozzle 3.5mm |
|     | W1666  | Single Nozzle 4.0mm |
|     | W1662  | Single Nozzle 4.5mm |
|     | W1663  | Single Nozzle 5.0mm |

| Pos | Part #          | Part Name                    |
|-----|-----------------|------------------------------|
| 4   | W269 / W269-S   | Double Nozzle - Outer        |
| 5   | W390            | Nozzle inner 4 holes, 1.3mm  |
|     | W270            | Nozzle inner 8 holes, 1.3mm  |
|     | W270-2.0        | Nozzle inner 8 holes, 2.0mm  |
|     | W387            | Nozzle inner 12 holes, 1.3mm |
|     | W388            | Nozzle inner 16 holes, 1.3mm |
| 6   | W389            | Nozzle inner 20 holes, 1.3mm |
|     | W515            | Nozzle inner 24 holes, 1.5mm |
| 6   | P0594-860-00001 | Short Insulator for LV       |
| 7   | W290            | O-ring 4DP16                 |

## AMERICAN TORCH TIP®

6212 29th Street East, Bradenton, FL

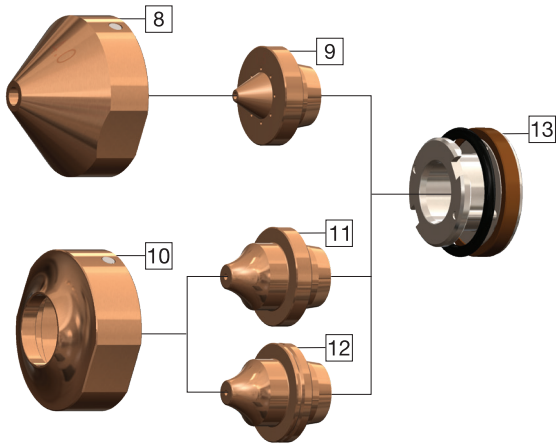
941-753-7557

Sales@attcusa.com

AmericanTorchTip.com

† American Torch Tip Company is in no way affiliated with the above-named manufacturer(s). References to the above-named machines, torches and numbers are for your convenience only. American Torch Tip is not necessarily authorized by the above-named manufacturer(s) to provide replacement parts. Most parts advertised for sale are made by, or for, American Torch Tip Company and other parts, as indicated, are original parts manufactured by the above-named OEM and are simply being resold by American Torch Tip Company. Part numbers followed by an \* are manufactured by the respective OEM.





| Pos          | Part #       | Part Name                                 |  |
|--------------|--------------|---|--|
| 8            | BQ980D434G15 | Nozzle EX outer, 1.5mm                    |  |
|              | BQ980D434G20 | Nozzle EX outer, 2.0mm                    |  |
|              | BQ980D434G25 | Nozzle EX outer, 2.5mm                    |  |
|              | BQ980D434G30 | Nozzle EX outer, 3.0mm                    |  |
|              | BQ980D434G35 | Nozzle EX outer, 3.5mm                    |  |
|              | BQ980D434G01 | Nozzle EX outer, (thick) 4.0mm            |  |
|              | BQ980D442G03 | Nozzle EX outer, 4.0mm                    |  |
|              | BQ980D442G01 | Nozzle EX outer, 7.0mm                    |  |
|              | 9            | BQ983D206H00                              | Nozzle EX inner 3 holes w/ o-ring, 1.5mm |
|              |              | BQ983D206H01                              | Nozzle EX inner 4 holes w/ o-ring, 1.5mm |
| BQ983D206H02 |              | Nozzle EX inner 6 holes w/ o-ring, 1.5mm  |  |
| BQ983D206H03 |              | Nozzle EX inner 8 holes w/ o-ring, 1.5mm  |  |
| BQ983D206H04 |              | Nozzle EX inner 24 holes w/ o-ring, 1.5mm |  |
| BQ983D206H10 |              | Nozzle EX inner 3 holes w/ o-ring, 2.0mm  |  |

| Pos | Part #        | Part Name                                 |
|-----|---------------|---|
| 9   | BQ983D206H11  | Nozzle EX inner 4 holes w/ o-ring, 2.0mm  |
|     | BQ983D206H12  | Nozzle EX inner 6 holes w/ o-ring, 2.0mm  |
|     | BQ983D206H14  | Nozzle EX inner 24 holes w/ o-ring, 2.0mm |
| 10  | BQ980D328G01  | Nozzle EX outer for Single Nozzle         |
| 11  | BQ983D150-H01 | Nozzle w/ o-ring, 1.0mm                   |
|     | BQ983D314-H01 | Nozzle w/ o-ring, 1.4mm                   |
| 12  | BQ983D151-H01 | Nozzle w/ o-ring, 1.2mm                   |
|     | BQ983D152-H01 | Nozzle w/ o-ring, 1.7mm                   |
|     | BQ983D153-H01 | Nozzle w/ o-ring, 1.5mm                   |
|     | BQ983D153-H02 | Nozzle w/ o-ring, 2.0mm                   |
|     | BQ983D153-H03 | Nozzle w/ o-ring, 2.5mm                   |
|     | BQ983D153-H04 | Nozzle w/ o-ring, 3.0mm                   |
|     | BQ983D153-H05 | Nozzle w/ o-ring, 3.5mm                   |
| 13  | BQ980D311G02  | Nozzle Holder, EX insulation              |

## PRECISION MANUFACTURING

Strict inspections are applied using high-quality equipment at the floor level on CNC and milling machines then delivered to our final inspection department. All parts are hand-polished and packaged with gloves.

**Thousands of parts in stock.**

**Learn more at:**

[AmericanTorchTip.com/lasertec](http://AmericanTorchTip.com/lasertec)

## AMERICAN TORCH TIP®

6212 29th Street East, Bradenton, FL

941-753-7557

Sales@attcusa.com

AmericanTorchTip.com

† American Torch Tip Company is in no way affiliated with the above-named manufacturer(s). References to the above-named machines, torches and numbers are for your convenience only. American Torch Tip is not necessarily authorized by the above-named manufacturer(s) to provide replacement parts. Most parts advertised for sale are made by, or for, American Torch Tip Company and other parts, as indicated, are original parts manufactured by the above-named OEM and are simply being resold by American Torch Tip Company. Part numbers followed by an \* are manufactured by the respective OEM.

