

CLEANCUT™ ELECTRODE

1 Extend Electrode Life

- More efficient cooling
- Extended hafnium electrode life
- 25% – 50% longer production time

2 Prevent Nozzle Damage

- Cooler silver electrodes diminish nozzle damage
- Nozzles paired with silver electrodes last longer

CLEANCUT™ NOZZLE

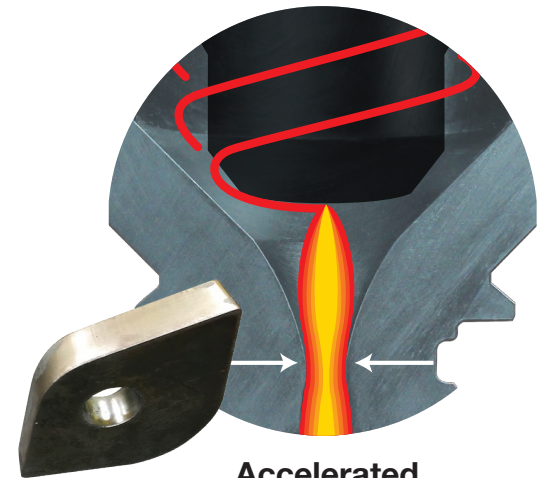
(patent pending)

3 Supercharge the Plasma Arc

- Smooth-bore configuration reduces turbulence
- Stabilizes and accelerates the plasma arc column
- Produces ultra-smooth cuts



**BURN LONGER.
CUT CLEANER.**



**Accelerated
Nozzle Velocity**

ATTC® is a registered trademark of American Torch Tip Co. and may be registered in the United States and/or other countries. All other trademarks are the properties of their respective owners. ATTC is in no way affiliated with Hypertherm® or Kaliburn®.

AMERICAN TORCH TIP®

6212 29th Street East, Bradenton, FL

941-753-7557

Sales@attcusa.com

AmericanTorchTip.com

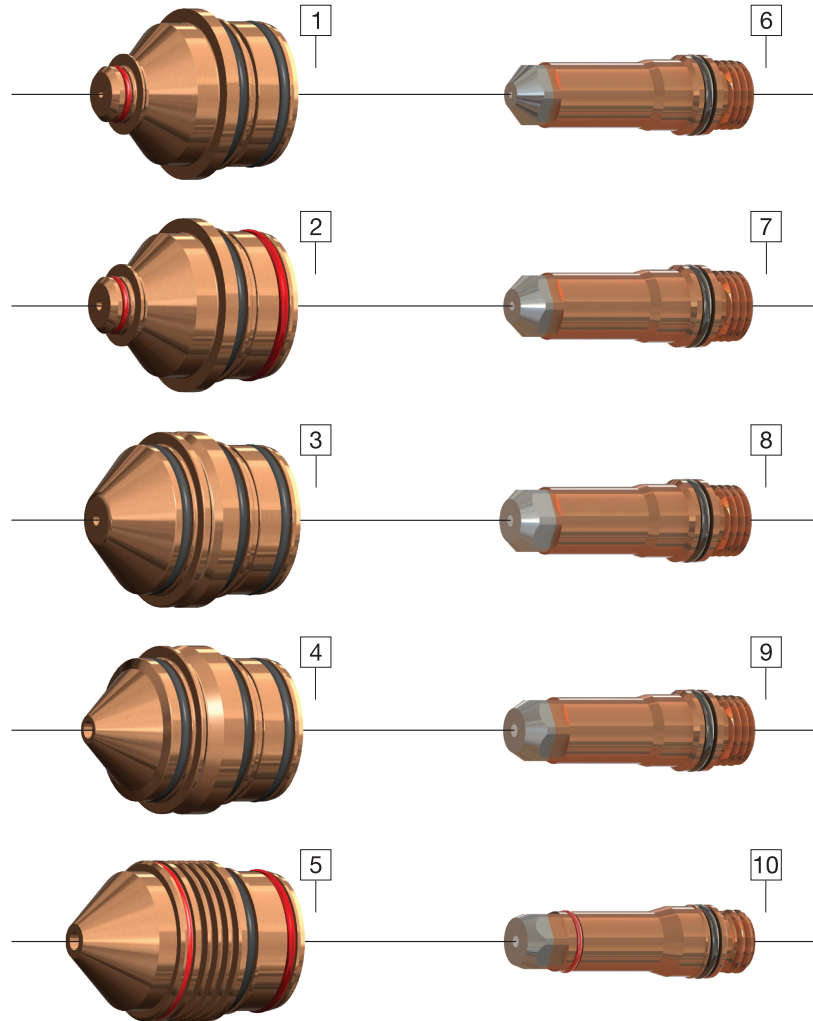
**CREATING A BETTER
EXPERIENCE**



- HPR® & HPRXD®
- Kaliburn® Spirit®, PL2200 & PL2260

NOZZLE			
Pos	PHDX Part #	PHD Part #	Amp
1	90-0188	60-0188	80
2	90-0182	60-0182	130
3	90-0354	60-0354	200
4	90-0439	60-0439	260
5	90-0632		400

ELECTRODE			
Pos	PHDX Part #	PHD Part #	Amp
6	90-0566	60-0566	80
7	90-0665	60-0665	130
8	90-0666	60-0666	200
9	90-0668	60-0668	260
10	90-0530		400



ATTC® is a registered trademark of American Torch Tip Co. and may be registered in the United States and/or other countries. All other trademarks are the properties of their respective owners. ATTC is in no way affiliated with Hypertherm® or Kaliburn®.

AMERICAN TORCH TIP®

6212 29th Street East, Bradenton, FL
941-753-7557
Sales@attcusa.com
AmericanTorchTip.com

CREATING A BETTER
EXPERIENCE

