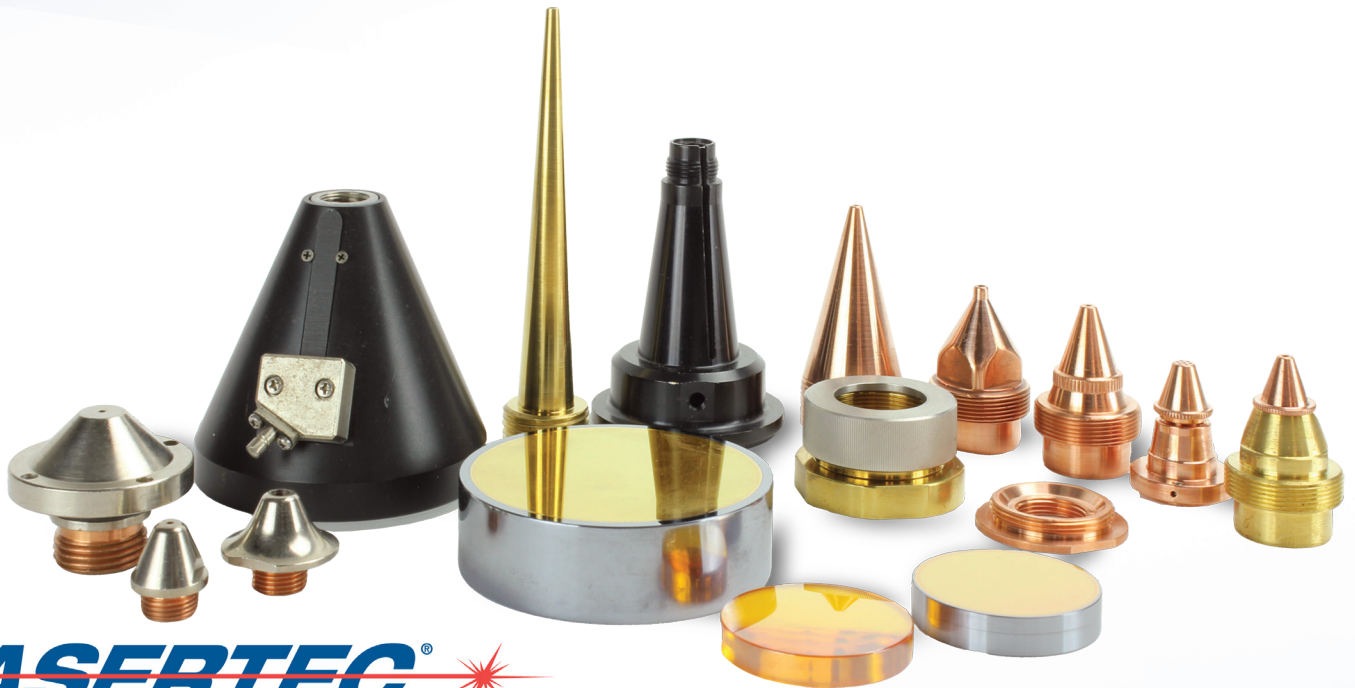


LASER CUTTING PRODUCTS



LASERTEC® 

**SENSORS, CONSUMABLES, LENSES,
REFLECTORS AND REPLACEMENT PARTS**

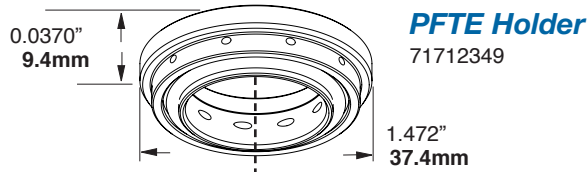
American Torch Tip **LASERTEC**® for Most Brands
Made In the USA

**AMERICAN
TORCH TIP ATTC**® 

LASER TABLE OF CONTENTS – BY BRAND

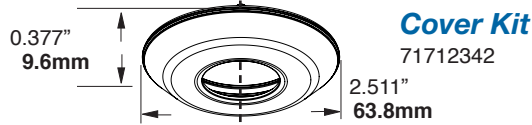
Amada®	3	Lumonics	33
Behrens®	12	Mazak®	34
BLM/Adige	13	MG®	42
Bystronic®	14	Mitsubishi®	43
Cincinnati®	19	Niigata®	48
Directed Light®	22	NTC®/Beyeler®	48
Electrox®	22	Precitec®	49
Fanuc®	23	Raytheon®	56
Gremada®	24	Rofin Sinar®	56
Huffman®	25	Shibuya®	56
HK Laser & Systems®	26	Spectra Physics®	56
Komatsu®	28	Salvagnini®	57
Lasag®	28	Strippit® /LVD®	58
Laser Lab®	29	Tanaka®	60
Laserdyne/ Prima®	30	Trumpf®	61
Laser Mechanisms®	32		

LASER



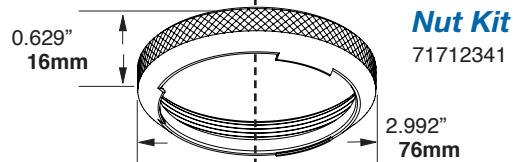
PTFE Holder

71712349



Cover Kit

71712342

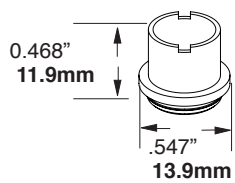
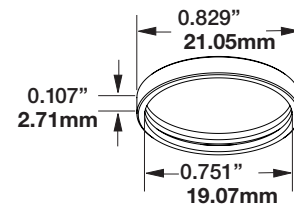


Nut Kit

71712341

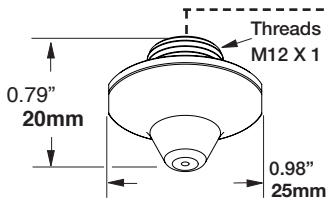
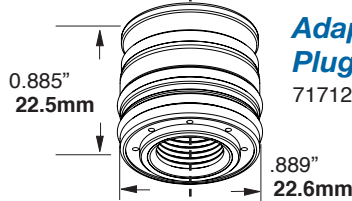
Teflon™ Ring

71712340



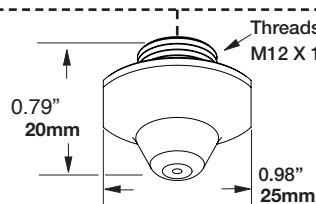
Adaptor Nozzle Holder Plug in (with insert)

71712350



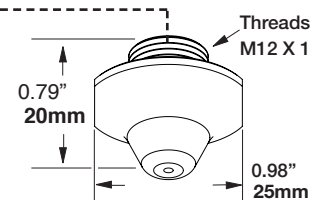
Nozzle Mushroom Single, Chrome

71369812-0.8	0.8mm
71369812-1.0	1.0mm
71369812	1.2mm
1572362-1.4	1.4mm
71369815	2.0mm
71369816	3.0mm
71369815-4.0	4.0mm
71502037	1.2mm (Eco Cut)
71501056	1.5mm
71501057	2.0mm
71501057-2.5	2.5mm
71501058	3.0mm
71570021	1.0mm (FE)
71570020	1.2mm
71570030	1.0mm (WACS FE)
71570023	1.2mm
71570030-2.0	2.0mm
71502043	2.0mm (Hard Chrome)



Nozzle Mushroom Double

1572361	1.2mm
71369813	1.4mm
71369813-2.0	2.0mm
71369813-2.5	2.5mm
71369813-3.5	3.5mm
71369817	4.0mm
71501059	2.5mm (E)
71501060	4.0mm
71570022	2.0mm (F)
71461029	1.4mm
71568227	1.4mm (FE)
71712335	2.5mm (WACS)
71501093	4.0mm (AL)
71341728	4.0mm (CleanCut)
71341729	7.0mm (Large Front - Hard Chrome)
71501092	7.0mm (Large Front)
71712692	7.0mm (Large Front - Silly Cut)

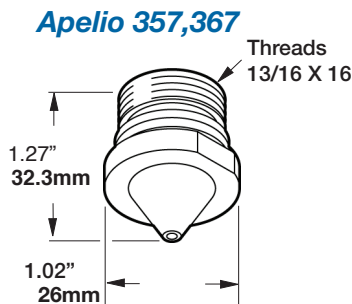
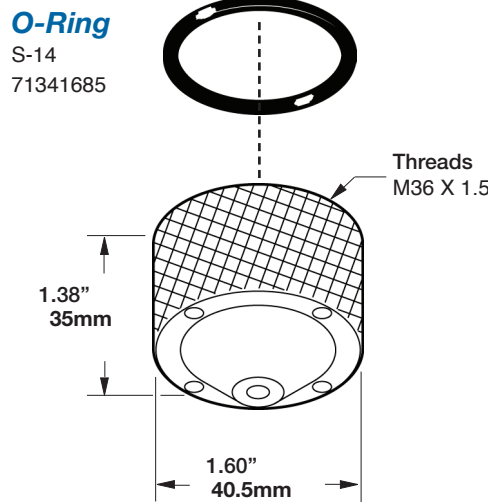
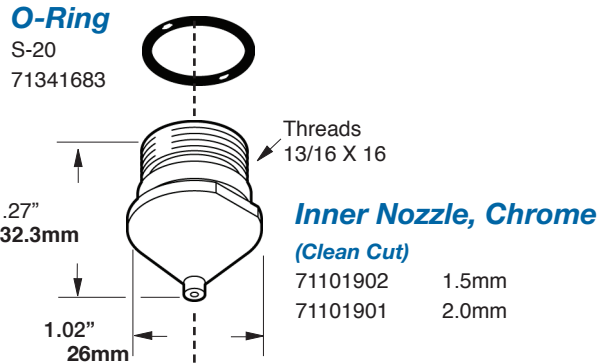


Nozzle Mushroom Double w/Teflon™ Ring

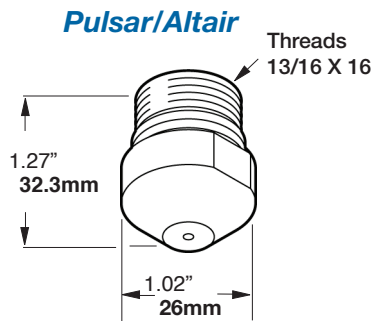
71461026	2.5mm
71461158	4.0mm

Lasmac 667/664 Water Assist

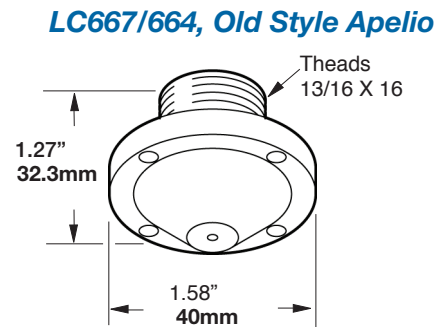
LASER



Nozzle, Chrome
(Clean Cut)
6506892-1.2 1.2mm
6506892 2.0mm

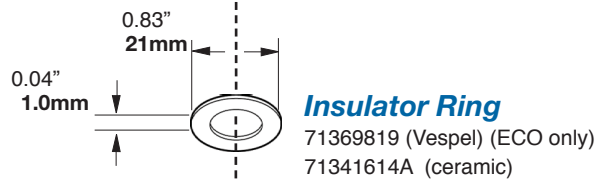
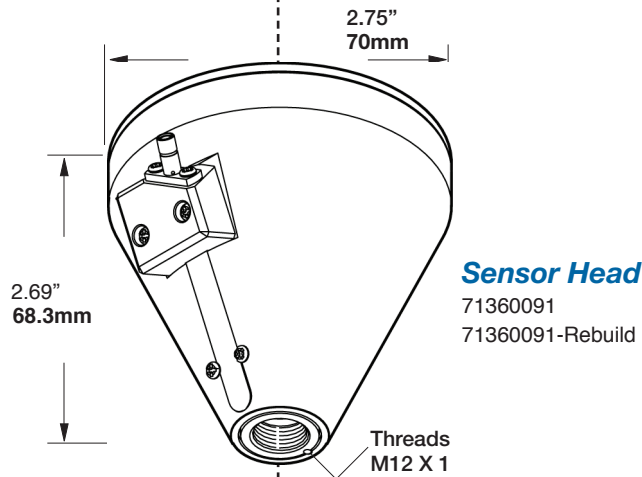
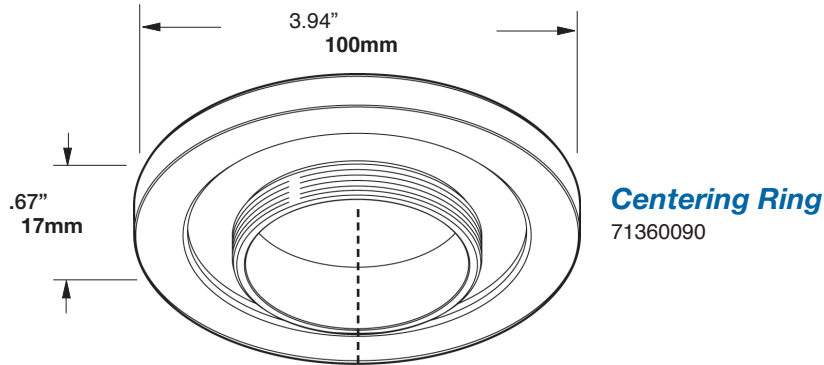


Inner Nozzle
62094003 2.0mm
62094004 3.0mm



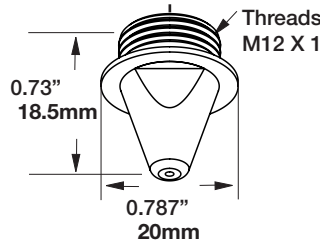
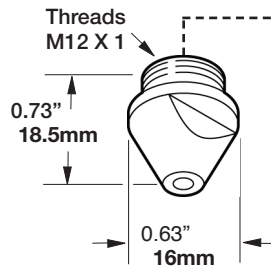
Nozzle
(Clean Cut)
71102000 1.5mm
71102000-1.75 1.75mm
71101999 2.0mm
71101999-2.5 2.5mm

Sensor System HS95



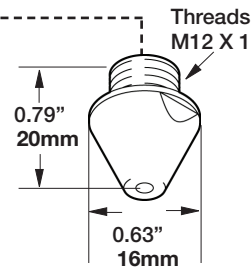
Ext. Nozzle, Chrome

1664545U-1.0	1.0mm
1664545U-1.2	1.2mm
1664545U-1.5	1.5mm
71341610	2.0mm
71341610-2.5	2.5mm
71360142	3.0mm



Nozzle, Chrome w/large flange

1664545U-1.0R
1664545U-1.5R



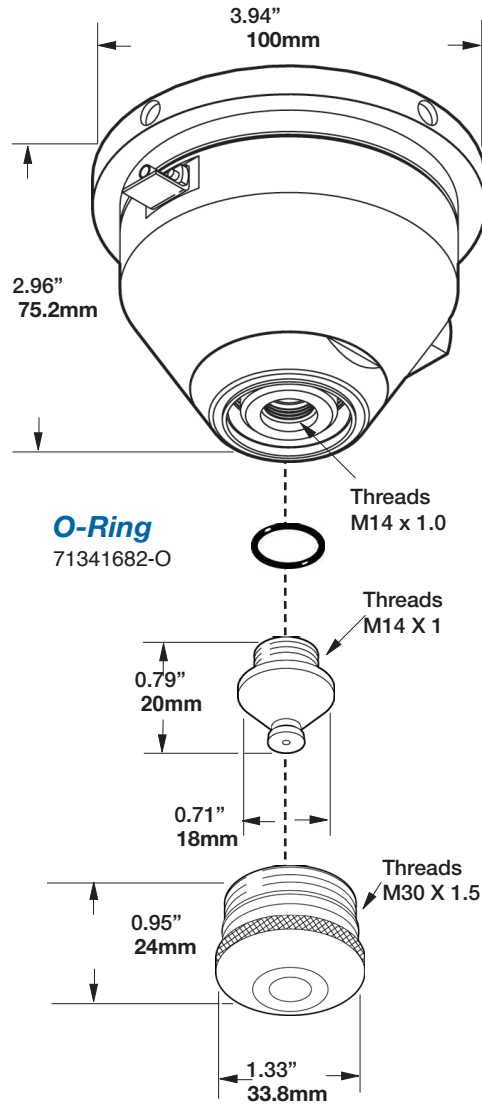
Nozzle Double

1300236	1.4mm
71369809	1.5mm
71341680-2.0	2.0mm
71341680	2.5mm
71341680-3.0	3.0mm
71341680-3.5	3.5mm
71341681	4.0mm

LASER

WACS Sensor System

LASER



**Sensor Head
WACS**

71341687- Rebuild

Nozzle Double WACS, Chrome

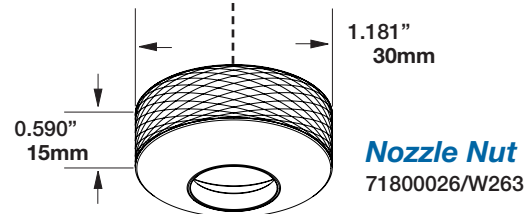
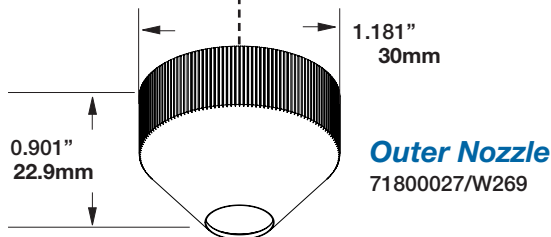
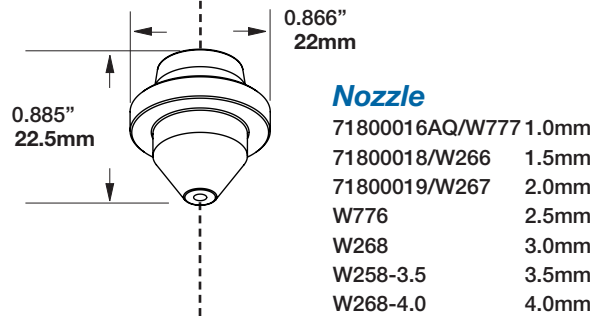
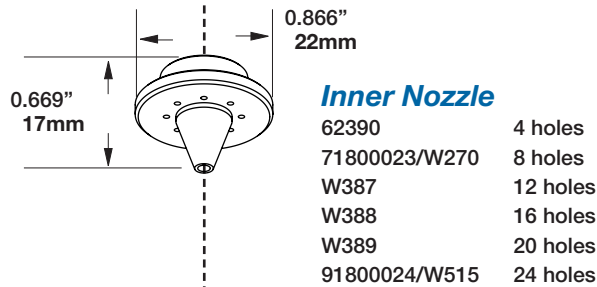
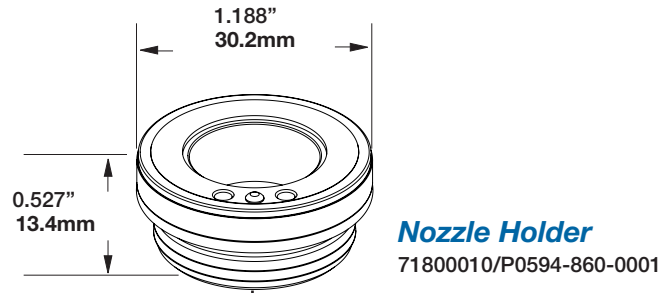
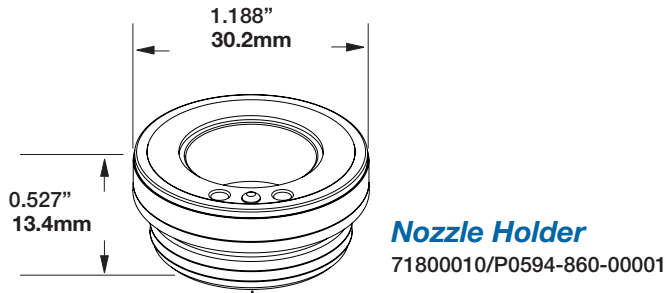
1300266	1.4mm LP
71341682-1.5	1.5mm
71341682-2.0	2.0mm
71341682	2.5mm
71341682-3.0	3.0mm
71341682-4.0	4.0mm

Nozzle Single WACS, Chrome

71366096	2.0mm
71298020	3.0mm

Outer Nozzle, Chrome

71341684



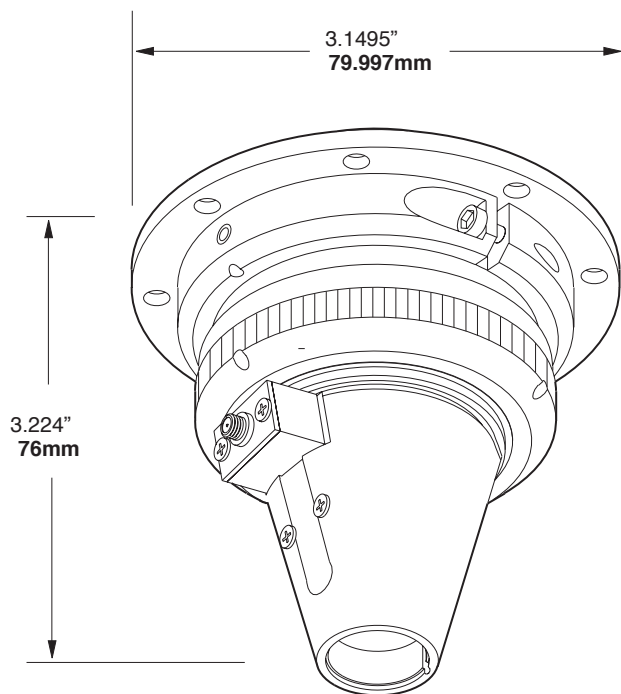
LASER

8

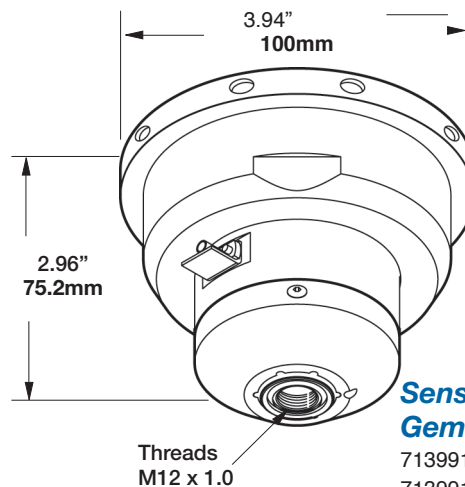
AMADA[®]

Sensor Heads

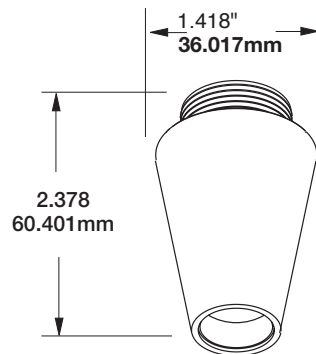
LASER



Sensor Head
71341634 5.0 HS-98

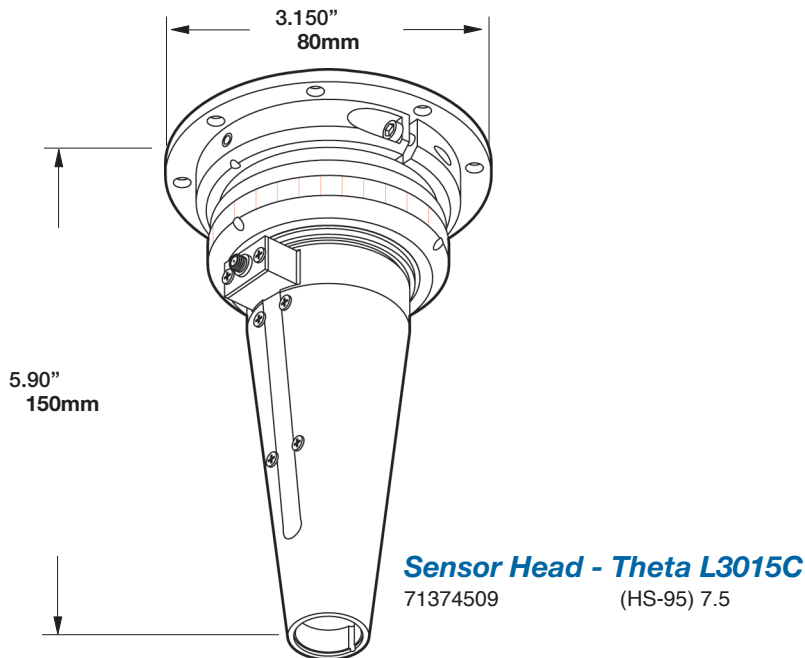
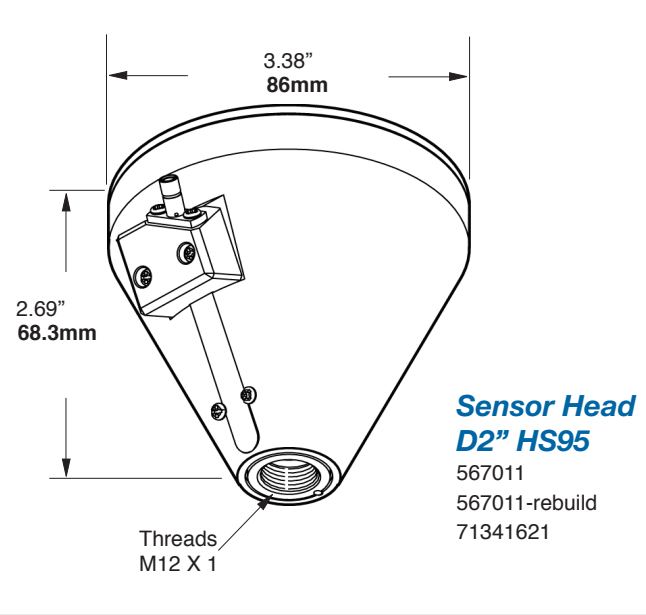
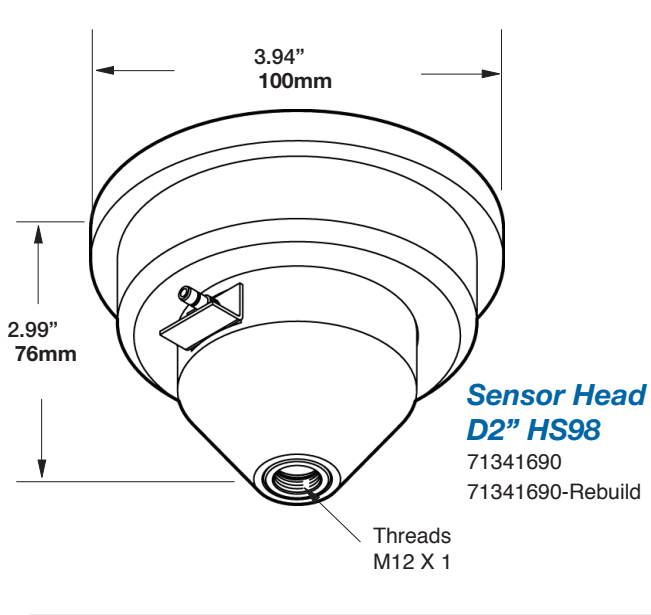


**Sensor Head (ECO)
Gemini**
71399107
71399107-Rebuild



Sensor Head
71341622

Sensor Heads

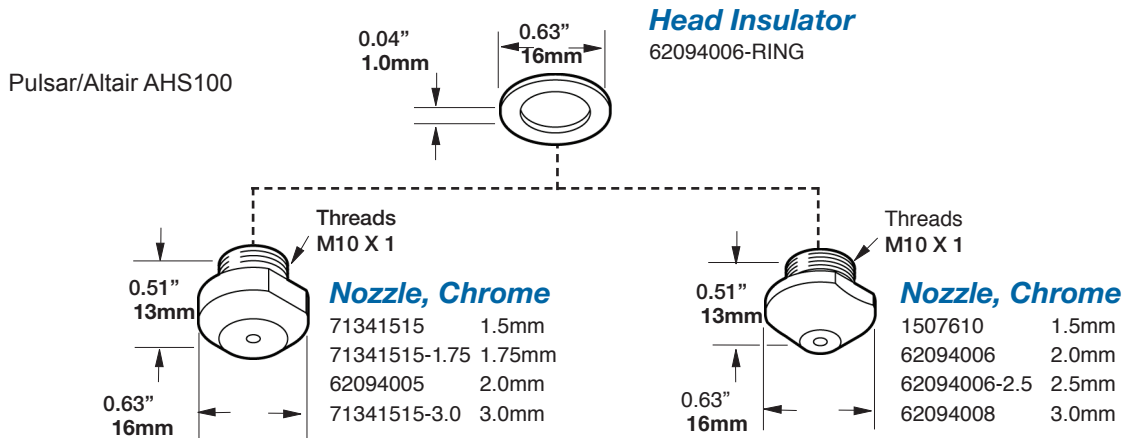


Parts Available but Not Shown	
71341630/71398965	Cable HS-95
71341690-6	O-Ring Kit for 71341690
71361393	Lens Gasket for 2" Mount
71512355	Lens Gasket for 2" Mount
71109613	Small Lens Gasket
71398293	Cable

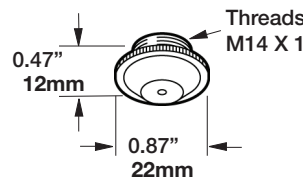
LASER

10

AMADA[®]



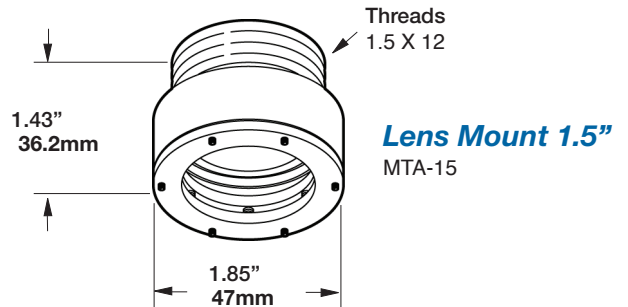
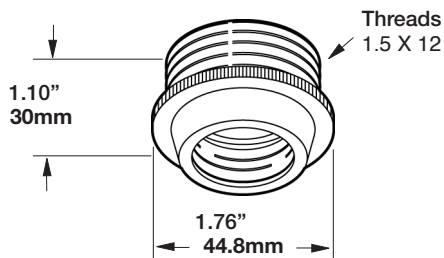
Cap. Nozzle
8249301 2.0mm



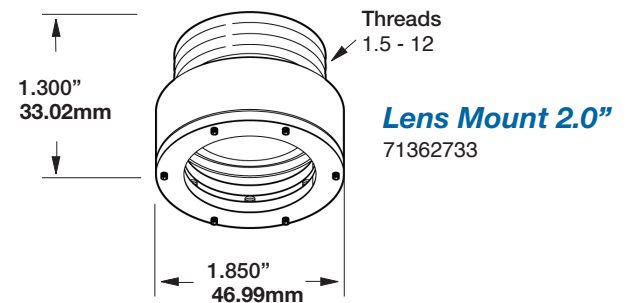
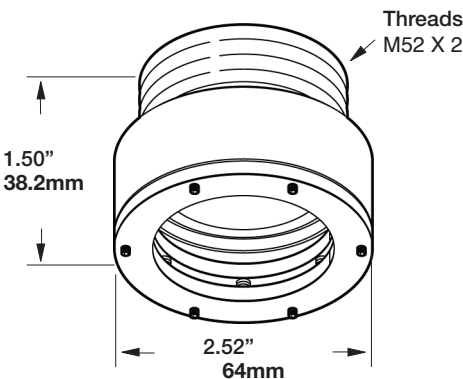
LASER

Lens Mounts

Lens Mount 1.1"
MTA-11



Lens Mount 2.0"
MTA-20



Parts Available but Not Shown

- 71501070 Focusing lens 7.5 focal length with mount
- 71501072 Focusing lens 5.0 Focal length with mount

American Torch Tip Company is in no way affiliated with the above-named original equipment manufacturer(s) ("OEM"). References to the above-named machines, torches, and numbers are for your reference only. Most parts advertised for sale are made by or for American Torch Tip, and other parts as indicated, are original parts manufactured by above-named OEM and are simply being re-sold by American Torch Tip. Footnotes: * = OEM; # = American Torch Tip is licensed to make and sell this part by named manufacturer; ATTC and ATT suffix = This part is an original American Torch Tip design and is not manufactured identical to the OEM design; © indicates a registered trademark, trade name, or product name of the above-named company. PHD®, PHDX™, Lightning®, Waltec™, Integra™, Lasertec Laser Division of American Torch Tip®, Multi-Use™ and ProMix™ are trademarks owned by American Torch Tip Company. © Copyright 2021, American Torch Tip Company.

OPTICS FOR AMADA® LASERS
Focusing Lenses

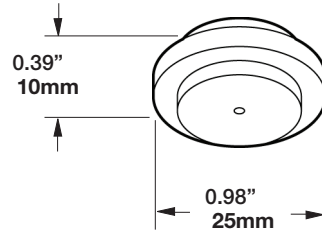
P/N	Lasertec P/N	Material	Diameter	Focal Length	Edge Thickness
81140186	ZC20750380	ZnSe	2.0"	7.5"	.390"
81140190	ZC11250160	ZnSe	1.1"	2.5"	.160"
81140221	ZC15375300	ZnSe	1.5"	3.75"	.300"
81140225	ZC11375160	ZnSe	1.1"	3.75"	.160"
81140305	ZC11500160	ZnSe	1.1"	5.0"	.160"
81140306	ZC15500300	ZnSe	1.5"	5.0"	.300"
81140307	ZC20500380	ZnSe	2.0"	5.0"	.380"
81140389	ZC11750160	ZnSe	1.1"	7.5"	.160"
81140400	ZC15750300	ZnSe	1.5"	7.5"	.300"

Protective Windows

P/N	Material	Diameter	Edge Thickness
71570026	FS	Octagonal	1.5mm
71571308	FS	45mm	8mm

12

BEHRENS[®]



Nozzle

L60	0.8mm
L51	1.0mm
L52	1.2mm
L53	1.5mm
L53-2.0	2.0mm

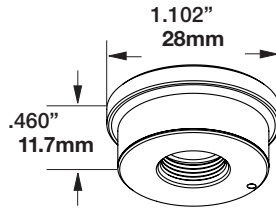
LASER

Nozzle

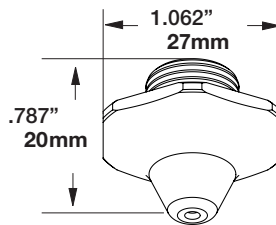
- 6930250845 1.0mm
- 6930250846 1.2mm
- 6930250847 1.5mm
- 6930250848 1.8mm
- 6930250849 2.0mm
- 6930250850 2.3mm
- 6930250851 2.5mm
- 6930250852 3.0mm
- 6930250853 3.5mm
- 6930250854 4.0mm

Nozzle - Chrome

- 6930250800 1.0mm
- 6930250801 1.2mm
- 6930250802 1.5mm
- 6930250803 1.8mm
- 6930250804 2.0mm
- 6930250805 2.3mm
- 6930250806 2.5mm
- 6930250807 3.0mm
- 6930250808 3.5mm
- 6930250809 4.0mm



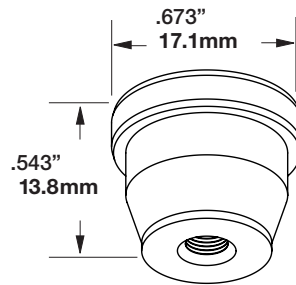
Nozzle Holder
6930003224



Double Nozzle - Chrome

- 6930250810 1.0mm
- 6930250811 1.2mm
- 6930250812 1.5mm
- 6930250813 1.8mm
- 6930250814 2.0mm
- 6930250815 2.3mm
- 6930250816 2.5mm
- 6930250817 3.0mm
- 6930250818 3.5mm

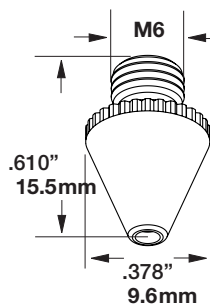
LASER



Nozzle Holder
PO494-752-00001

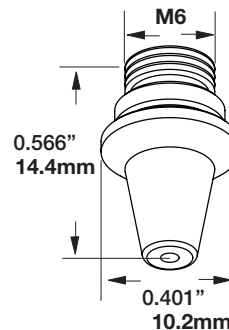
Double Nozzle

- 6930250857 1.0mm
- 6930250858 1.2mm
- 6930250837 1.5mm
- 6930250859 1.8mm
- 6930250838 2.0mm
- 6930250860 2.5mm
- 6930250861 3.0mm



Nozzle

- 6930250031 1.0mm
- 6930250032 1.2mm
- 6930250033 1.5mm
- 6930250034 1.8mm
- 6930250035 2.0mm
- 6930250043 2.3mm
- 6930250036 2.5mm
- 6930250044 3.0mm



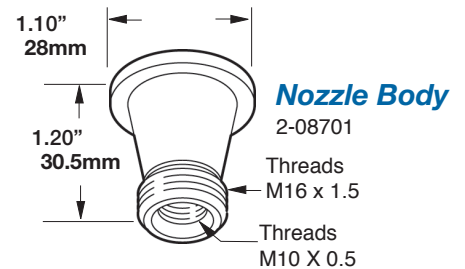
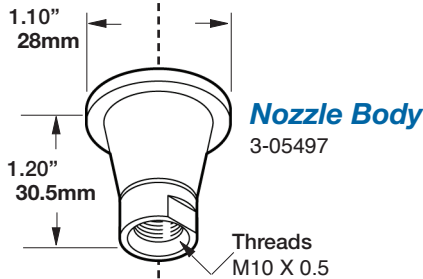
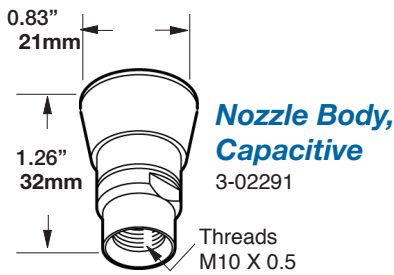
Nozzle

- 455054 1.0mm
- 455044 1.2mm
- 455034 1.5mm
- 455024 1.8mm
- 455014 2.0mm
- C50762A 2.5mm

BYSTRONIC[®] - FIBER

Bystar/Bysprint

LASER

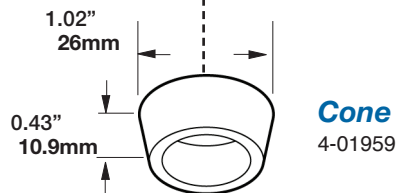


Nozzle Low Pressure, Capacitive

*3-04273	0.8mm	K08
3-01905	1.0mm	K10
3-01906	1.25mm	K12
3-01907	1.5mm	K15
3-01908	1.75mm	K17
3-01909	2.0mm	K20
3-04274	2.5mm	K25

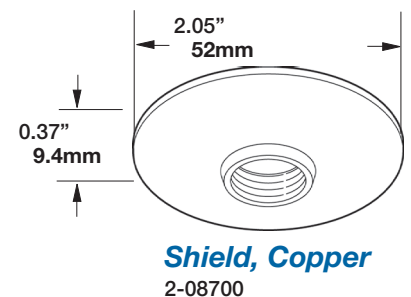
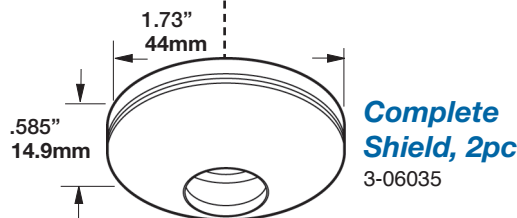
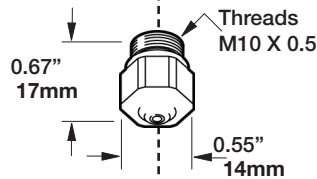
Nozzle High Pressure, Capacitive

3-04277	0.8mm	HK08
3-01910	1.0mm	HK10
3-01911	1.25mm	HK12
3-01912	1.5mm	HK15
3-01913	1.75mm	HK17
3-01914	2.0mm	HK20
3-01915	2.5mm	HK25
3-06112	3.0mm	HK30
3-06112-3.5	3.5mm	HK35

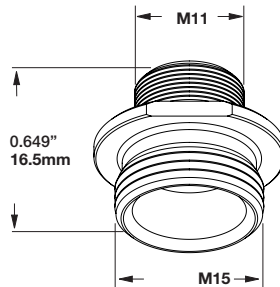


Nozzle, Double - Chrome

Part #	Size	
3-01658	1.0mm	NK10
3-16059	1.25mm	NK12
3-16060	1.5mm	NK15
3-14317	1.75mm	NK17
3-14318	2.0mm	NK20
3-14319	2.5mm	NK25
3-16061	3.0mm	NK30



* Available as a shower nozzle (3-04273-S)

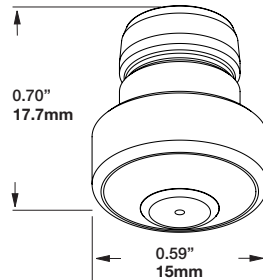


Breakaway

10075057

Quick Release Nozzle

Part #	Size	
10035266	1.0mm	HK10
10035267	1.2mm	HK12
10035268	1.5mm	HK15
10035269	1.7mm	HK17
10035270	2.0mm	HK20
10035271	2.5mm	HK25
10035272	3.0mm	HK30
10049744	3.5mm	HK35



Quick Release Double Nozzle

Part #	Size	
10049747	1.0mm Double	NK1015
10035275	1.2mm Double	NK1215
10035278	1.5mm Double	NK1515
10035290	1.7mm Double	NK1715
10035292	2.0mm Double	NK2015
10035294	2.5mm Double	NK2515
10035296	2.5mm Double W/ 2.0 Inner	NK2520
10035298	3.0mm Double W/ 1.7 Inner	NK3017
10035301	3.0mm Double	NK3020
10035302	3.5mm Double	NK3530

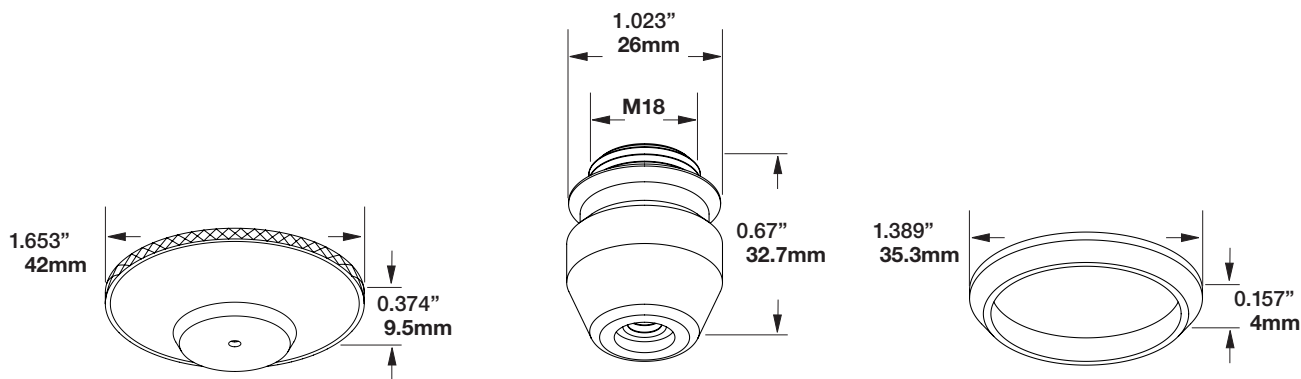
LASER

Parts Available but Not Shown

Part #	Description	Size
10045746	Fused Silica Protective Window	36.0mm x 5.0mm

16

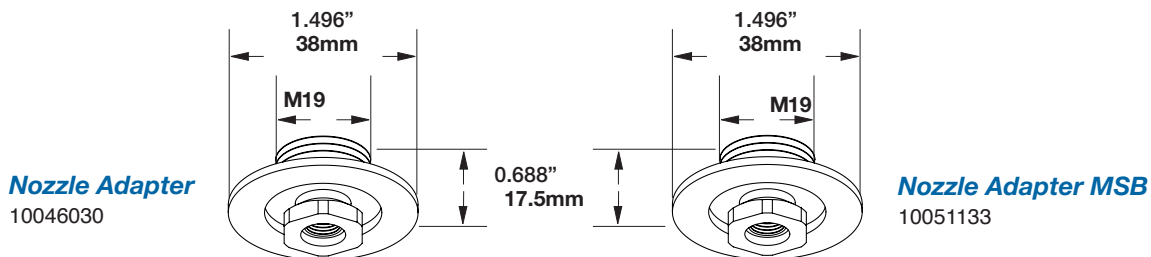
BYSTRONIC[®]



CL Nut
BY310-0398

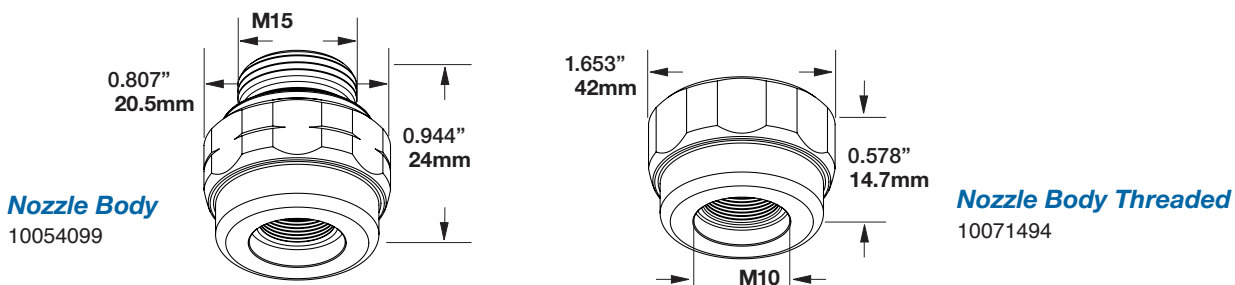
Nozzle Holder
10034061

Isolator Ring, ceramic
10046025



Nozzle Adapter
10046030

Nozzle Adapter MSB
10051133



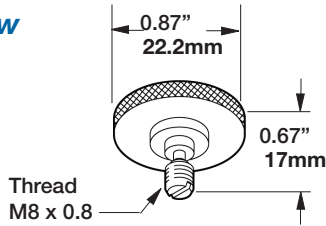
Nozzle Body
10054099

Nozzle Body Threaded
10071494

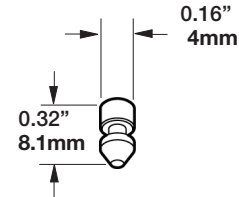
LASER

Byspeed and Spare Parts

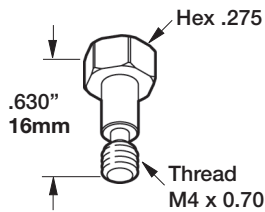
Knurled Screw
4-03136



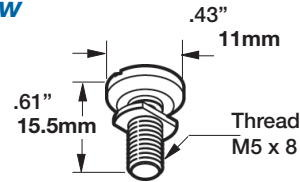
Pin
4-03137



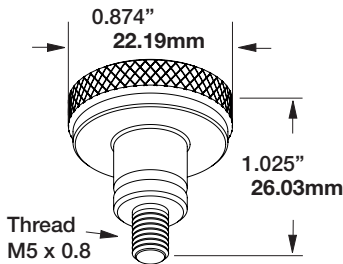
Knurled Screw
4-00324



Knurled Screw
3-09001

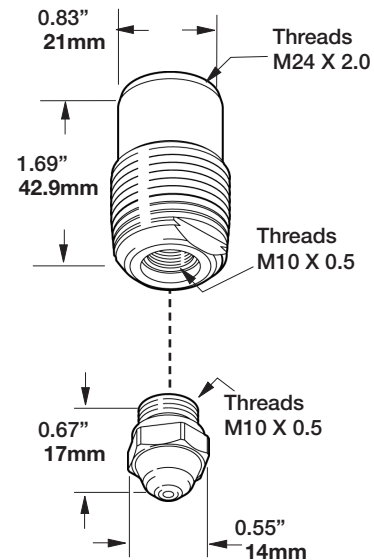


Knurled Screw
4-04976

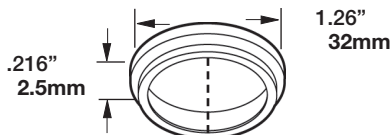


Nozzle Body
3-00407

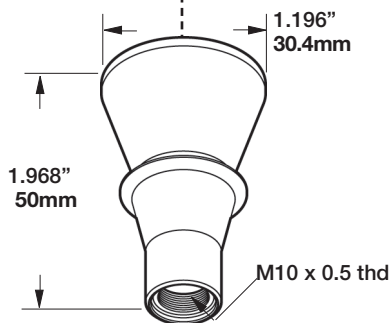
Tactile



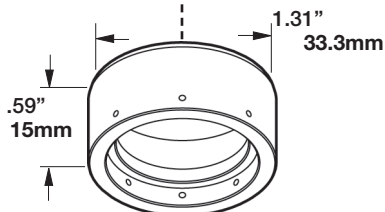
Insulating Ring
3-13113



Nozzle Body - Byspeed
2-10837



Insulating Ring
3-13422



Nozzle Low Pressure

3-04271	0.8mm	08
3-01894	1.0mm	10
3-01895	1.25mm	12
3-01896	1.5mm	15
3-01897	1.75mm	17
3-01898	2.0mm	20
3-04272	2.5mm	25

Nozzle High Pressure

3-04275	0.8mm	H08
3-01899	1.0mm	H10
3-01900	1.25mm	H12
3-01901	1.5mm	H15
3-01902	1.75mm	H17
3-01903	2.0mm	H20
3-04276	2.5mm	H25

LASER

American Torch Tip Company is in no way affiliated with the above-named original equipment manufacturer(s) ("OEM"). References to the above-named machines, torches, and numbers are for your reference only. Most parts advertised for sale are made by or for American Torch Tip, and other parts as indicated, are original parts manufactured by above-named OEM and are simply being re-sold by American Torch Tip. Footnotes: * = OEM; # = American Torch Tip is licensed to make and sell this part by named manufacturer; ATTC and ATT suffix = This part is an original American Torch Tip design and is not manufactured identical to the OEM design; © indicates a registered trademark, trade name, or product name of the above-named company. PHD®, PHDX™, Lightning®, Waltec™, Integra™, Lasertec Laser Division of American Torch Tip®, Multi-Use™ and ProMix™ are trademarks owned by American Torch Tip Company. © Copyright 2021, American Torch Tip Company.

18

BYSTRONIC®

OPTICS FOR BYSTRONIC® LASERS

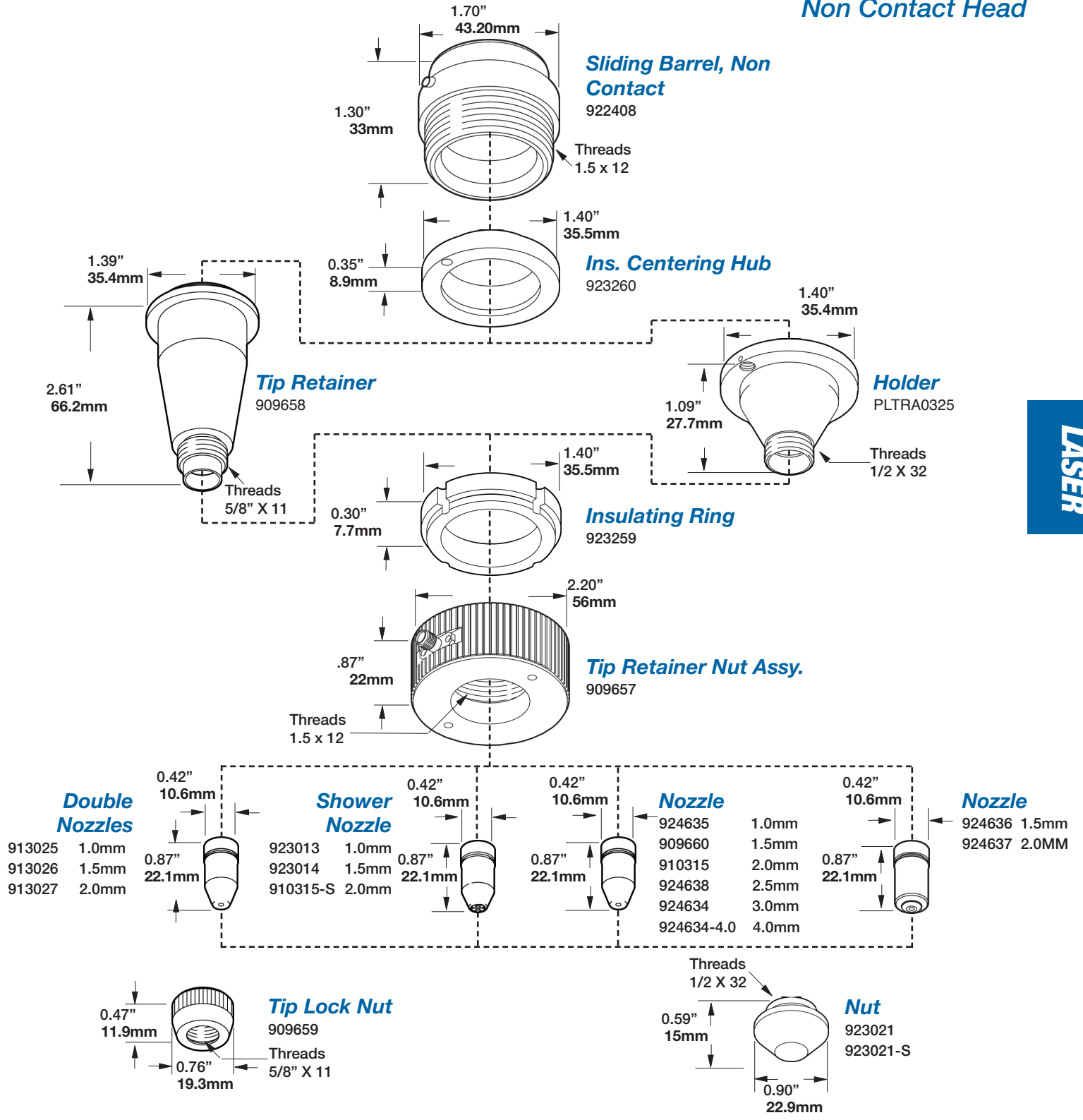
Focusing Lenses

P/N	Lasertec P/N	Material	Diameter	Focal Length	Edge Thickness
4-00184	ZM15250236	ZnSe	1.5"	2.5"	.236"
4-00185	ZM15375236	ZnSe	1.5"	3.75"	.236"
4-00186	ZM15500236	ZnSe	1.5"	5.0"	.236"
4-00187	ZM15750236	ZnSe	1.5"	7.5"	.236"
4-05094	ZM15500350	ZnSe	1.5"	5.0"	.354"
4-05095	ZM15750350	ZnSe	1.5"	7.5"	.354"

Protective Windows

P/N	Material	Diameter	Edge Thickness
10045746	FS	36mm	5mm

Non Contact Head



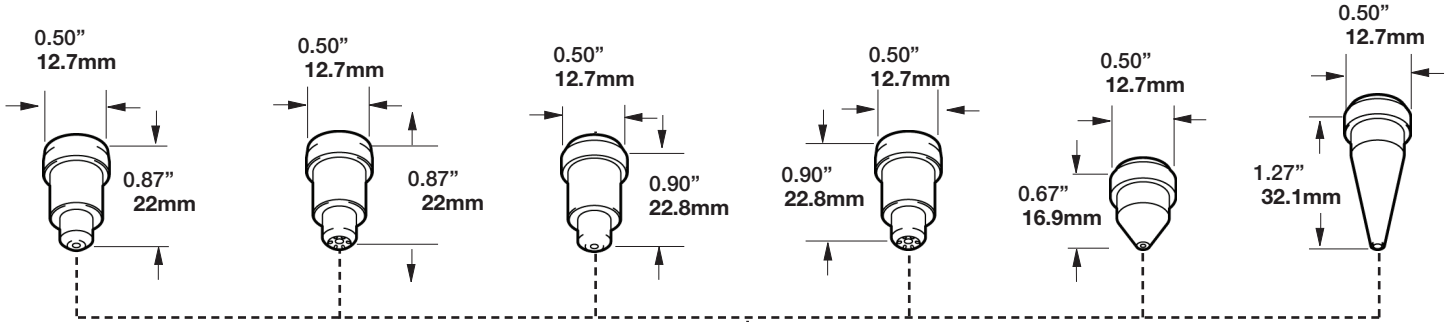
LASER

American Torch Tip Company is in no way affiliated with the above-named original equipment manufacturer(s) ("OEM"). References to the above-named machines, torches, and numbers are for your reference only. Most parts advertised for sale are made by or for American Torch Tip, and other parts as indicated, are original parts manufactured by above-named OEM and are simply being re-sold by American Torch Tip. Footnotes: * = OEM; # = American Torch Tip is licensed to make and sell this part by named manufacturer; ATTC and ATT suffix = This part is an original American Torch Tip design and is not manufactured identical to the OEM design; © indicates a registered trademark, trade name, or product name of the above-named company. PHD®, PHDX™, Lightning®, Waltec™, Integra™, Lasertec Laser Division of American Torch Tip®, Multi-Use™ and ProMix™ are trademarks owned by American Torch Tip Company. © Copyright 2021, American Torch Tip Company.

20

CINCINNATI[®]

Contact Head



Standard Nozzle

907469	1.0mm
907470	1.5mm
907470-1.8	1.8mm
920006	2.0mm
920006-2.5	2.5mm

Shower Nozzle

907470-S

Elongated Nozzle

908090	1.5mm
908090-2.0	2.0mm

Shower Nozzle Long

908090-S

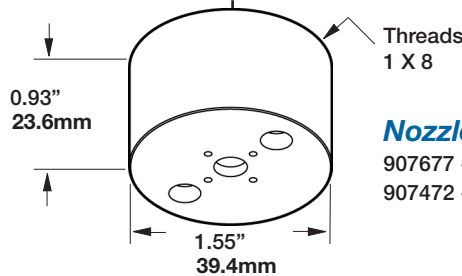
Nozzle

PLGJT0006 .040"

Nozzle

PLGJT0010 .060"

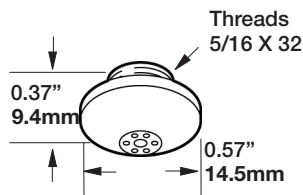
LASER



Nozzle Holder

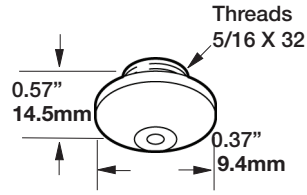
907677 - Includes Seal
907472 - Seal Only

CINCINNATI[®]
Non Contact



Shower Nozzle

922772



Nozzle

922464	.060"
922465	.080"
922770	.100"

OPTICS FOR CINCINNATI® LASERS

Focusing Lenses

P/N	Lasertec P/N	Material	Diameter	Focal Length	Edge Thickness
907557	ZC155018160	ZnSe	1.5"	5.018"	.160"
908085	ZC15513280	ZnSe	1.5"	5.18"	.280"
909484	ZC15763280	ZnSe	1.5"	7.63"	.280"
922376	ZC20769380	ZnSe	2.0"	7.69"	.380"
922377	ZC20519380	ZnSe	2.0"	5.19"	.380"

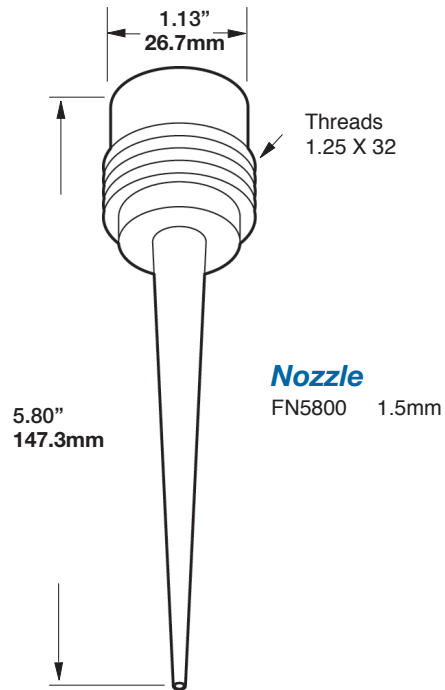
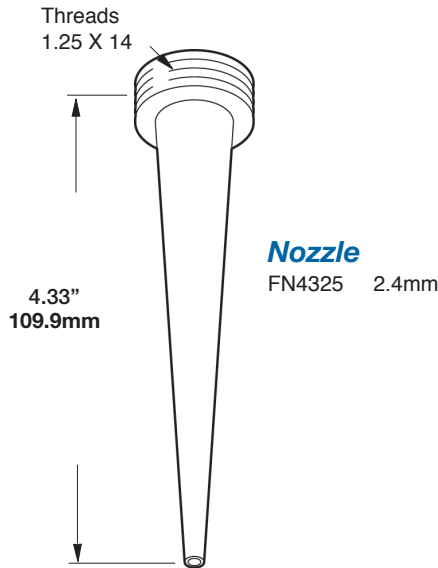
Protective Windows

P/N	Material	Diameter	Edge Thickness
913987	FS	38.1mm	1.6mm



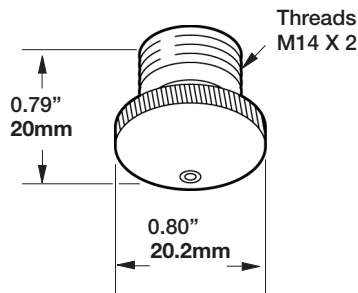
DIRECTED LIGHT[®] / ELECTROX

DIRECTED LIGHT[®]

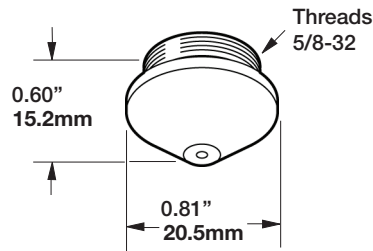


LASER

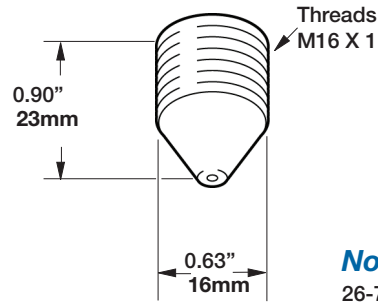
ELECTROX



Nozzle
ELE-AL 1.5 1.5mm



Nozzle
SPA01-B0001 1.0mm
SPA01-B0002 1.2mm
SPA01-B0003 1.5mm
SPA01-B0004 2.0mm
SPA01-B0031 2.5mm

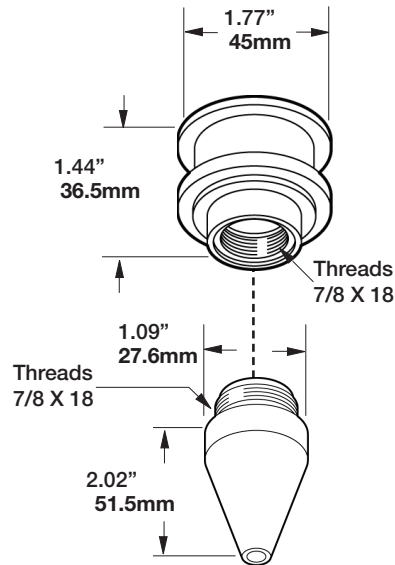


Nozzle
26-71270-60 1.5mm

24

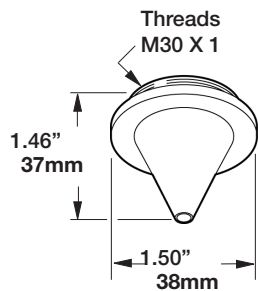
GREMADA[®]

LASER

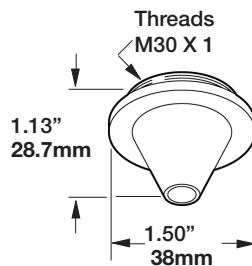


Adapter
100.703.4

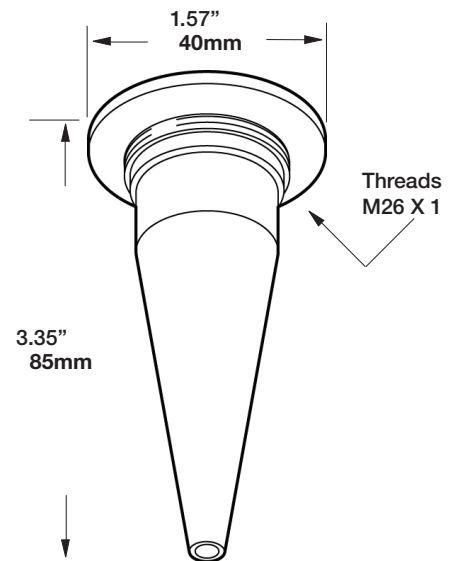
Adapter Tip
100.703.3 5mm



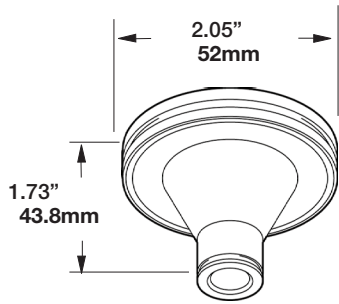
Powder Cone
100.703.2-2.5 2.5mm



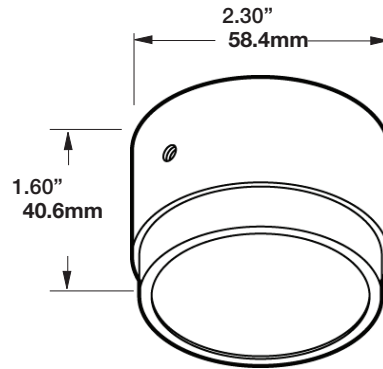
Nozzle
100.703.2 7.4mm



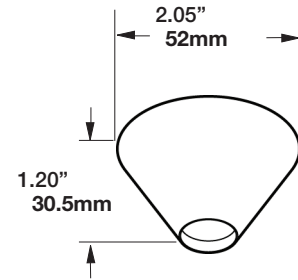
Beam Cone
100.703.5



Housing, Main Body
216-20720

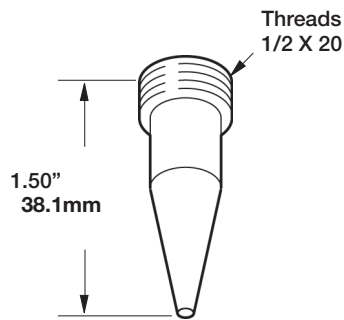


Housing Cover
216-20718

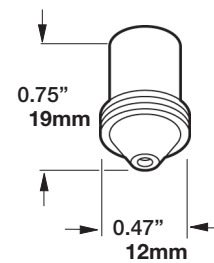


Housing, Water
216-20717

LASER



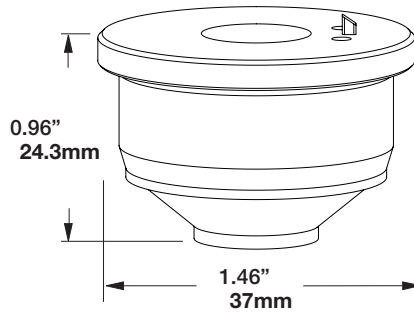
Nozzle, Inner
216-20719



Nozzle, Outer
216-20722 .080

Parts Available but Not Shown

- 216-20815 Nozzle, Outer Cladding
- 216-10606 Cladding Nozzle Assembly



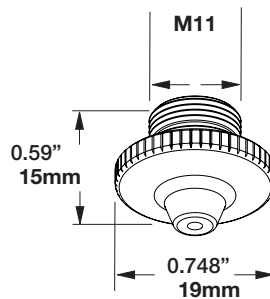
Nozzle Holder ceramic

HCH-S01201

LASER

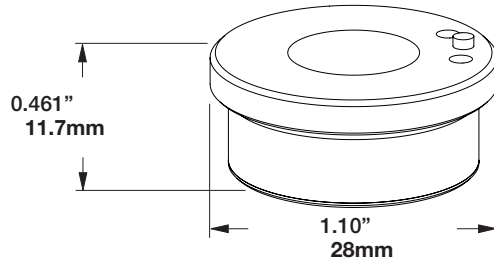
Nozzle N

MX-0989	1.0mm
MX-0990	1.2mm
MX-0991	1.5mm
MX-0993	1.5mm
MX-0992	2.0mm
MX-0994	2.5mm
MX-0995	3.0mm

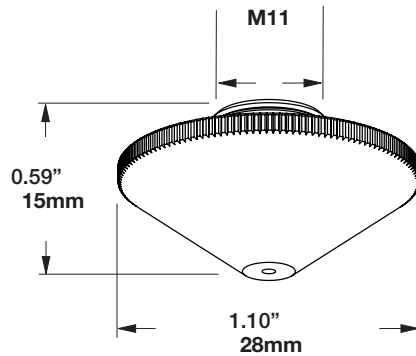


Nozzle Double N

HCH-TP1515	1.5mm
HCH-TP1520	2.0mm
HCH-TP1525	2.5mm
HCH-TP2030	3.0mm



Nozzle Holder ceramic
MX-0875



Nozzle HD

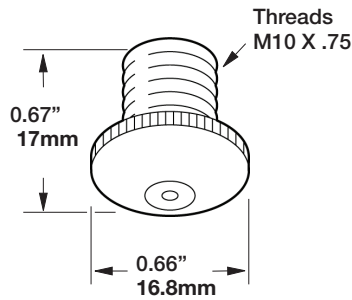
P0591-571-00010 / MX-0860	1.0mm
P0591-572-00012 / MX-0861	1.2mm
P0591-573-00015 / MX-0862	1.5mm
P0591-574-00018 / MX-0863	1.8mm
P0591-575-00020 / MX-0864	2.0mm
P0591-576-00025 / MX-0865	2.5mm

Nozzle Double

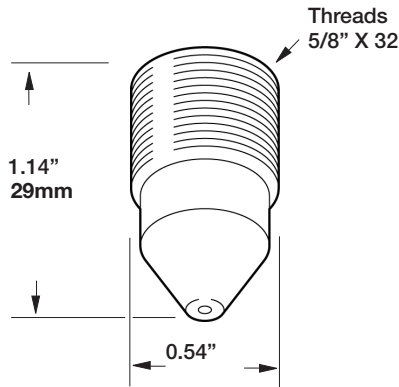
P0591-002-00010	1.0mm/inner	1.5mm
P0591-002-00012	1.2mm/inner	1.5mm
P0591-002-00015 / H03019	1.5mm/inner	1.5mm
P0591-002-00018 / H03021	1.8mm/inner	1.5mm
P0591-002-00020 / H03014	2.0mm/inner	1.5mm
P0591-002-00023 / H03017	2.5mm/inner	1.5mm
P0591-002-00025 / H03023	3.0mm/inner	1.5mm



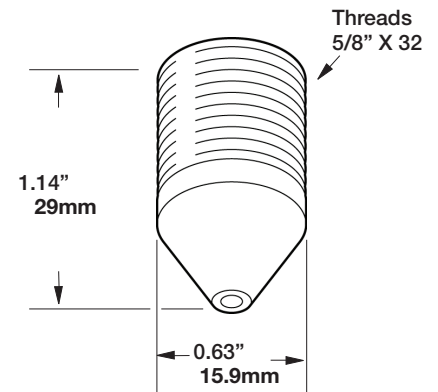
KOMATSU[®]



Nozzle
968-41-93-761 1.7mm



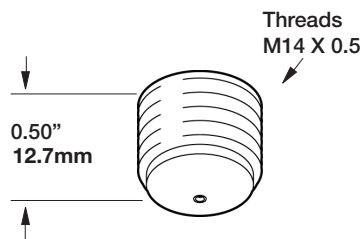
Nozzle Standard
968-41-57-812 1.4mm
968-41-57-812-1.6 1.6mm



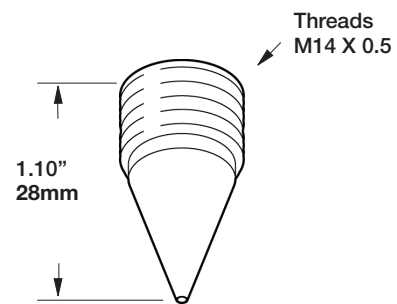
Nozzle Special
968-41-57-850 2.0mm

LASER

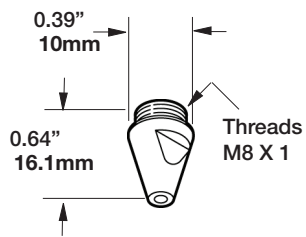
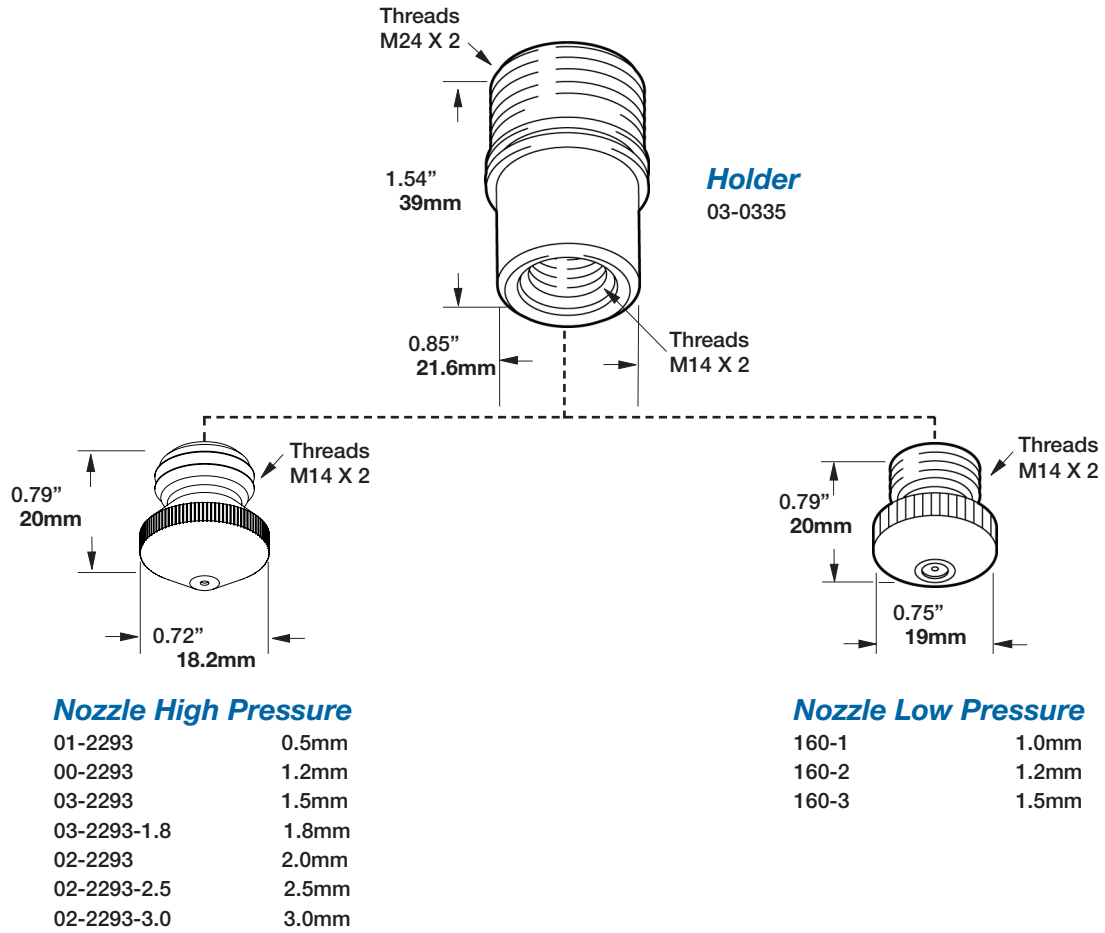
LASAG[®]



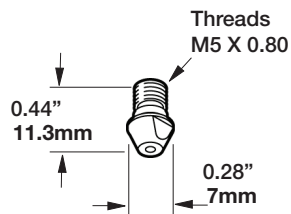
Nozzle Short
LASAG.SHORT 1.0mm



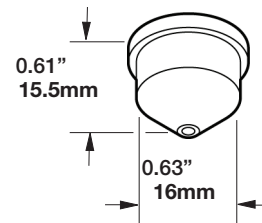
Nozzle Long
LASAG.LONG 1.0mm



Nozzle
03-0916 2.0mm

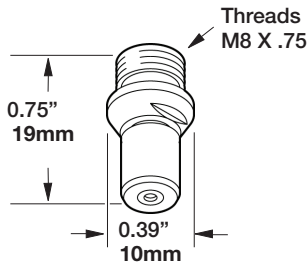


Nozzle
03-8358 1.5mm



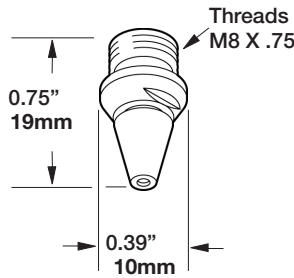
Nozzle

03-210T	1.0mm
03-8720	1.2mm
03-214T	1.4mm
03-215T	1.5mm
03-217T	1.7mm
03-8729	2.0mm
03-224T	2.4mm
03-225T	2.5mm
03-230T	3.0mm



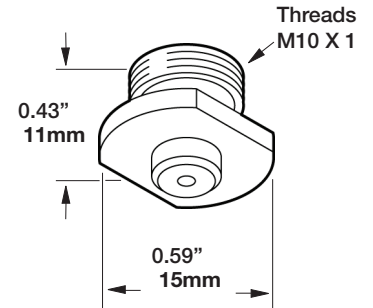
Nozzle

- 485.73.421 / 485.73.114C 1.5mm
- 485.73.422 / LW3.46.101A 2.0mm
- 485.73.423 2.5mm
- 485.73.424 3.0mm



Nozzle Tapered

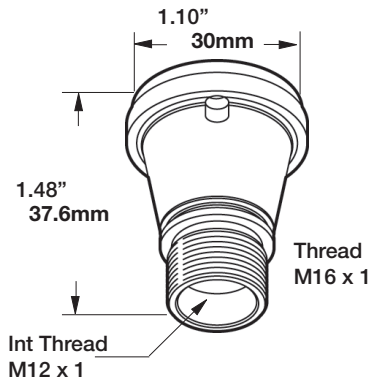
- 485.73.115A 1.5mm
- 485.73.116A 2.0mm



Nozzle

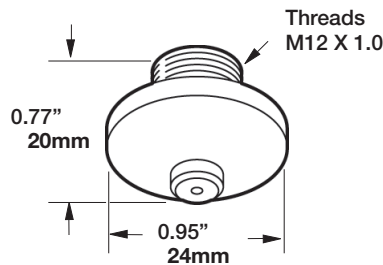
- 710.11.153 1.0mm
- 710.11.150 1.5mm
- 710.11.152 2.0mm
- 710.11.155 2.5mm
- 710.11.156 3.0mm

LASER



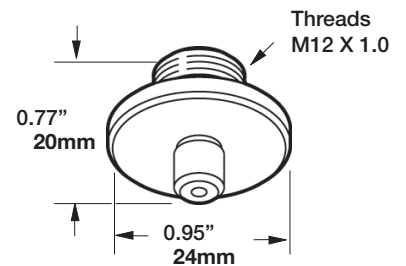
Ceramic Nozzle Holder Assy.

LW6.59.130A



Nozzle

- LW6.1E.111 1.5mm
- LW6.1E.111-1.75 1.75mm
- LW6.1E.112 2.0mm
- LW6.1E.113 2.5mm
- LW6.1E.114 3.0mm



Nozzle

- LW6.1G.600 1.5mm
- LW6.1G.601 2.0mm
- LW6.1G.602 2.5mm
- LW6.1G.603 3.0mm

OPTICS FOR LASERDYNE® / PRIMA® LASERS

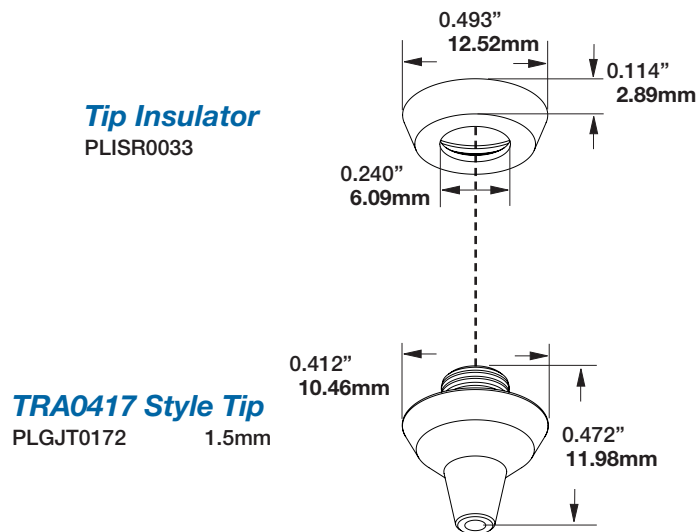
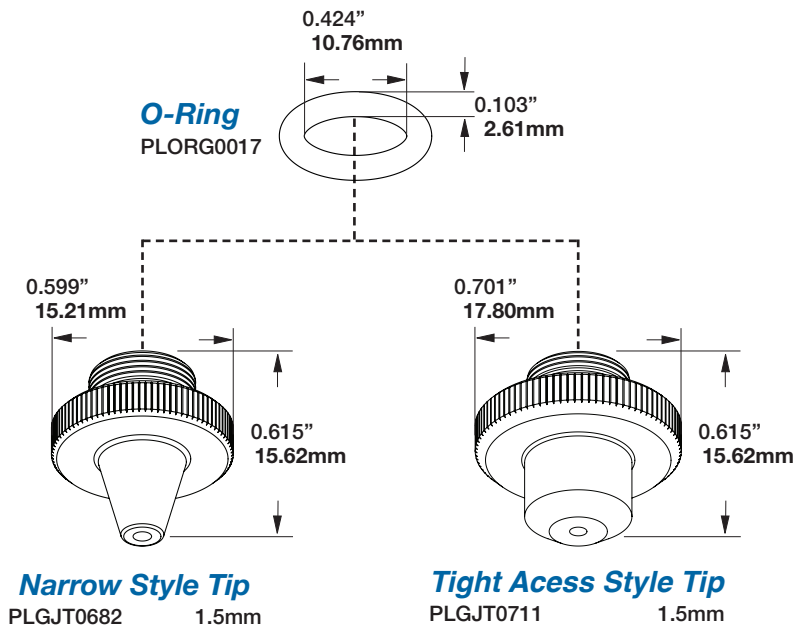
Focusing Lens

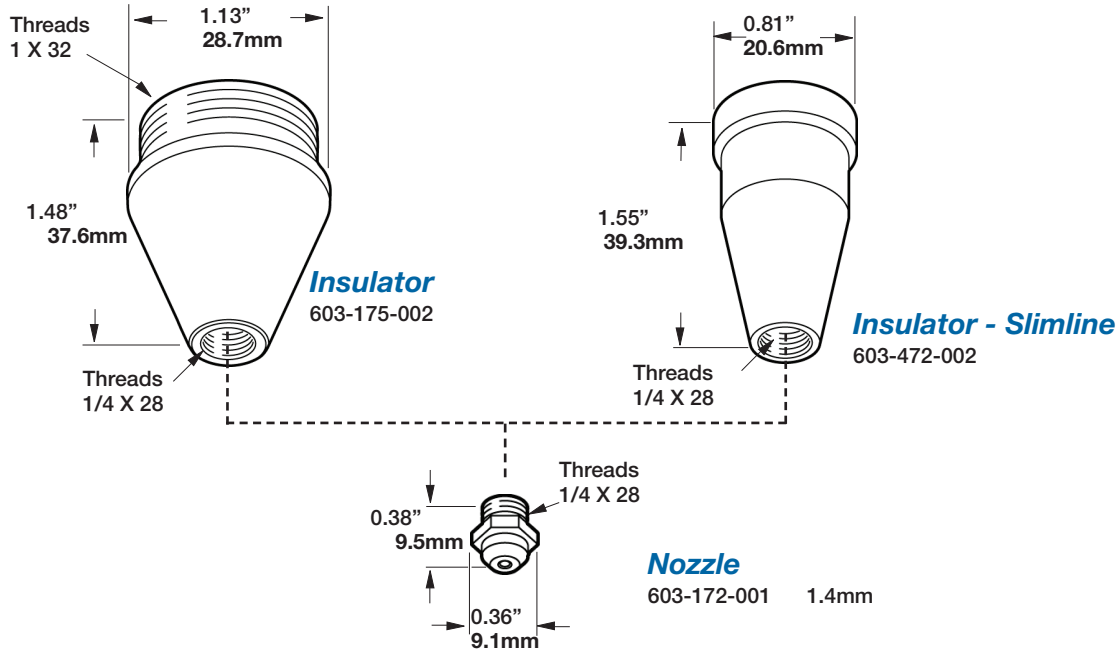
P/N	Lasertec P/N	Material	Diameter	Focal Length	Edge Thickness
834-319-001	ZC15250236	ZnSe	1.5"	2.5"	.236"
834-319-002	ZC15500236	ZnSe	1.5"	5.0"	.236"
834-319-003	ZC15750236	ZnSe	1.5"	7.5"	.236"
834-319-004	ZC15100236	ZnSe	1.5"	1.0"	.236"
834-319-009	ZC15375236	ZnSe	1.5"	3.75"	.236"
834-319-010	ZM15375236	ZnSe	1.5"	3.75"	.236"
834-319-011	ZC15500300	ZnSe	1.5"	5.0"	.300"
834-319-012	ZC15750300	ZnSe	1.5"	7.5"	.300"



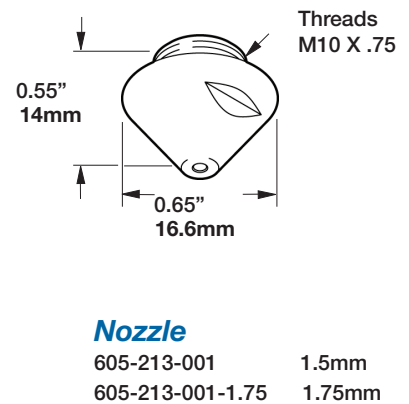
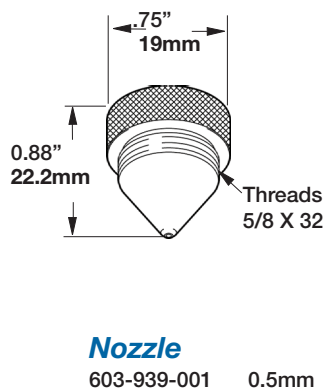
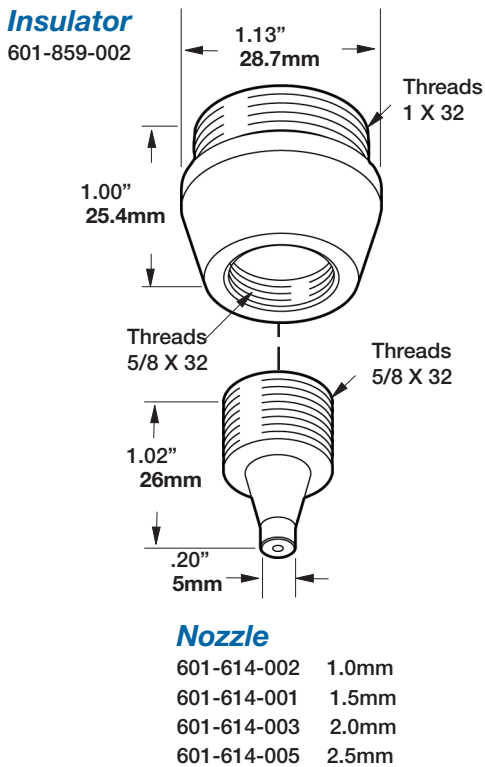
FiberCut™ ST

LASER



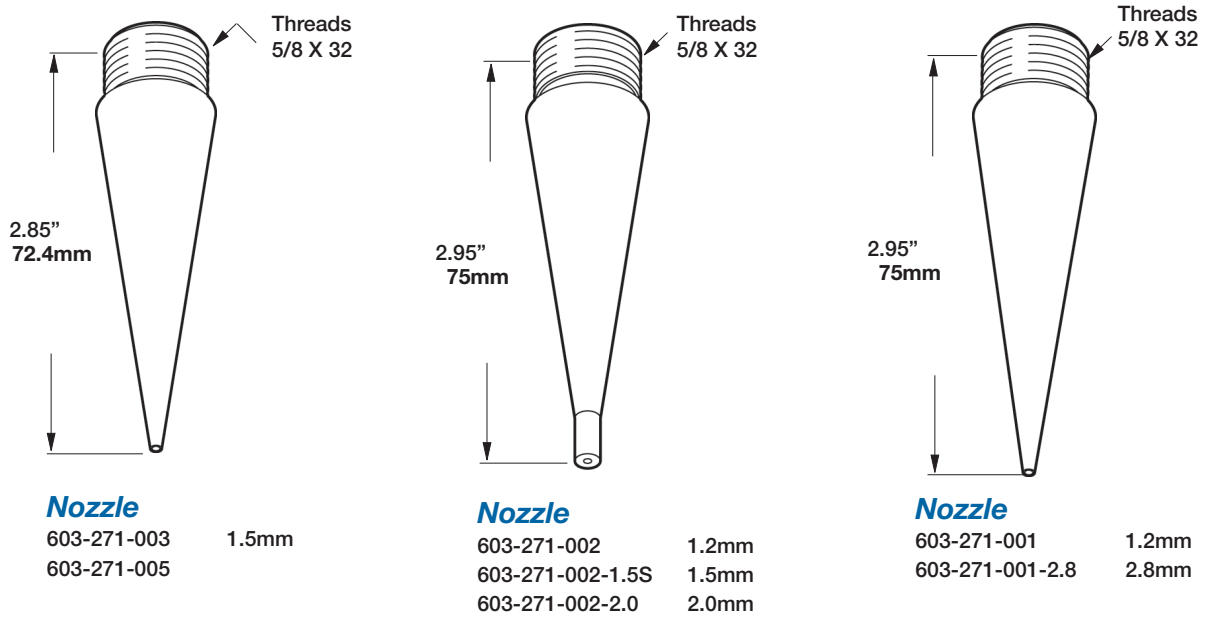


LASER



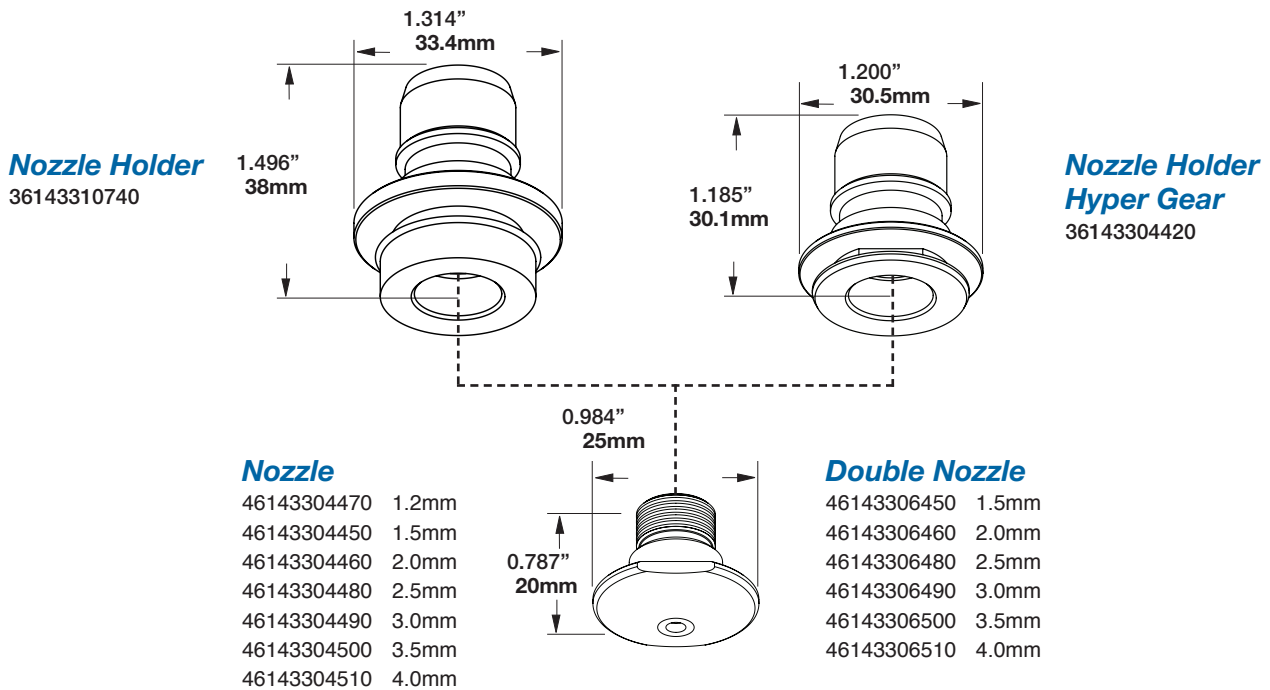
LUMONICS / MAZAK[®]

LUMONICS



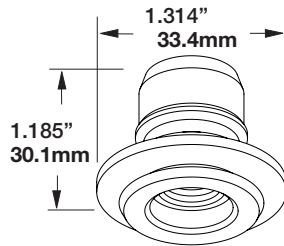
LASER

MAZAK[®]

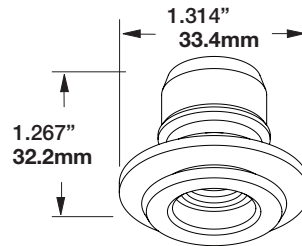


American Torch Tip Company is in no way affiliated with the above-named original equipment manufacturer(s) ("OEM"). References to the above-named machines, torches, and numbers are for your reference only. Most parts advertised for sale are made by or for American Torch Tip, and other parts as indicated, are original parts manufactured by above-named OEM and are simply being re-sold by American Torch Tip. Footnotes: * = OEM; # = American Torch Tip is licensed to make and sell this part by named manufacturer; ATTC and ATT suffix = This part is an original American Torch Tip design and is not manufactured identical to the OEM design; © indicates a registered trademark, trade name, or product name of the above-named company. PHD®, PHDX™, Lightning®, Waltec™, Integra™, Lasertec Laser Division of American Torch Tip®, Multi-Use™ and ProMix™ are trademarks owned by American Torch Tip Company. © Copyright 2021, American Torch Tip Company.

Nozzle Holder
36143310522

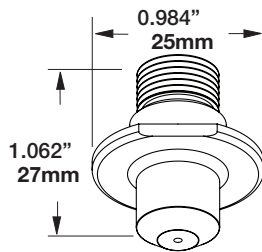


Nozzle Holder
36143310523



Nozzle Pencil

- 36143312220 1.2mm
- 36143312230 1.5mm
- 36143312240 2.0mm
- 36143312250 2.5mm
- 36143312260 3.0mm
- 36143312270 3.5mm
- 36143312280 4.0mm

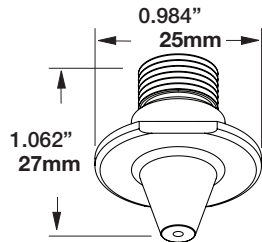


Nozzle Double Pencil

- | | |
|-------------------|-------------------------------|
| 36143312300 1.5mm | 06283301050 4.5mm/inner 1.2mm |
| 36143312310 1.8mm | 06283301200 5.0mm/inner 1.2mm |
| 36143312311 2.0mm | 06283301210 5.5mm/inner 1.2mm |
| 36143312320 2.5mm | 06283301840 5.5mm/inner 2.0mm |
| 36143312330 3.0mm | 06283302110 7.0mm/inner 1.8mm |
| 36143312340 3.5mm | Q6143300020 SUS 3.5mm |
| 36143312350 4.0mm | Q6143300030 SUS 4.0mm |
| | Q6143300040 SUS 4.5mm |

Nozzle Slim

- 46143310332 1.0mm
- 46143310341 1.2mm
- 46143310351 1.5mm
- 46143310361 2.0mm
- 46143310371 2.5mm
- 46143310381 3.0mm
- 46143310391 3.5mm
- 46143310401 4.0mm

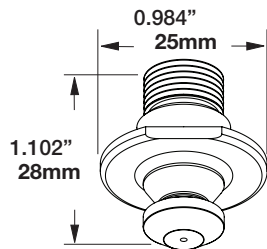


Nozzle Double Slim

- 36143311500 1.5mm
- 36143311510 2.0mm
- 36143311520 2.5mm
- 36143311530 3.0mm
- 36143311535 3.5mm
- 36143312390 4.0mm

Nozzle Pencil

- 06283301790 1.0mm HP
- 06283301800 1.2mm HP
- 06283301810 1.5mm HP

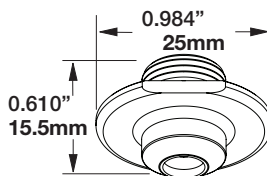


Nozzle Double Pencil

- 0628331820 1.5mm HP

Nozzle Double Smooth

- Q6283300030 6.0mm
- Q6283300020 7.5mm
- Q6283300010 9.5mm

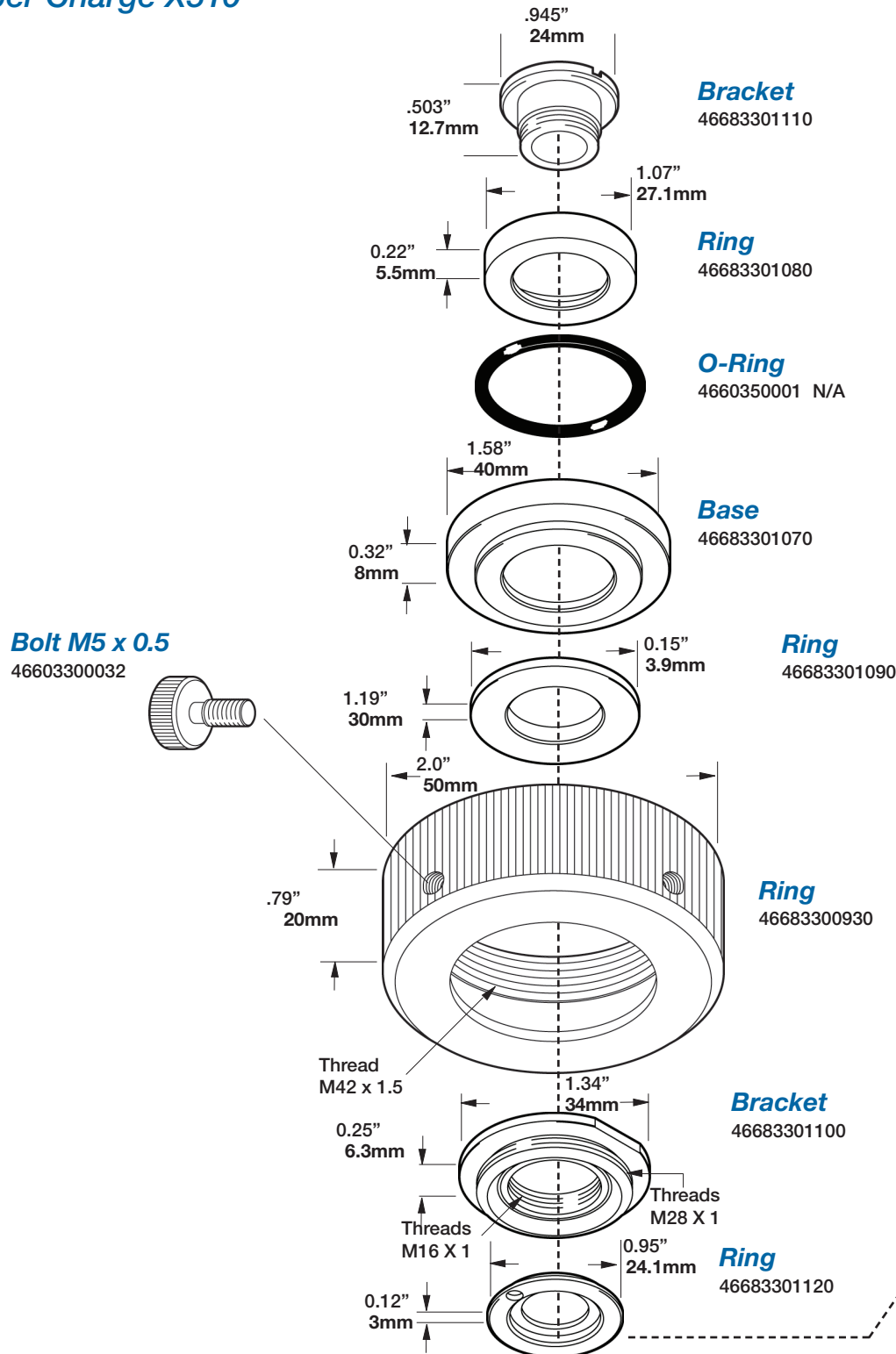


36

MAZAK[®]

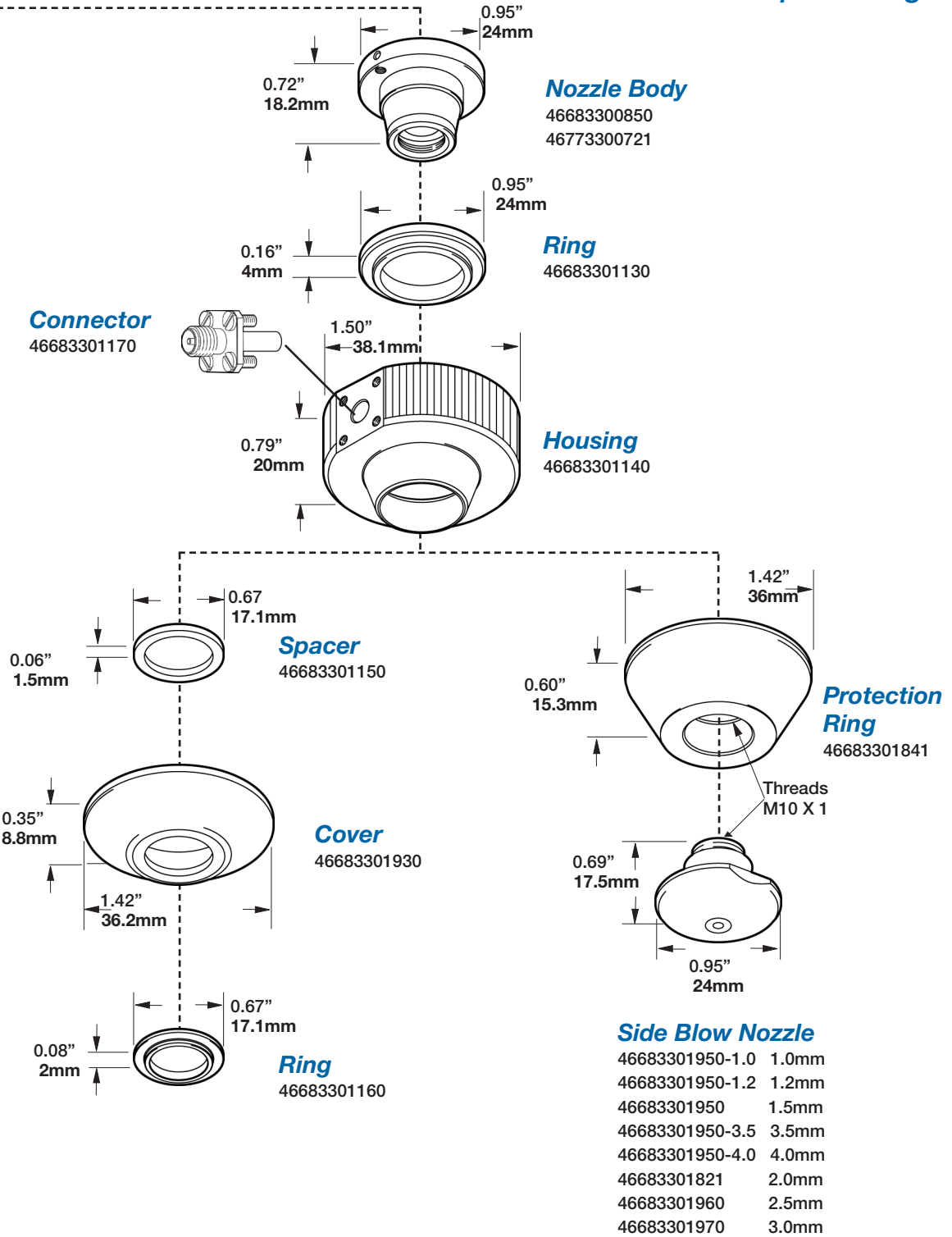
Super Charge X510

LASER



Continued on next page

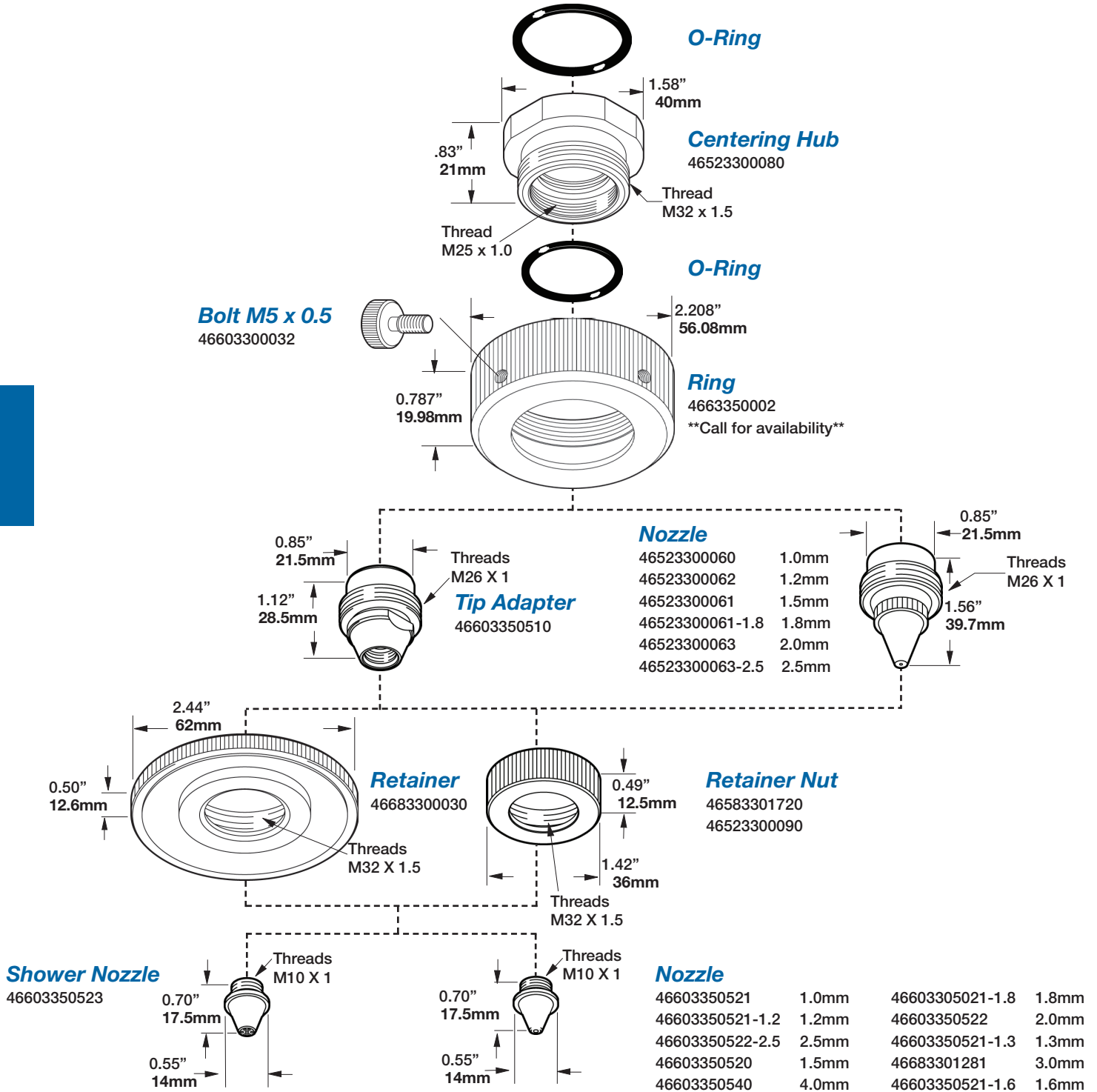
Super Charge X510



LASER

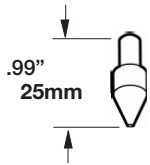
Turbo 10KW

LASER

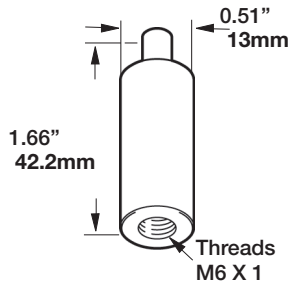


American Torch Tip Company is in no way affiliated with the above-named original equipment manufacturer(s) ("OEM"). References to the above-named machines, torches, and numbers are for your reference only. Most parts advertised for sale are made by or for American Torch Tip, and other parts as indicated, are original parts manufactured by above-named OEM and are simply being re-sold by American Torch Tip. Footnotes: * = OEM; # = American Torch Tip is licensed to make and sell this part by named manufacturer; ATTC and ATT suffix = This part is an original American Torch Tip design and is not manufactured identical to the OEM design; © indicates a registered trademark, trade name, or product name of the above-named company. PHD®, PHDX™, Lightning®, Waltec™, Integra™, Lasertec Laser Division of American Torch Tip®, Multi-Use™ and ProMix™ are trademarks owned by American Torch Tip Company. © Copyright 2021, American Torch Tip Company.

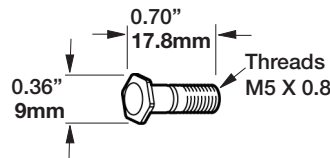
Table Pin
46600030013



Stylus Pin
46522300242

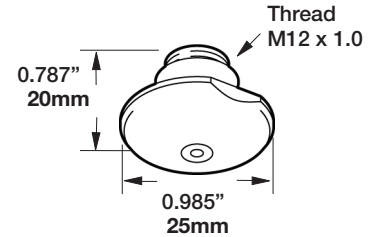


Shear Pin
46654801053

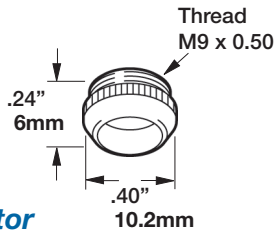


Nozzle

- 46143304450 1.5 46143304480 2.5
- 46143304460 2.0 46143304490 3.0
- 46143304470 1.2

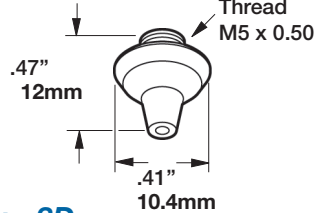


HNZ



Insulator
46713300320

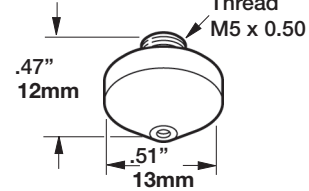
HNZ



Tip, Cu - 3D

- 46713300280 2.0mm
- 46713300410 1.2mm
- 46713300290 1.5mm
- 46713300430 3.0mm

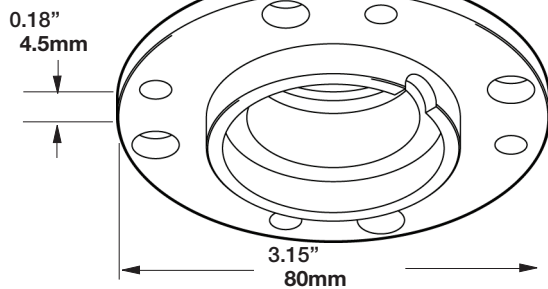
HNZ



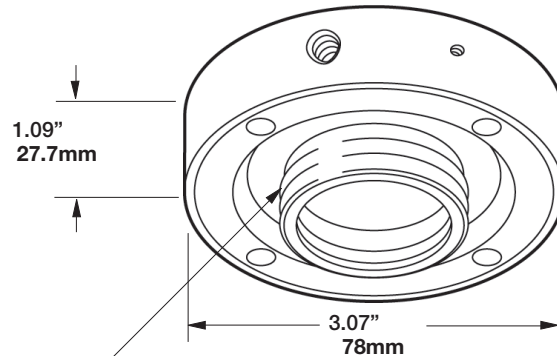
Tip, Cu - 2D

- 46713300300 2.0mm
- 46713300310 1.5mm
- 46713300440 3.0mm

LASER



Aluminum Base
36623300700



Base

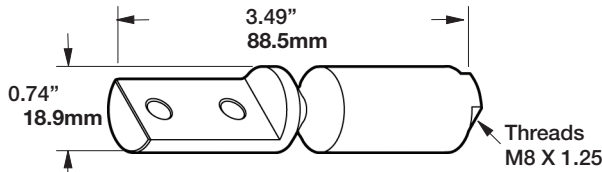
- 36564800714
- 36564801270

Not Shown

- 46683301980 Cable
- 56743300500-Rebuild Sensor Rebuild HNZ

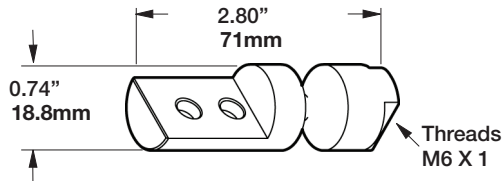
40

MAZAK®



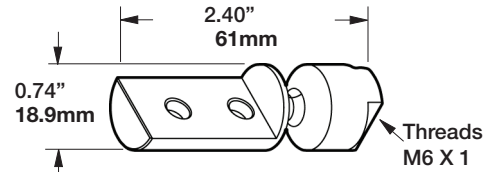
Break-Away Bar

36602300230 1.5KW
36602300550 2.0KW



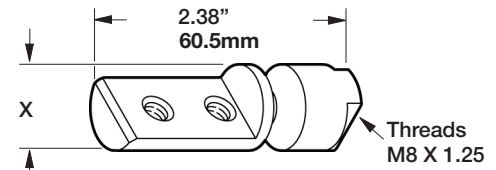
Break-Away Bar

46572301013



Break-Away Bar

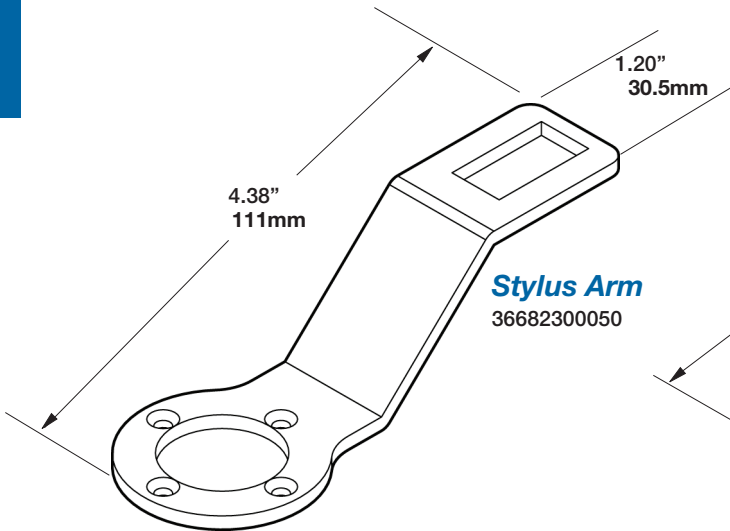
36572301012 1.0KW
46522300241



Break-Away Bar - X Dimension

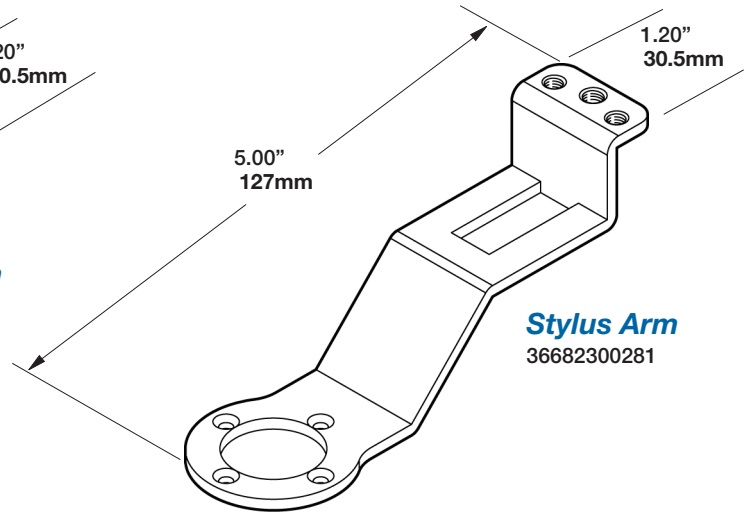
36682300280	.79	19.9mm
36673300280	.73	18.6mm

LASER



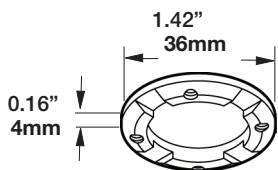
Stylus Arm

36682300050



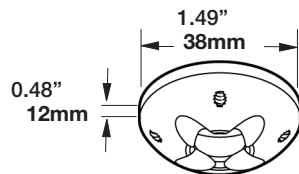
Stylus Arm

36682300281



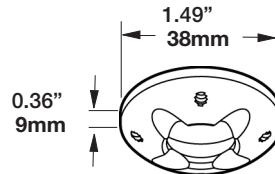
Stylus Foot 1KW

46512300520



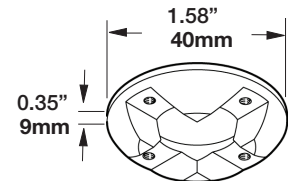
Stylus Foot 1.5KW

46572301041	Brass
46572301042	Brass
46572301042S	Steel
46572301041T	Teflon



Stylus Foot 2.0KW

46602350070	Brass
46602350080	Brass
46602350080S	Steel
46602350080X	Teflon



Stylus Foot

46612350280	Copper
46612350280S	Steel
46612350270	Brass

OPTICS FOR MAZAK® LASERS
Focusing Lenses

P/N	Lasertec P/N	Material	Diameter	Focal Length	Edge Thickness
Z50MB000130	ZC15500118	ZnSe	1.5"	5.0"	.118
Z50MB000160	ZC15500236	ZnSe	1.5"	5.0"	.236"
Z50MB000400	ZC15500310	ZnSe	1.5"	5.0"	.310"
Z50ZZ005150	ZC20500120	ZnSe	2.0"	5.0"	.120"
Z50ZZ005160	ZC20500310	ZnSe	2.0"	5.0"	.310"
Z50ZZ005190	ZC20750197	ZnSe	2.0"	7.5"	.197"
Z50ZZ005200	ZC20750380M	ZnSe	2.0"	7.5"	.380"

Protective Windows

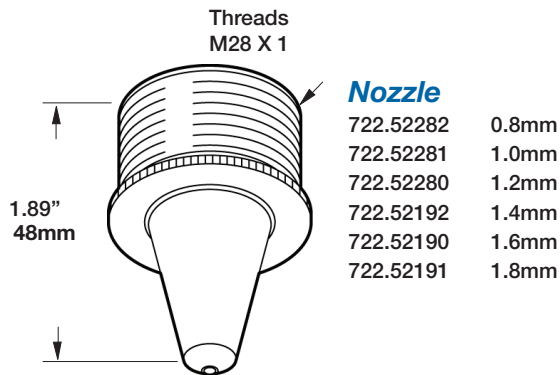
P/N	Material	Diameter	Edge Thickness
W495	FS	42mm	9mm

LASER

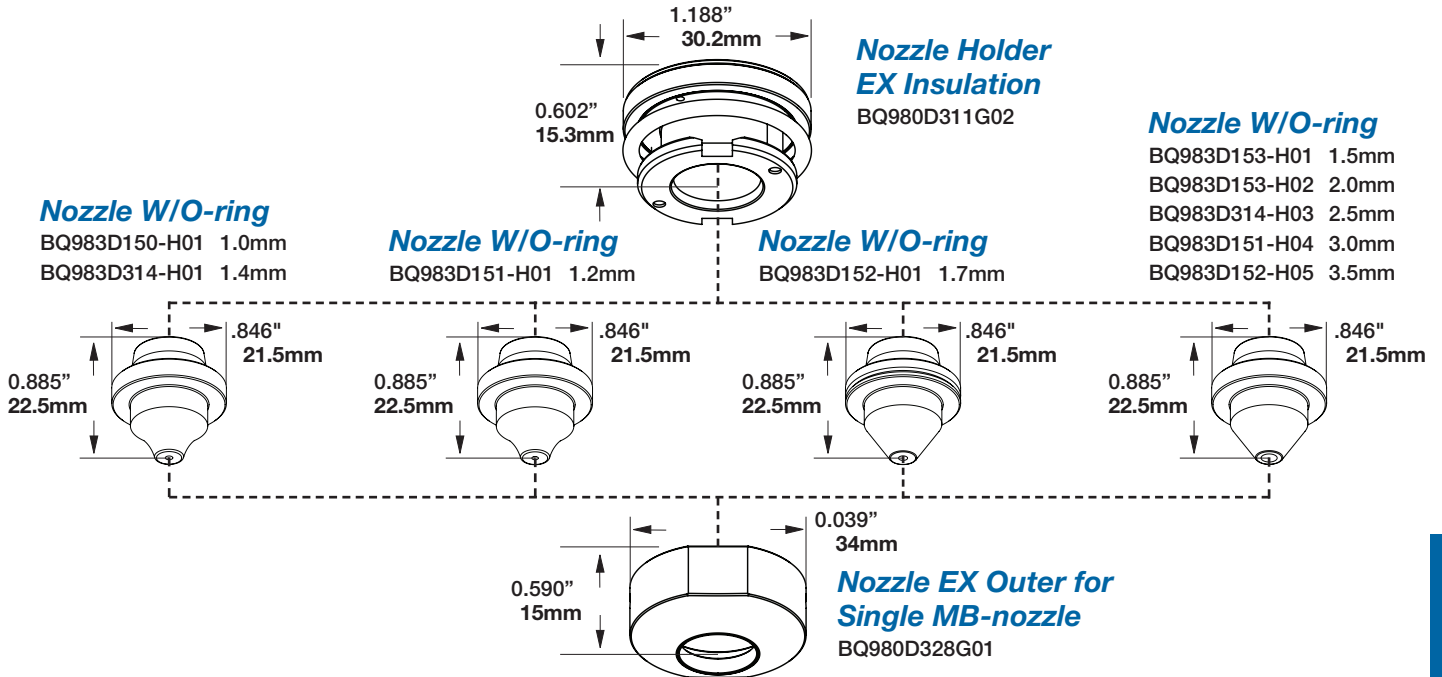
42

MG[®]

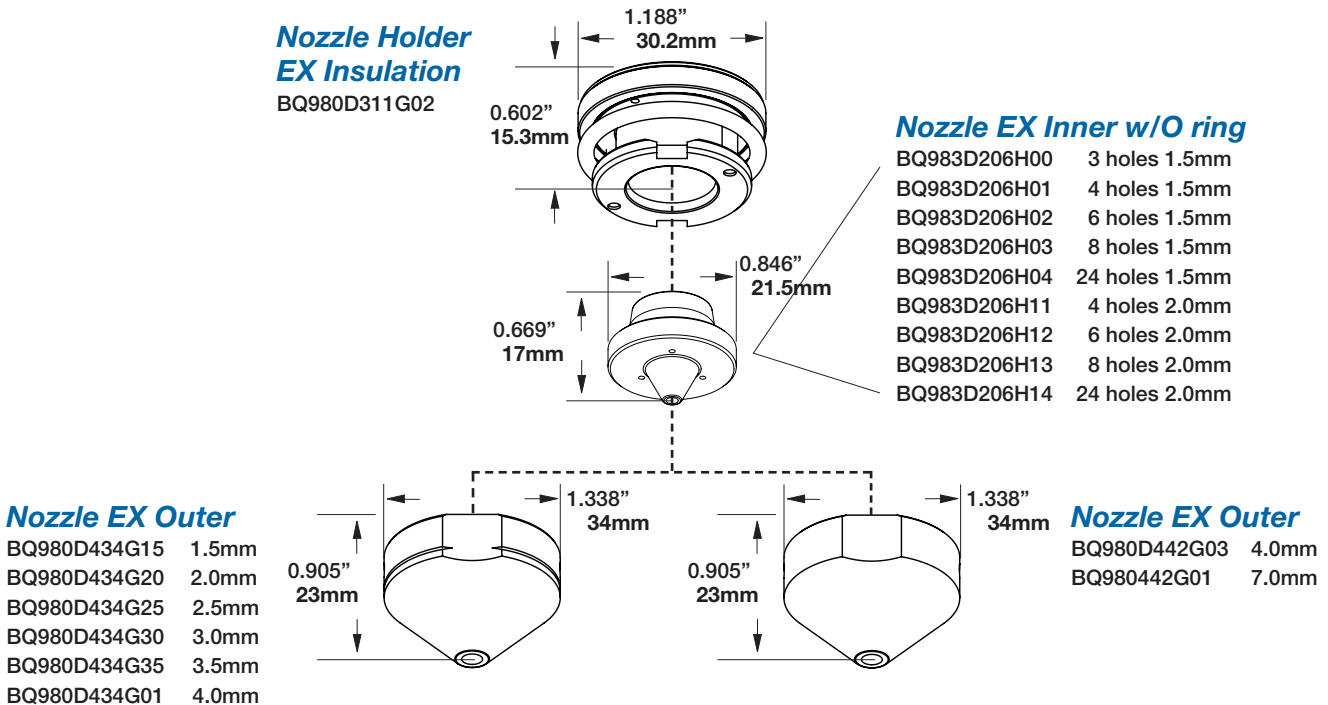
MESSER



LASER

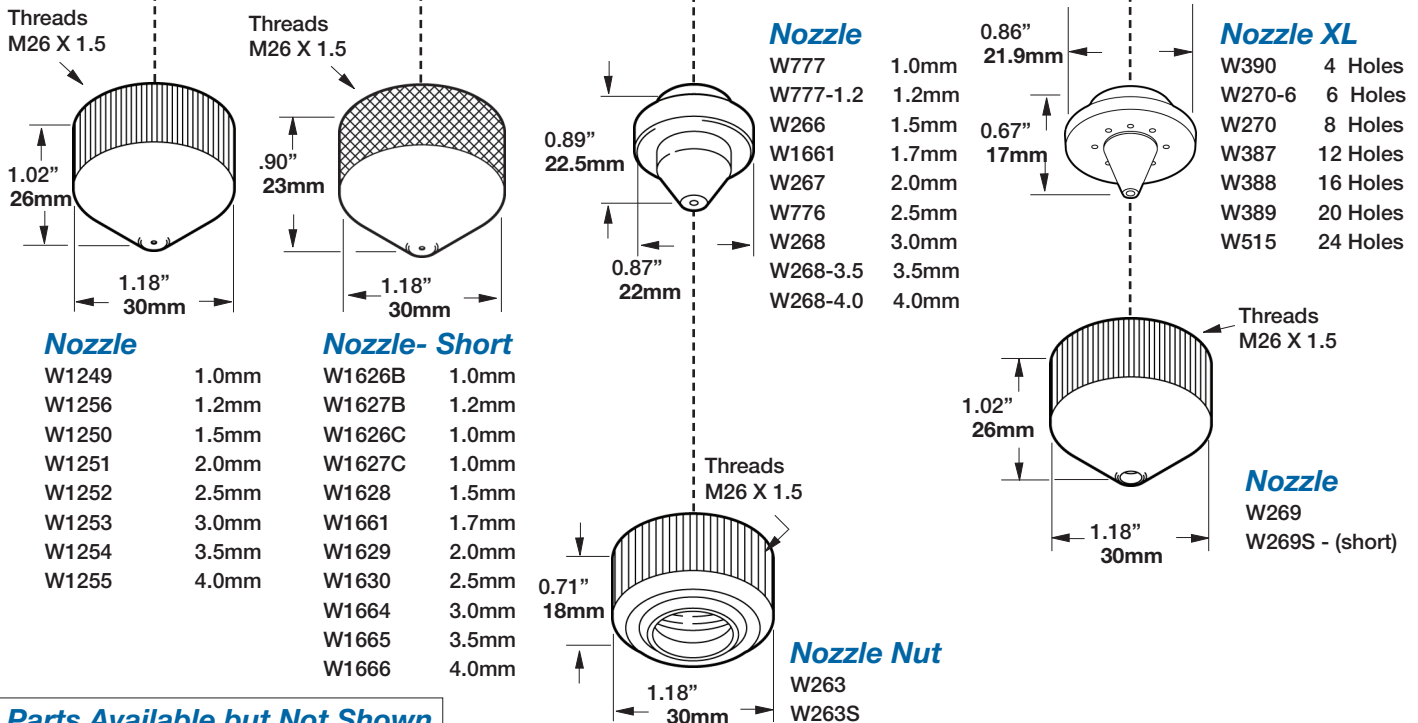
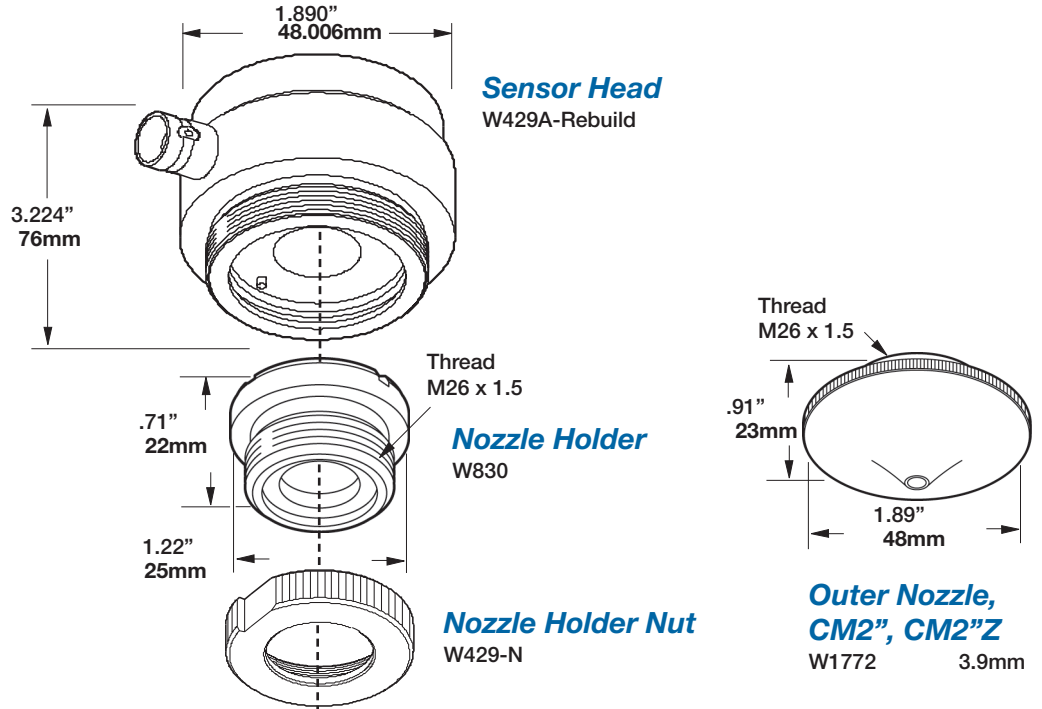


LASER



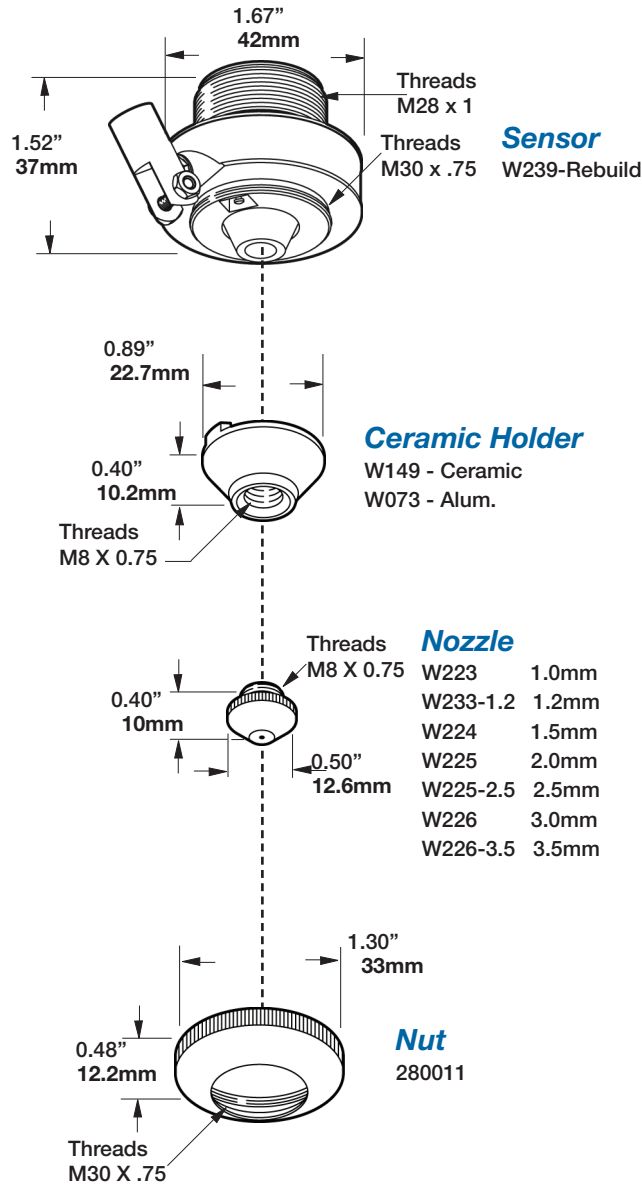
LX/LXP

LASER



Parts Available but Not Shown

- W1075 90° BNC Adapter
- W812A BNC Cable

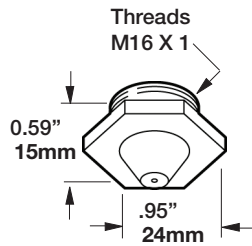


LASER

Contact Head

Nozzle

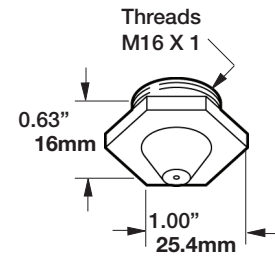
W001-1.0A	1.0mm
W001-A	1.5mm
W002-A	2.0mm
W002-2.5A	2.5mm
W003-A	3.0mm



Contact Head

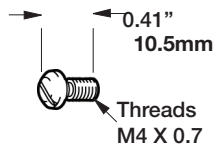
Nozzle

W001-1.0	1.0mm
W001	1.5mm
W002	2.0mm
W002-2.5	2.5mm
W003	3.0mm



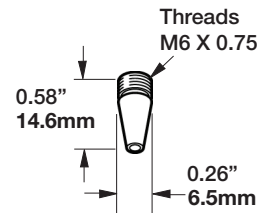
Screw

W104



Nozzle

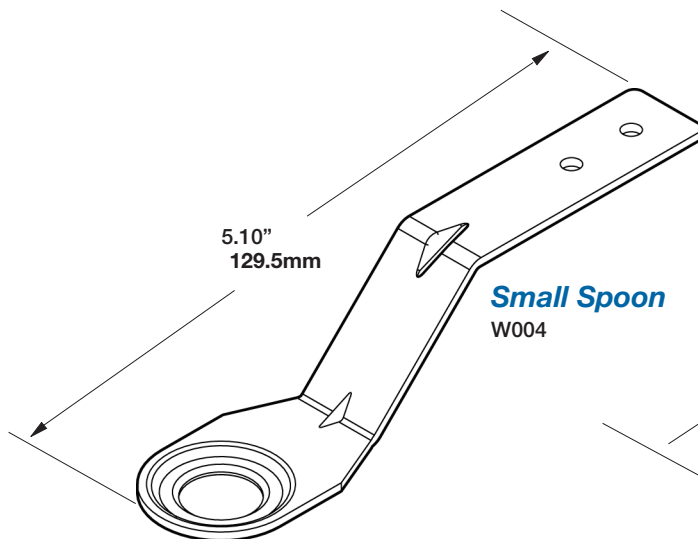
W400



LASER

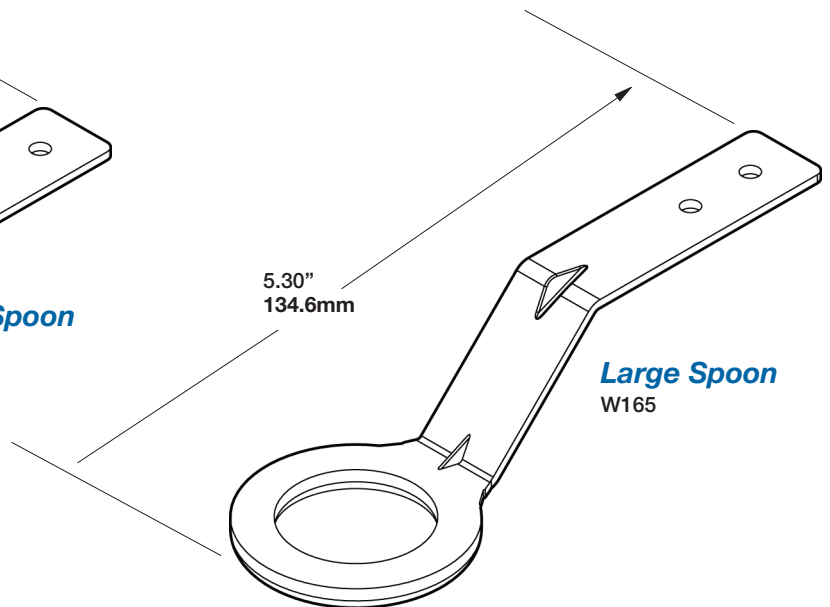
5.10"
129.5mm

Small Spoon
W004



5.30"
134.6mm

Large Spoon
W165



OPTICS FOR MITSUBISHI® LASERS

Focusing Lenses

P/N	Lasertec P/N	Material	Diameter	Focal Length	Edge Thickness
W006	ZC15350118	ZnSe	1.5"	3.5"	.118"
W015	ZM20750380	ZnSe	2.0"	7.5"	.380"
W018	ZC15750315	ZnSe	1.5"	7.5"	.315"
W500	ZC15500310	ZnSe	1.5"	5.0"	.310"
W505	ZC20500310	ZnSe	2.0"	5.0"	.310"
W510	ZC20750310	ZnSe	2.0"	7.5"	.310"
W813		ZnSe	1.5"	15000 mm	Collimator

Protective Windows

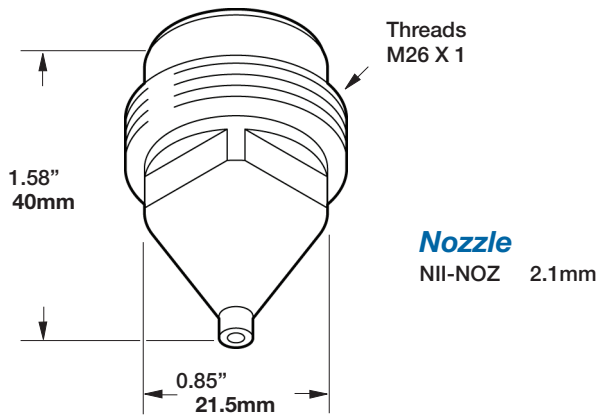
P/N	Material	Diameter	Edge Thickness
632336-117	FS	25.4mm	5mm
633744-137	FS	50mm	8mm



48

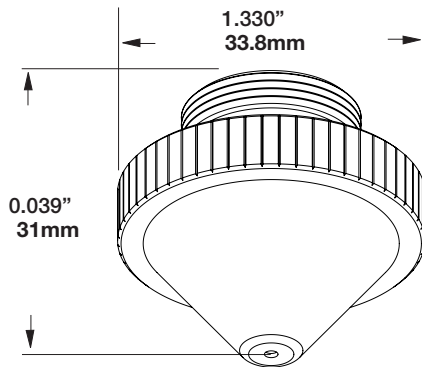
NIIGATA[®] / NTC[®] / BEYELER[®]

NIIGATA[®]



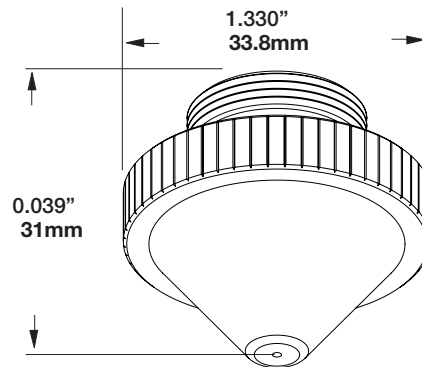
LASER

NTC[®] / BEYELER[®]



Nozzle

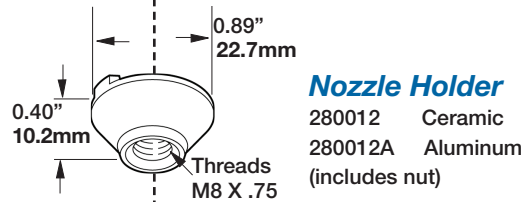
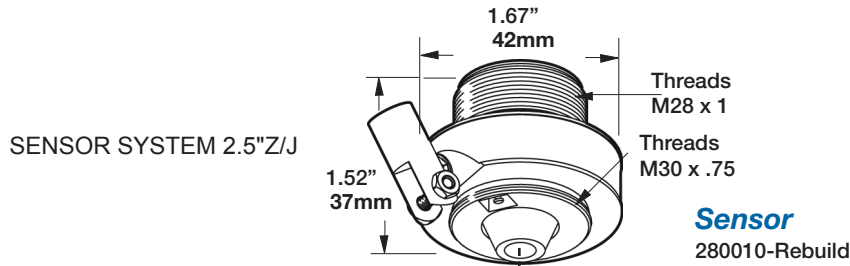
NTC - L10C	1.0mm
NTC - L12C	1.2mm
NTC - L15C	1.5mm
NTC - L20C	2.0mm
NTC - L30C	3.0mm
NTC - L40C	4.0mm



Nozzle

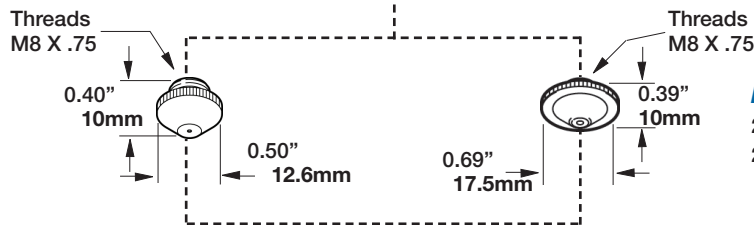
NTC - G15C	1.5mm
NTC - G20C	2.0mm
NTC - G30C	3.0mm
NTC - S15B	special

LASER



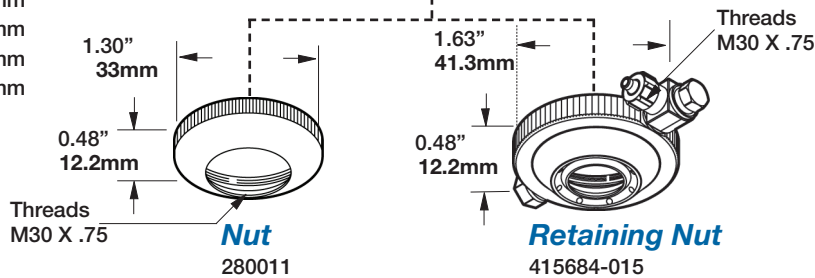
Nozzle

- 280013 / P0492-441-00008 0.8mm
- 280014 / P0492-442-00010 1.0mm
- 280015 / P0492-443-00012 1.2mm
- 280015-1.3 1.3mm
- 280016 / P0492-444-00015 1.5mm
- 280937 / P0492-445-00020 2.0mm
- 280937-2.5 2.5mm
- 280927 3.0mm



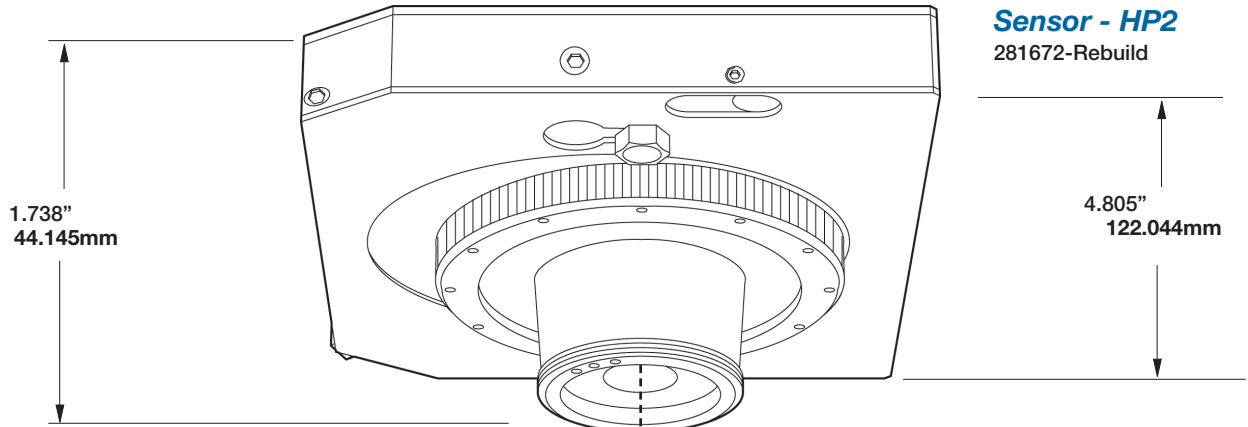
Nozzle

- 281024 1.5mm
- 281024-1.8 1.8mm



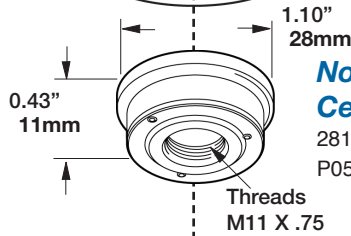
50

PRECITEC[®]



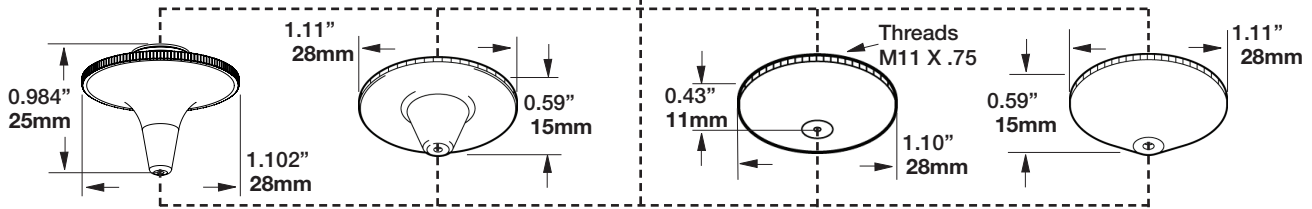
Sensor - HP2

281672-Rebuild



**Nozzle Holder
Ceramic KT B2"**

281330 / P0571-260-00001 CYL
P0571-1051-00001 CON



**Nozzle Long
w/Radius**

Part #	Size
P0578-0412-00012	1.2mm
P0578-0413-00015	1.5mm
P0578-0414-00018	1.8mm
P0572-0415-00020	2.0mm

Nozzle DE HP

Part # / Alternate Part #	Size
281590 / P0591-569-00008	0.8mm
281331 / P0591-561-00010	1.0mm
281351 / P0591-562-00012	1.2mm
281352 / P0591-563-00015	1.5mm
281353 / P0591-564-00018	1.8mm
281354 / P0591-565-00020	2.0mm
281591 / P0591-566-00025	2.5mm

Nozzle

281552	1.2mm
281553	1.5mm
281554	2.0mm

Nozzle DE HP N

Part # / Alternate Part #	Size
281548-0.8 / P0591-673-0008	8.8mm
281548 / P0591-571-00010	1.0mm
281549 / P0591-572-00012	1.2mm
281463 / P0591-573-00015	1.5mm
281463-1.8 / P0591-574-00018	1.8mm
281550 / P0591-575-00020	2.0mm
281551 / P0591-576-00025	2.5mm

Nozzle Double 3D

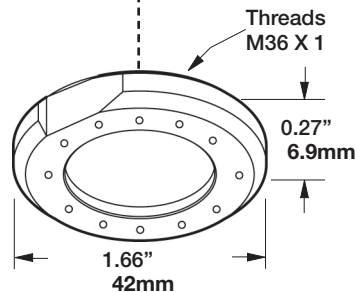
Part #	Size
6930250001	0.8mm
6930250002	1.0mm
6930250003	1.2mm
6930250004	1.5mm

Double Nozzle HP N

Part #	Size
P0591-002-00012	1.2mm
P0591-002-00014	1.4mm
P0591-002-00015	1.5mm
P0591-573-00018	1.8mm
P0591-573-00020	2.0mm
P0591-573-00025	2.5mm

Union Nut

281329



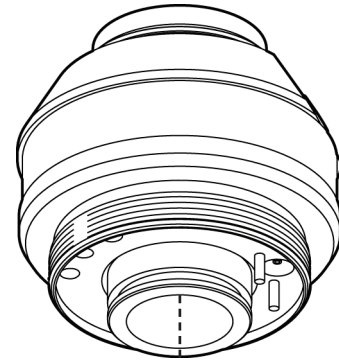
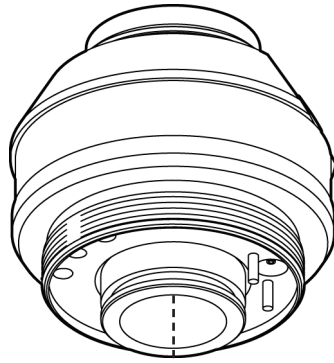
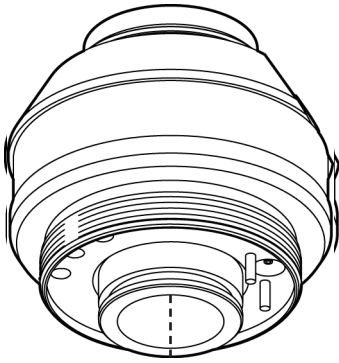
LASER

Sensor System 5"DXN

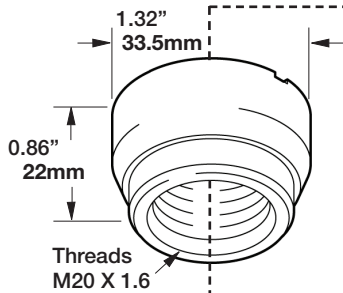
**5" DX
Sensor Head**
280033-Rebuild

**5" DXN
Sensor Head**
280948-Rebuild

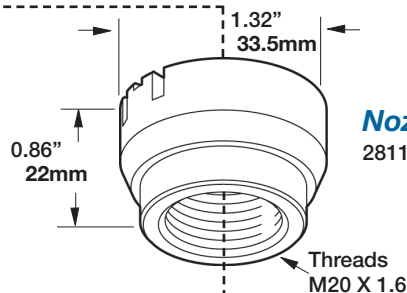
**M1.5/DZ
Sensor Head**
281145-Rebuild /
P0380-110-00002-Rebuild



Nozzle Holder
280565
280831 (5"DX)

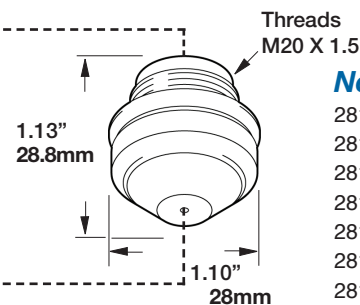
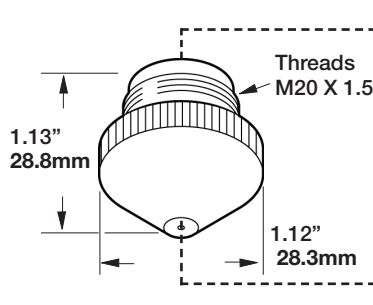


Nozzle Holder
281146 / P0380-211-00001



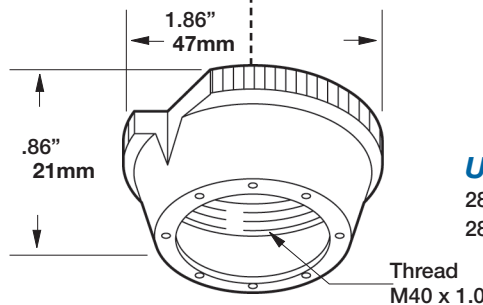
**Nozzle
Non-Contact**

- 280029 1.0mm
- 280030 1.2mm
- 280028 1.5mm
- 281384 1.7mm
- 280027 2.0mm
- 280026 2.5mm
- 280025-3.0 3.0mm
- 280025-3.5 3.5mm
- 281029L lav 1.0mm
- 281029L-1.7 lav 1.7mm
- 281029L-1.8 lav 1.8mm



Nozzle M1.5 DZ,DL,H

- 281253 / P0380-251-00010 1.0mm
- 281254 / P0380-252-00012 1.2mm
- 281255 / P0380-253-00015 1.5mm
- 281270 / P0380-254-00020 2.0mm
- 281271 / P0380-255-00025 2.5mm
- 281271-3.0 3.0mm
- 281271-4.0 4.0mm



UnionNut

280566
280025 (5"DX)

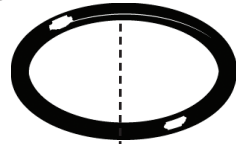
LASER

American Torch Tip Company is in no way affiliated with the above-named original equipment manufacturer(s) ("OEM"). References to the above-named machines, torches, and numbers are for your reference only. Most parts advertised for sale are made by or for American Torch Tip, and other parts as indicated, are original parts manufactured by above-named OEM and are simply being re-sold by American Torch Tip. Footnotes: * = OEM; # = American Torch Tip is licensed to make and sell this part by named manufacturer; ATTC and ATT suffix = This part is an original American Torch Tip design and is not manufactured identical to the OEM design; © indicates a registered trademark, trade name, or product name of the above-named company. PHD®, PHDX™, Lightning®, Waltec™, Integra™, Lasertec Laser Division of American Torch Tip®, Multi-Use™ and ProMix™ are trademarks owned by American Torch Tip Company. © Copyright 2021, American Torch Tip Company.

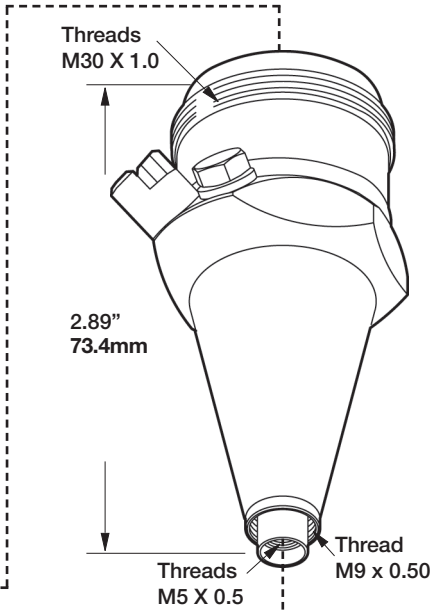
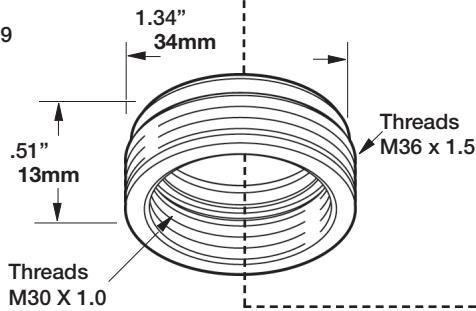
M1.5 HNZ / CZ

LASER

O-Ring
281123



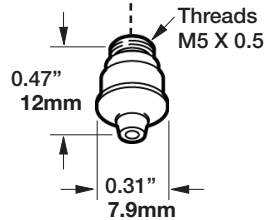
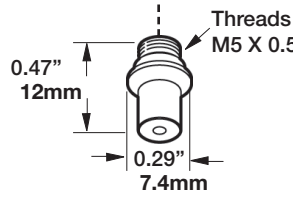
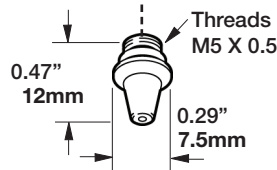
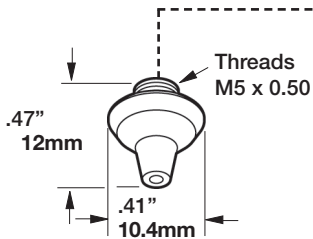
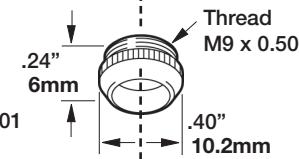
MNI-1009



Sensor Insert HNZ
P0354-110-00001-Rebuild

Sensor Insert CZ
Not Shown
P0356-201-00001-Rebuild

Union Nut
281003
P0352-311-00001



Nozzle Cu - 3D

- P0352-381-00010 1.0mm
- P0352-382-00012 1.2mm
- P0352-383-00015 1.5mm
- P0352-384-00020 2.0mm
- P0352-385-00025 2.5mm
- P0352-388-00030 3.0mm

Nozzle - M1.5\"/>

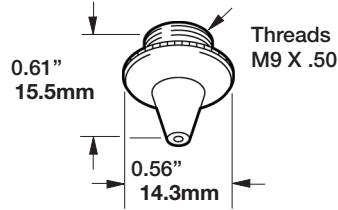
- 281006 / P0352-333-00010 1.0mm
- 281030 / P0352-334-00012 1.2mm
- 281031 / P0352-335-00015 1.5mm
- 280898 / P0352-336-00018 1.8mm
- P0352-336-0002 2.0mm

Nozzle - M1.5\"/>

- 281005 / P0352-323-00010 1.0mm
- 281034 / P0352-324-00012 1.2mm
- 281013 / P0352-325-00015 1.5mm
- 280899 / P0352-326-00018 1.8mm
- P0352-327-00020 2.0mm
- P0352-328-00025 2.5mm

Nozzle - M1.5\"/>

- 281010 / P0352-352-00008 0.8mm
- 281035 / P0352-354-00012 1.2mm
- 281036 / P0352-355-00015 1.5mm
- P0352-353-00018 1.8mm

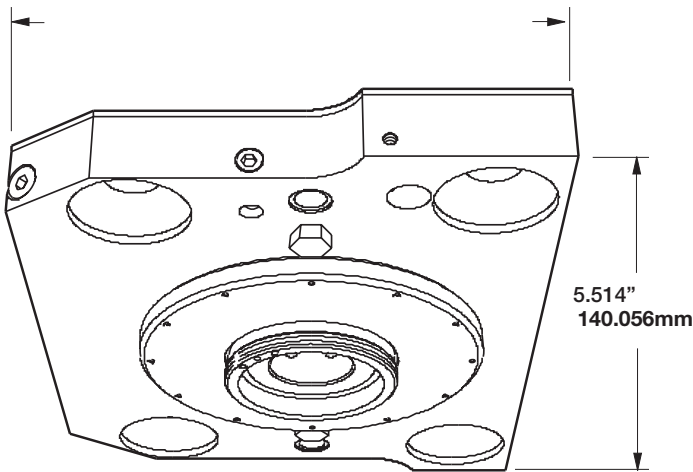


Nozzle

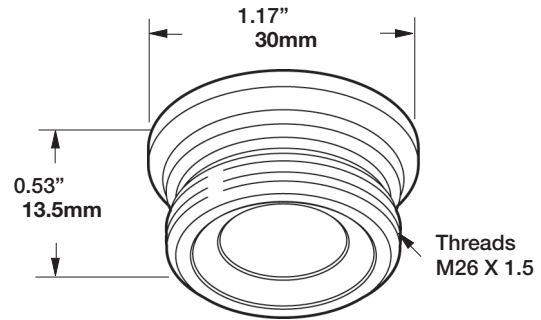
281813 / P0589-424-0008	0.8mm
281789 / P0589-426-00010	1.0mm
281561 / P0589-425-00012	1.2mm
281814 / P0589-427-00015	1.5mm
281814-2.0 / P089-426-00020	2.0mm

Parts Available but Not Shown

149884 / D5589-801-05000	Sensor Cable
149951	Cable MXC
562311	Cable BNC
563983	Cable BNC
P0589-400-00001-Rebuild /	Sensor Insert MCX
778548-Rebuild	
P0589-800-00001-Rebuild /	Sensor Insert BNC
562313-Rebuild	



Sensor - HP2MZ
P0594-820-00001-Rebuild



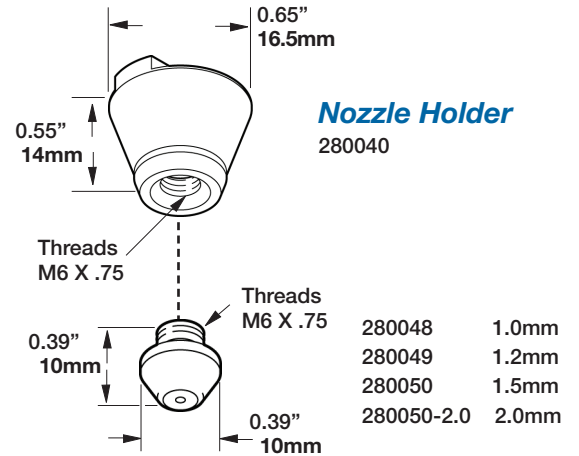
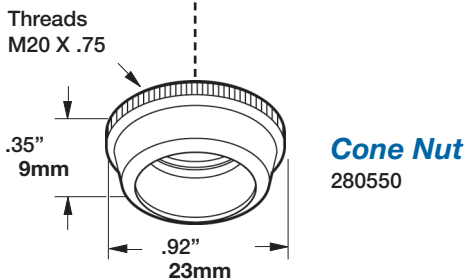
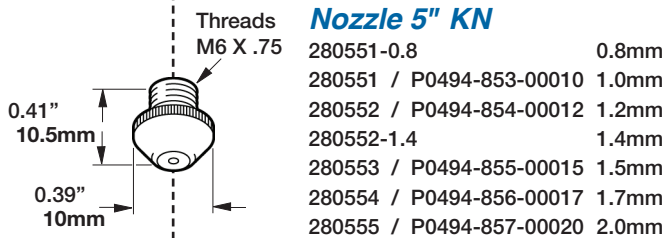
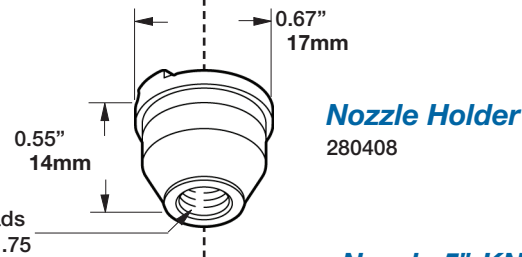
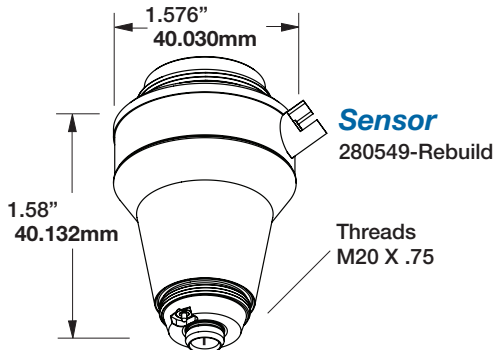
Nozzle Holder Aluminum

P0594-860-00001

LASER

SENSOR SYSTEM 5"KN

SENSOR SYSTEM 5"K

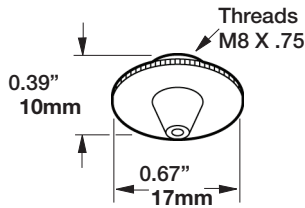


Parts Available but Not Shown

- 280042-Rebuild Sensor
- 280041 Cone Nut

LASER

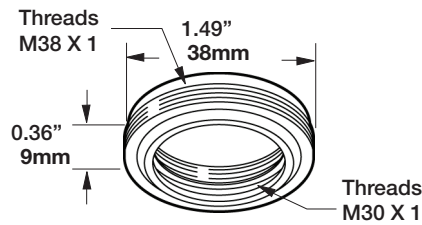
SCL



Nozzle

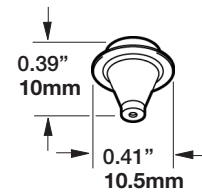
281298 / P0492-482-00012	1.2mm
281009 / P0492-483-00015	1.5mm
281293 / P0492-484-00020	2.0mm

KN, DZ, DXN, DX



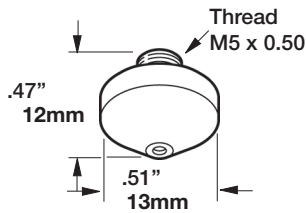
Insulator
280064

YK52



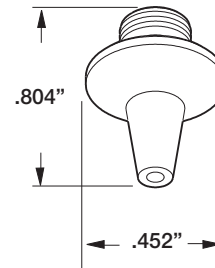
Nozzle

281243	1.0mm
281242	1.5mm



Tip, Cu - 2D

P0352-386-00015	1.8mm
P0352-387-00020	2.0mm
P0352-392-00030	3.0mm



Nozzle

P0787-483-00015-1.2	1.2mm
P0787-483-00015	1.5mm
P0787-483-00015-1.75	1.75mm
P0787-483-00015-2.0	2.0mm

LASER

OPTICS FOR PRECITEC® LASERS

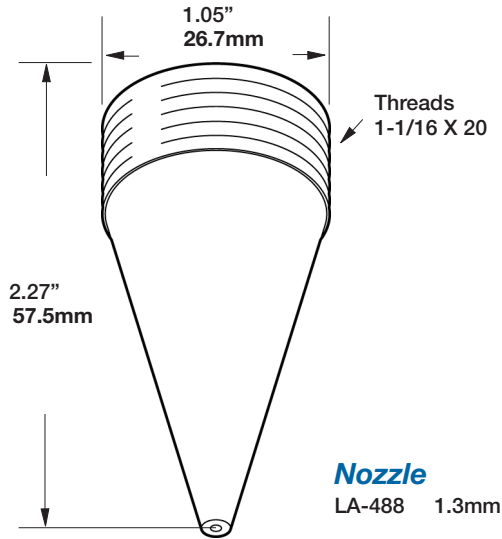
Protective Windows

P/N	Material	Diameter	Edge Thickness
284.0402	FS	50mm	3.18mm
P0595-58601	FS	37mm	7mm

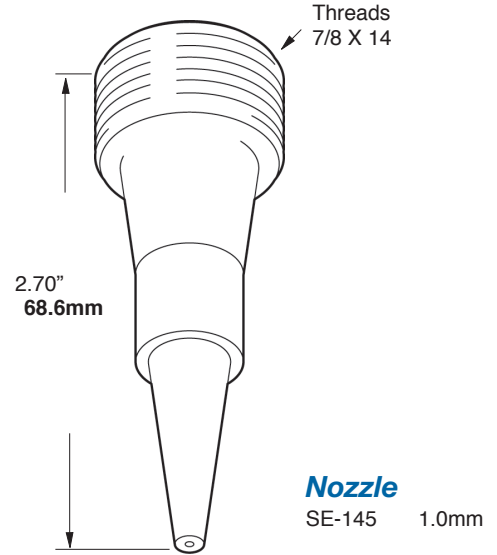
American Torch Tip Company is in no way affiliated with the above-named original equipment manufacturer(s) ("OEM"). References to the above-named machines, torches, and numbers are for your reference only. Most parts advertised for sale are made by or for American Torch Tip, and other parts as indicated, are original parts manufactured by above-named OEM and are simply being re-sold by American Torch Tip. Footnotes: * = OEM; # = American Torch Tip is licensed to make and sell this part by named manufacturer; ATTC and ATT suffix = This part is an original American Torch Tip design and is not manufactured identical to the OEM design; © indicates a registered trademark, trade name, or product name of the above-named company. PHD®, PHDX™, Lightning®, Waltec™, Integra™, Lasertec Laser Division of American Torch Tip®, Multi-Use™ and ProMix™ are trademarks owned by American Torch Tip Company. © Copyright 2021, American Torch Tip Company.

RAYTHEON[®] / ROFIN SINAR[®] / SHIBUYA[®] / SPECTRA PHYSICS[®]

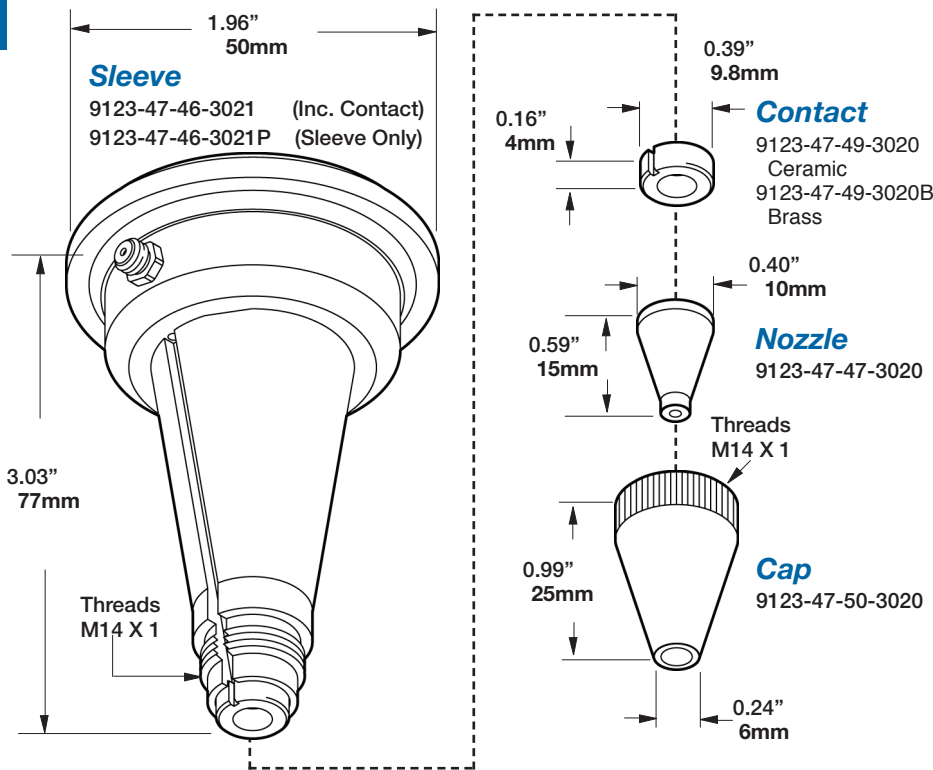
RAYTHEON[®]



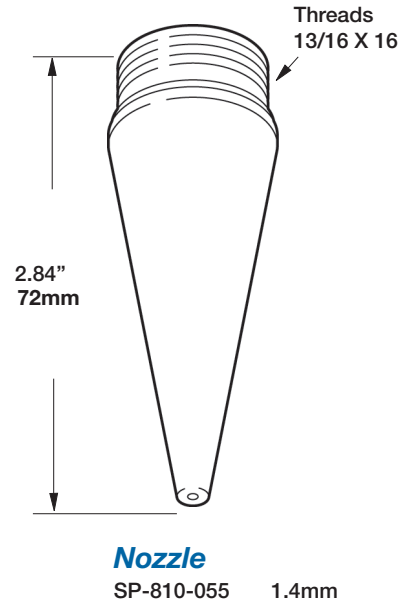
ROFIN SINAR[®]



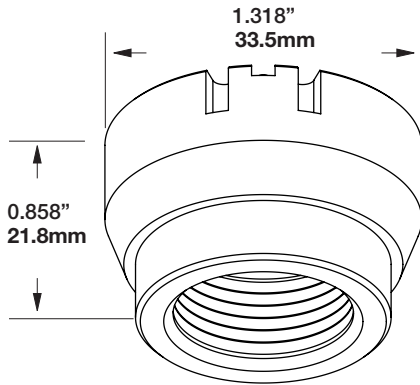
SHIBUYA[®]



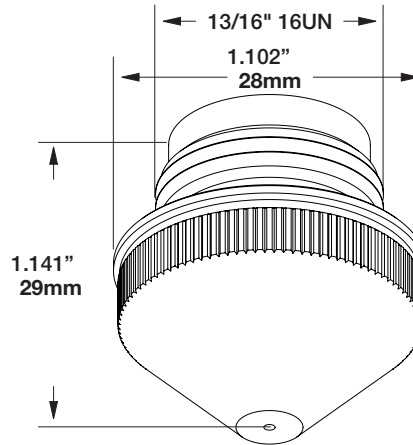
SPECTRA PHYSICS[®]



LASER



PT Nozzle Holder ITM
P0380-211-00001 1.5" DZ



SA Nozzle

- 146331A4 1.0mm
- 146330A4 1.25mm
- 146329A4 1.5mm
- 146328A4 1.75mm
- 146327A4 2.0mm
- 146326A4 2.25mm
- 146325A4 2.5mm
- 146324A4 2.75mm
- 146323A4 3.0mm

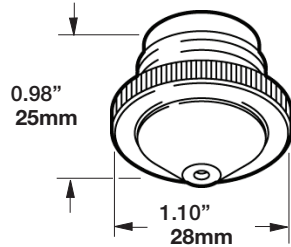
LASER

OPTICS FOR SALVAGNINI® LASERS

Protective Windows

P/N	Material	Diameter	Edge Thickness
632755-117	FS	32mm	6.35mm

American Torch Tip Company is in no way affiliated with the above-named original equipment manufacturer(s) ("OEM"). References to the above-named machines, torches, and numbers are for your reference only. Most parts advertised for sale are made by or for American Torch Tip, and other parts as indicated, are original parts manufactured by above-named OEM and are simply being re-sold by American Torch Tip. Footnotes: * = OEM; # = American Torch Tip is licensed to make and sell this part by named manufacturer; ATTC and ATT suffix = This part is an original American Torch Tip design and is not manufactured identical to the OEM design; © indicates a registered trademark, trade name, or product name of the above-named company. PHD®, PHDX™, Lightning®, Waltec™, Integra™, Lasertec Laser Division of American Torch Tip®, Multi-Use™ and ProMix™ are trademarks owned by American Torch Tip Company. © Copyright 2021, American Torch Tip Company.



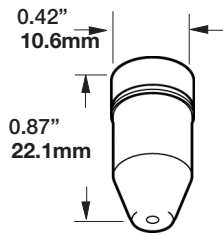
Nozzle Standard

7945470	1.0mm
5241982	1.2mm
7945434	1.5mm
7945452	2.0mm
7945517	2.5mm

Nozzle High Pressure

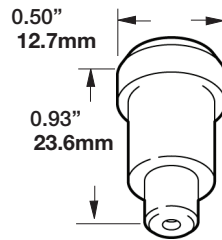
5241862	1.5mm
5241863	1.0mm
5241855	2.0mm
5241856	2.5mm
5241857	3.0mm
5241877	3.5mm
5241878	4.0mm

LASER



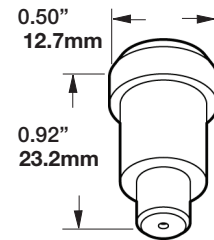
Nozzle

1001019-000	1.0mm
1001020-000	2.0mm



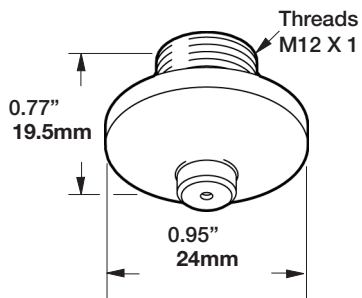
Nozzle

123409-100	2.0mm H.P.
------------	------------



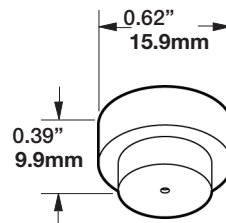
Nozzle

123409-000	1.2mm L.P.
------------	------------



Nozzle

1001233-150	1.5mm
1001233-200	2.0mm
1001233-250	2.5mm
1001233-300	3.0mm
1001233-350	3.5mm



Nozzle

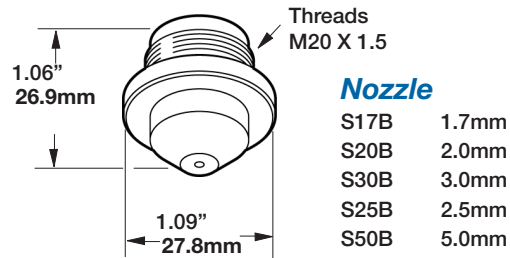
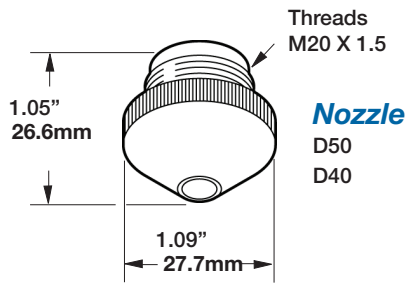
106054-000	1.0mm L.P.
106054-000-1.5	1.5mm L.P.
106054-000-2.0	2.0mm L.P.
106054-100	2.0mm L.P.

OPTICS FOR STRIPPIT® / LVD® LASERS

Focusing Lens

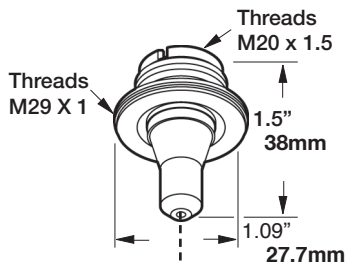
P/N	Lasertec P/N	Material	Diameter	Focal Length	Edge Thickness
0018827-000	ZM15500291	ZnSe	1.5"	5.0"	.291"
0018827-100	ZC15500236	ZnSe	1.5"	5.0"	.236"
0800952-000	ZC15350118	ZnSe	1.5"	3.5"	.118"
1000746-100	ZC15750300	ZnSe	1.5"	7.5"	.300"
1001151-000	ZM15500350	ZnSe	1.5"	5.0"	.350"
1001152-000	ZM15750350	ZnSe	1.5"	7.5"	.350"
29100023	ZM15500291	ZnSe	1.5"	5.0"	.291"
29100030	ZM15750291	ZnSe	1.5"	7.5"	.291"
29100055	ZM20750380	ZnSe	2.0"	7.5"	.380"
29100061	ZM20100380	ZnSe	2.0"	10.0"	.380"
29100062	ZM20125380	ZnSe	2.0"	12.5"	.380"
29100115	ZM18500354	ZnSe	1.8"	5.0"	.354"
29100116	ZM18750354	ZnSe	1.8"	5.0"	.354"

LASER



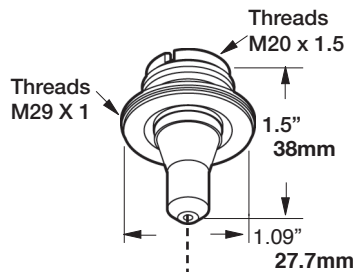
Nozzle, Inner

- C20D-2
- C20E-2-1.5 1.5mm
- C20E-2 2.0mm



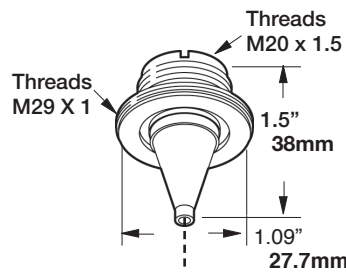
Nozzle, Inner

- C22D-2



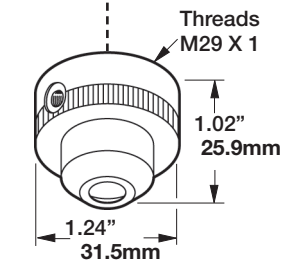
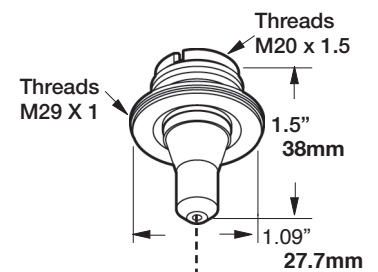
Nozzle, Inner

- C25C-2



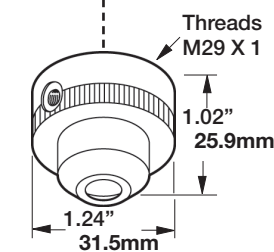
Nozzle, Inner

- C30D-1
- C30E-1



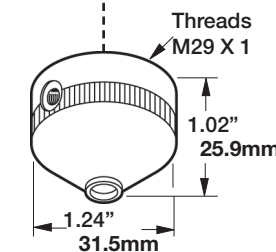
Nozzle, Outer

- C20D-1
- C20E-1



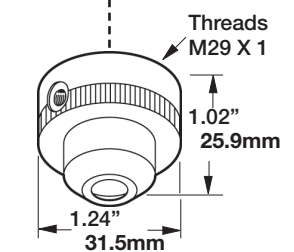
Nozzle, Outer

- C22D-1



Nozzle, Outer

- C25C-1



Nozzle, Outer

- C30D-2
- C30E-2

Nozzle Assy.

- C20D

Nozzle Assy.

- C20E

Nozzle Assy.

- C22D

Nozzle Assy.

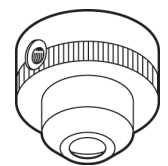
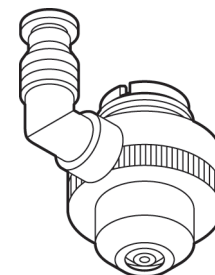
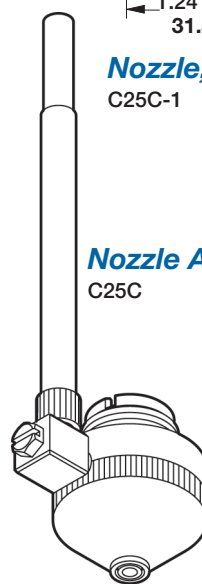
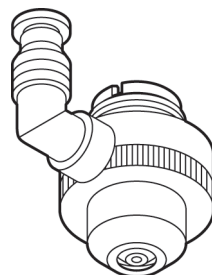
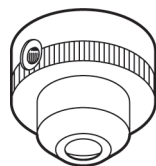
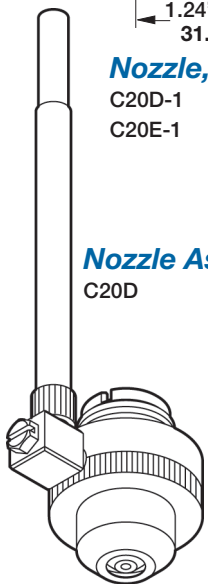
- C25C

Nozzle Assy.

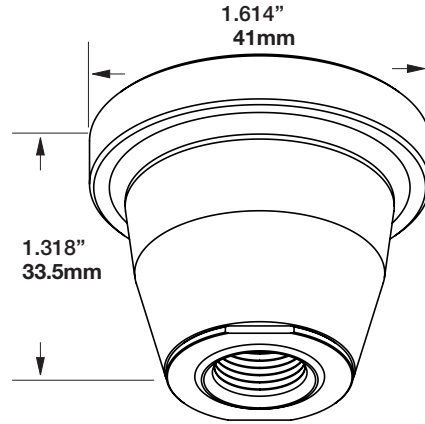
- C30D

Nozzle Assy.

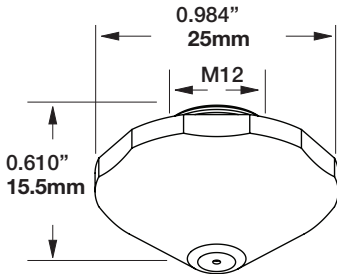
- C30E



LASER

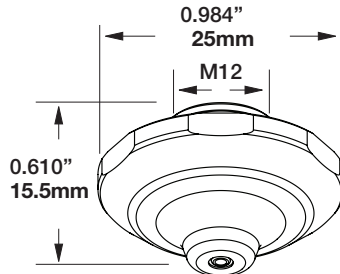


Nozzle Holder, ceramic
1755673



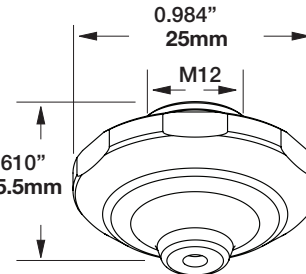
Nozzle EAA

1324858	0.8mm
1324860	1.0mm
1324861	1.2mm
1324863	1.4mm
1324864	1.7mm
1324865	2.0mm
1324866	2.3mm
1324867	2.7mm



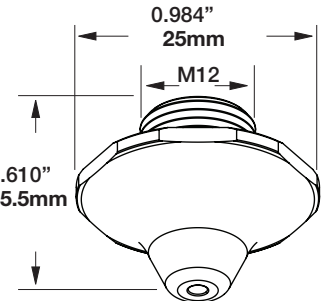
Nozzle Double EAU

2059462	2.5mm
2060001	3.0mm
2060004	4.0mm
2060025	6.0mm
2253595	10.0mm



Nozzle Double EAK

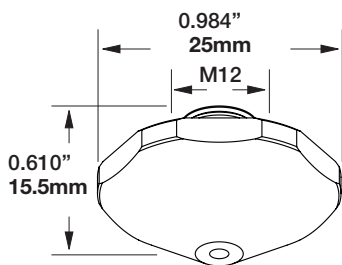
1579549	2.5mm
1579556	3.0mm
1835747	4.0mm



Nozzle EAB

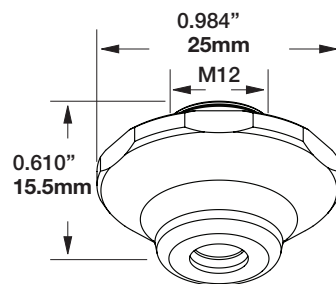
1373324	0.8mm
1373325	1.0mm
1373326	1.2mm
1373327	1.4mm
1373328	1.7mm
1373329	2.0mm
1373330	2.3mm
1373331	2.7mm

LASER



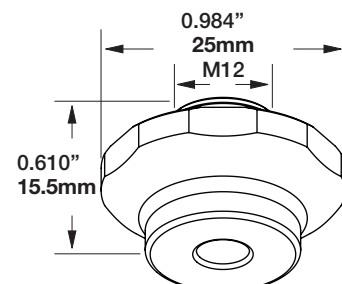
Nozzle Focusing ZAA-01

1637264



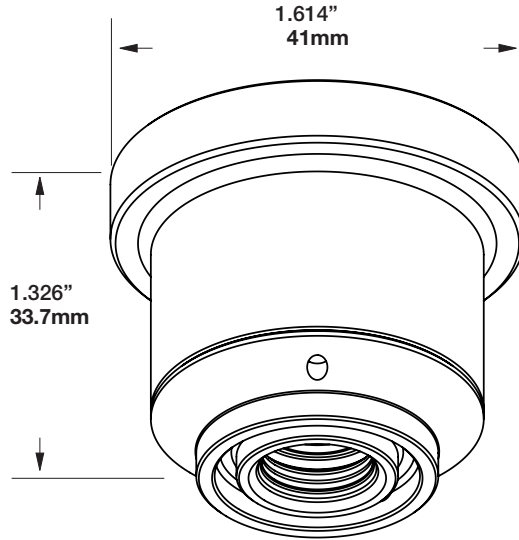
Nozzle Double EAQ

1809091	6.0mm
1809421	7.5mm
1886199	9.5mm

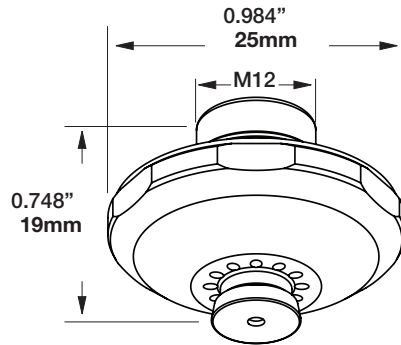


Nozzle EAC

1633046 5.3mm



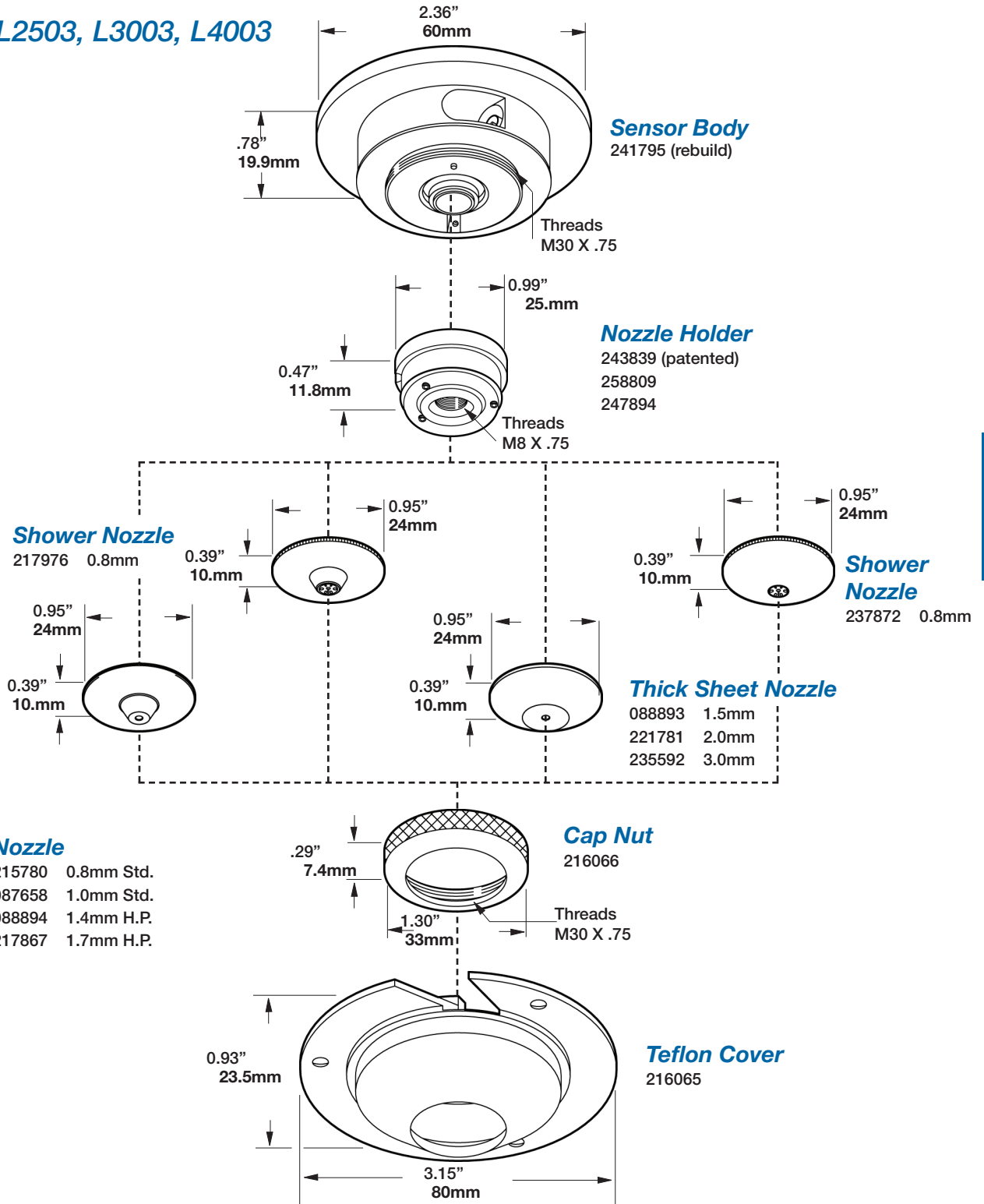
Nozzle Holder, ceramic
1906032



Nozzle EGL

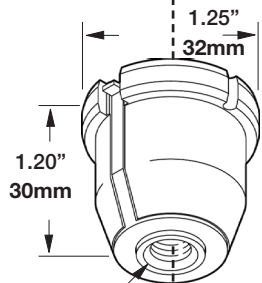
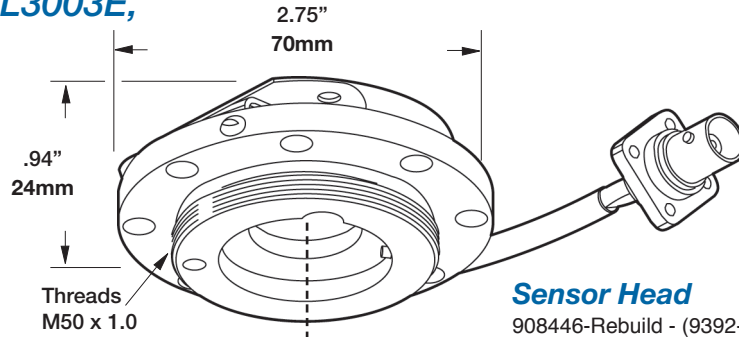
1879940	1.4mm
1879951	1.7mm
1879952	2.0mm
1879953	2.3mm

2.5S/TT
L1003, L2503, L3003, L4003



LASER

**Trumatic L2530, L3030,
L4030, L6030, L2503E, L3003E,
L4003E, TC 600L**

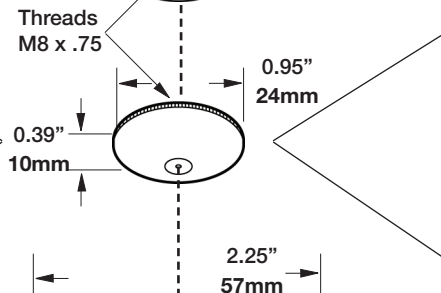


Nozzle

124561	0.8mm
124562	1.0mm
124562-1.1	1.1mm
237498-1.2	1.2mm
124562-1.5	1.5mm
124564	2.3mm
126933	2.3mm
237504	3.0mm
237501	1.7mm
237503	2.0mm
942742	2.7mm
237497	1.4mm
237500	1.5mm

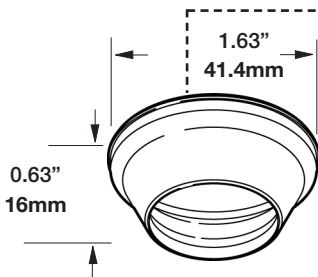
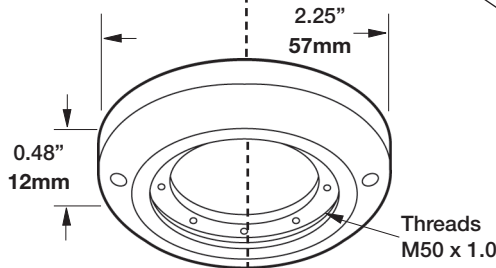
Nozzle, Chrome

352280	0.8mm
352281	1.0mm
352282	1.2mm
352282-1.5	1.5mm
352285	2.3mm
352284	1.7mm
352287	2.0mm
352286	2.7mm
352283	1.4mm

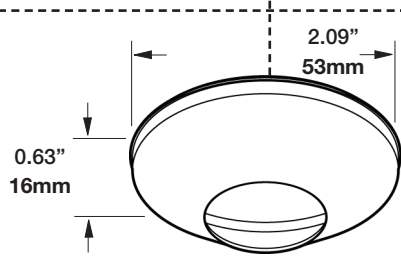


Cap Nut

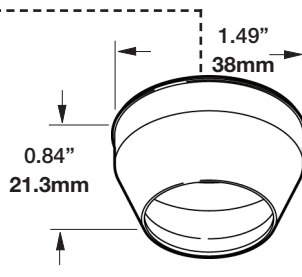
256152



Teflon Cover
254496



Teflon Cover
225286

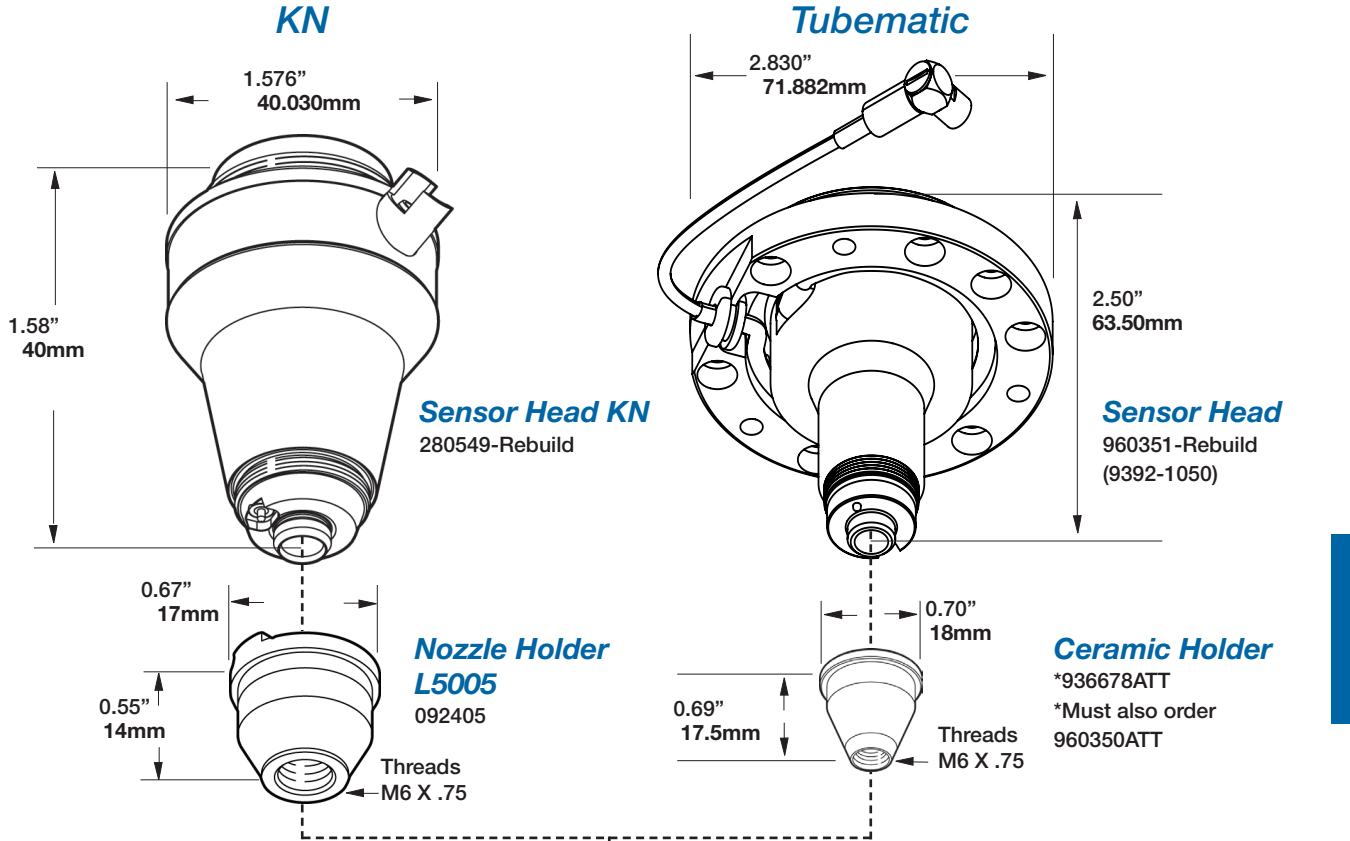


Teflon Cover
256153

LASER

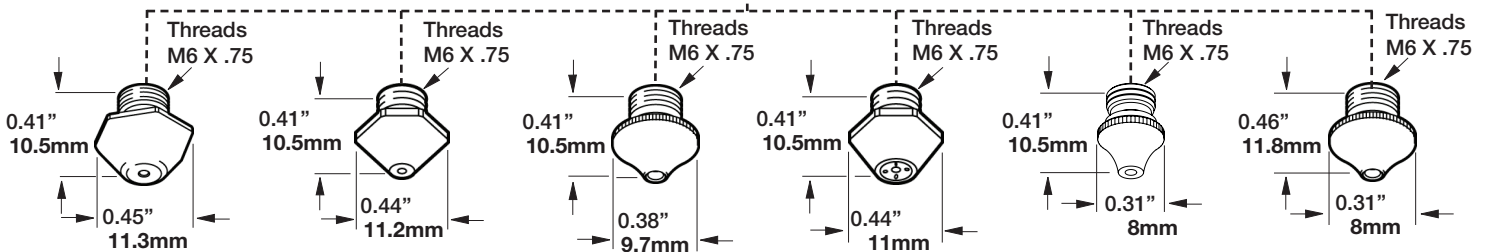
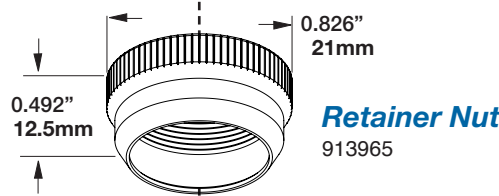
American Torch Tip Company is in no way affiliated with the above-named original equipment manufacturer(s) ("OEM"). References to the above-named machines, torches, and numbers are for your reference only. Most parts advertised for sale are made by or for American Torch Tip, and other parts as indicated, are original parts manufactured by above-named OEM and are simply being re-sold by American Torch Tip. Footnotes: * = OEM; # = American Torch Tip is licensed to make and sell this part by named manufacturer; ATTC and ATT suffix = This part is an original American Torch Tip design and is not manufactured identical to the OEM design; © indicates a registered trademark, trade name, or product name of the above-named company. PHD®, PHDX™, Lightning®, Waltec™, Integra™, Lasertec Laser Division of American Torch Tip®, Multi-Use™ and ProMix™ are trademarks owned by American Torch Tip Company. © Copyright 2021, American Torch Tip Company.

KN / Tubematic



LASER

Not Shown
 280550 Cone Nut
 960350ATT Cap Nut
 (for 936678-Att)
 233758 2-pc Retaining Ring



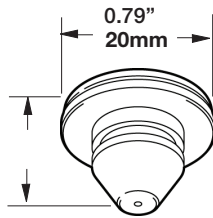
Nozzle L5005		Nozzle L5005		Nozzle		Shower Nozzle		Nozzle		Nozzle	
135423	0.8mm H.P.	226939	1.0mm Std.	135320	1.0mm Std.	955043		913799	0.8mm	224106	1.6mm
212334	1.0mm H.P.	226940	1.4mm Std.	135318	1.4mm H.P.			913800	1.0mm	224107	1.8mm
216199	1.4mm H.P.	227144	1.7mm	126157	1.75mm H.P.			913801	1.4mm	224109	2.0mm
225213	1.7mm H.P.	277177-2.0	2.0mm					937988	1.7mm	2085524	2.6mm
126156	2.3mm H.P.							937989	2.3mm		

American Torch Tip Company is in no way affiliated with the above-named original equipment manufacturer(s) ("OEM"). References to the above-named machines, torches, and numbers are for your reference only. Most parts advertised for sale are made by or for American Torch Tip, and other parts as indicated, are original parts manufactured by above-named OEM and are simply being re-sold by American Torch Tip. Footnotes: * = OEM; # = American Torch Tip is licensed to make and sell this part by named manufacturer; ATTC and ATT suffix = This part is an original American Torch Tip design and is not manufactured identical to the OEM design; © indicates a registered trademark, trade name, or product name of the above-named company. PHD®, PHDX™, Lightning®, Waltec™, Integra™, Lasertec Laser Division of American Torch Tip®, Multi-Use™ and ProMix™ are trademarks owned by American Torch Tip Company. © Copyright 2021, American Torch Tip Company.

TC 240, TC 260, TC 300
TrueLaser 3030, 5030, 5040, 5060

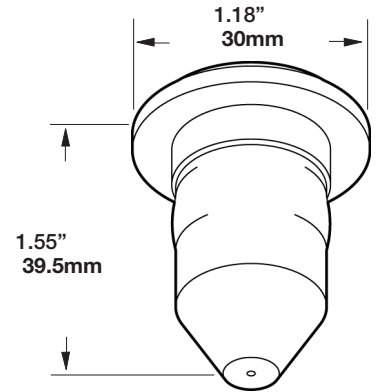
Punch Press Nozzle
For TC 240, TC 260

- 202952 0.8mm Std.
- 218969 1.0mm Std.
- 209402 1.4mm H.P.
- 211533 1.7mm H.P.
- 217953 1.7mm H.P.



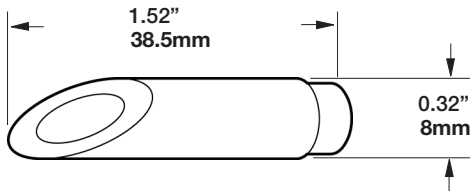
Nozzle For TC 300

060653-3 1.0mm



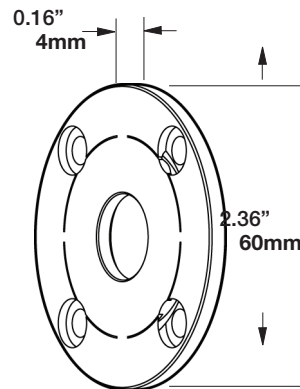
Blow Tube for TC Series

256184



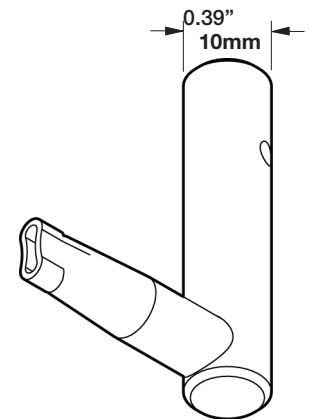
Cover Plate for TC Series

234485



Blow Pipe for TC Series

088557



LASER

Parts Available but Not Shown

- | | |
|--|------------------|
| 149884/D5589-801-05000 | Sensor Cable |
| 149951 | Cable MXC |
| 562311 | Cable BNC |
| 563983 | Cable BNC |
| 778560 | Focus Lens Set |
| P0589-400-00001-Rebuild / 778548-Rebuild | Sensor Inert MCX |
| P0589-800-00001-Rebuild / 562313-Rebuild | Sensor Inert BNC |

OPTICS FOR TRUMPF® LASERS
Focusing Lenses

P/N	Lasertec P/N	Material	Diameter	Focal Length	Edge Thickness
058398	ZM15500100	ZnSe	1.5"	5.0"	.100"
088114	ZM15500291	ZnSe	1.5"	5.0"	.291"
095273	ZM15750100	ZnSe	1.5"	7.5"	.100"
097517	ZM15750291	ZnSe	1.5"	7.5"	.291"

Protective Windows

P/N	Material	Diameter	Edge Thickness
1254813	FS	134mm	3mm
1614767	FS	34mm	5mm
766719	FS	30mm	5mm
777936-FS	FS	22.35mm	4mm

LASER

PLANO CONVEX

PLANO CONVEX FOCUSING LENSES

Plano convex lenses are a popular choice in high power CO₂ systems. When spot size and spherical aberration are not critical, these lenses are lower in cost than meniscus lenses, yet they still have the advantages of precise focusing and low absorption.

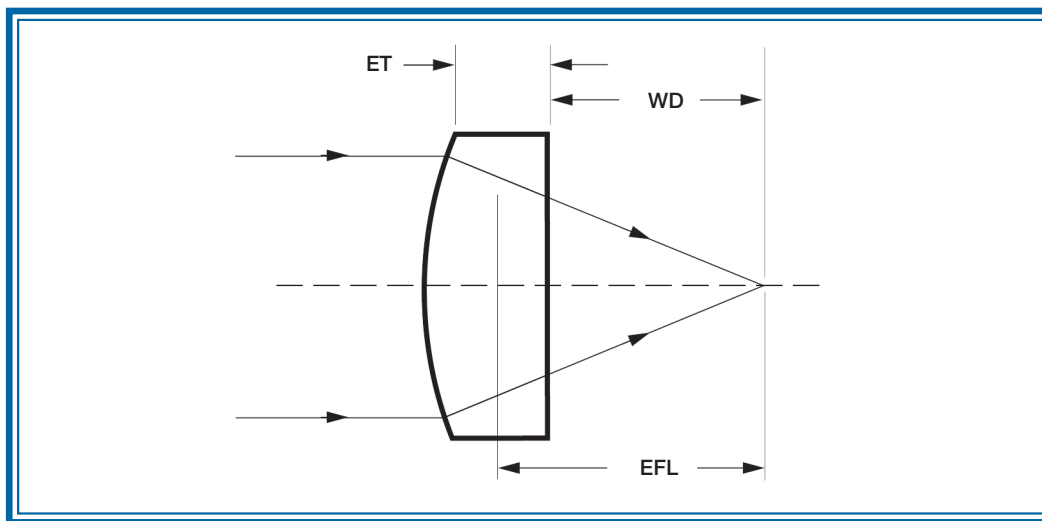
Standard Specifications:

Dimensional Tolerances

Diameter:	+0.000"/-0.005"
Thickness:	±.010"
Edge Thickness Variation:	≤.002"
Focal Length:	±1%

Surface Quality

Scratch-Dig:	40-20
*AR coating per surface:	<.2%
Clear Aperture:	90% of diameter
Absorption:	<.2%



*Note: Lasertec offers a variety of focusing lenses. Please call for more information.

LASER

MENISCUS FOCUSING LENSES

Positive meniscus lenses have two curved surfaces designed to minimize spherical aberration and achieve the smallest focal spot size. This smaller spot size gives a higher power density at the workpiece. Like the plano-convex lenses, only high quality zinc selenide is used to maintain low absorption and extend the life of Lasertec lenses.

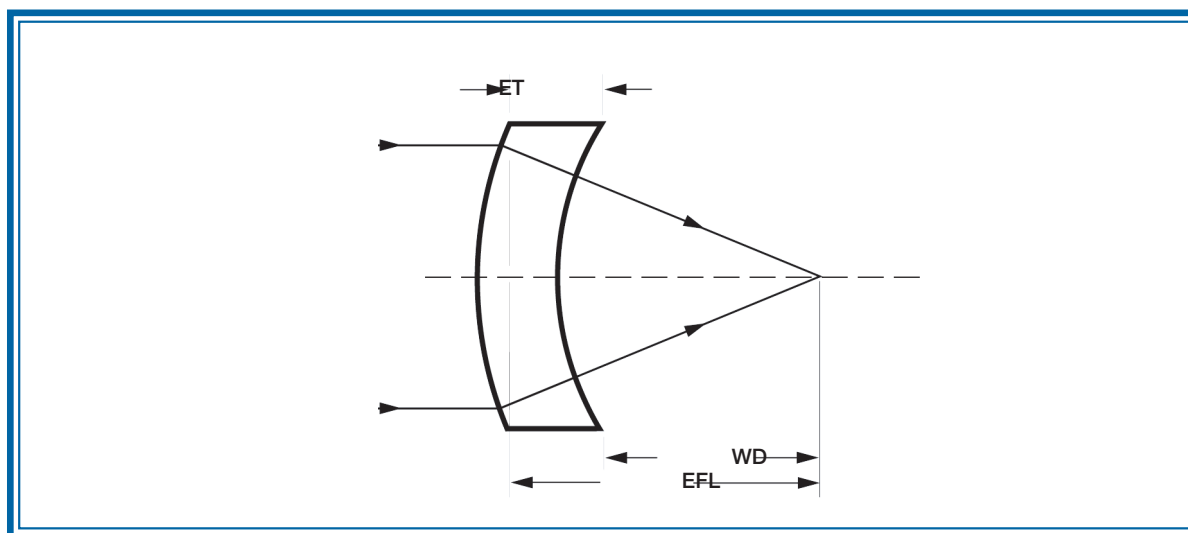
Standard Specifications:

Dimensional Tolerances

Diameter:	+0.000"/-0.005"
Thickness:	±.010"
Edge Thickness Variation:	≤.002"
Focal Length:	±1%

Surface Quality

Scratch-Dig:	40-20
* AR coating per surface:	≤.2%
Clear Aperture:	90% of diameter
Absorption:	≤.2%



*Note: Lasertec offers a variety of focusing lenses. Please call for more information.

LASER

Laser Index

Symbols

00-2293.....	29	03-8358.....	29	834-319-004.....	31	280029.....	51
01-2293.....	29	03-8720.....	29	834-319-009.....	31	280030.....	51
2.5S/TT.....	63	03-8729.....	29	834-319-010.....	31	280040.....	54,57
2.5"Z/J.....	45	3-14317.....	14	834-319-011.....	31	280041.....	54
02-2293.....	29	3-14318.....	14	834-319-012.....	31	280042.....	54
02-2293-2.5.....	29	3-14319.....	14	3030.....	66	280048.....	54
02-2293-3.0.....	29	3-16058-1.0.....	14	5030.....	66	280049.....	54
2-08700.....	14	3-16059.....	14	5040.....	66	280050.....	54
2-08701.....	14	3-16060.....	14	5060.....	66	280050-2.0.....	54
03-210T.....	29	3-16061.....	14	9123-47-46-3021.....	56	280408.....	54
03-214T.....	29	4-00184.....	18	9123-47-46-3021P.....	56	280549.....	54
03-215T.....	29	4-00185.....	18	9123-47-47-3020.....	56	280550.....	54
03-217T.....	29	4-00186.....	18	9123-47-49-3020.....	56	280551.....	54
03-224T.....	29	4-00187.....	18	9123-47-49-3020B.....	56	280552.....	54
03-230T.....	29	4-01642.....	14	9123-47-50-3020.....	56	280552-1.4.....	54
03-0335.....	29	4-01959.....	14	0018827-000.....	59	280553.....	54
03-0916.....	29	4-05094.....	18	0018827-100.....	59	280553-1.7.....	54
3-01658.....	14	4-05095.....	18	058398.....	67	280553-2.0.....	54
3-01905.....	14	4-09010.....	14	060653-3.....	66	280565.....	51
3-01906.....	14	5-05192/3-14319.....	14	62390.....	7	280566.....	51
3-01907.....	14	160-1.....	29	088114.....	67	280948.....	51
3-01908.....	14	160-2.....	29	095273.....	67	281029L.....	51
3-01909.....	14	160-3.....	29	097517.....	67	281029L-1.7.....	51
3-01910.....	14	216-10606.....	25	106054-000-2.0.....	58	281029L-1.8.....	51
3-01911.....	14	284.0402.....	55	135423.....	65	281123.....	52
3-01912.....	14	485.73.421.....	30	146323A4.....	57	281146/P0380-211-00001.....	51
3-01913.....	14	485.73.422.....	30	146324A4.....	57	281253/P0380-251-00010.....	51
3-01914.....	14	485.73.423.....	30	146325A4.....	57	281254/P0380-252-00012.....	51
3-01915.....	14	485.73.424.....	30	146326A4.....	57	281255/P0380-253-00015.....	51
3-02291.....	14	0591-573-00015.....	27	146327A4.....	57	281270/P0380-254-00020.....	51
03-2293.....	29	601-614-001.....	33	146328A4.....	57	149884/D5589-801-05000.....	66
03-2293-1.8.....	29	601-614-002.....	33	146329A4.....	57	149951.....	66
3-04273.....	14	601-614-003.....	33	146330A4.....	57	224106.....	65
3-04273-S.....	14	601-614-005.....	33	146331A4.....	57	224107.....	65
3-04274.....	14	601-859-002.....	33	149884/D5589-801-05000.....	66	224109.....	65
3-04277.....	14	603-172-001.....	33	149951.....	66	224107.....	65
3-05497.....	14	603-175-002.....	33	149951.....	66	224109.....	65
3-06035-C.....	14	603-271-001.....	34	149951.....	66	224109.....	65
3-06112.....	14	603-271-001-2.8.....	34	224106.....	65	233758.....	65
3-06112-3.5.....	14	603-271-002.....	34	224107.....	65	277177-2.0.....	65
		603-271-002.....	34	224109.....	65	280025.....	51
		603-271-002-1.5S.....	34	224109.....	65	280025-3.0.....	51
		603-271-002-2.0.....	34	233758.....	65	280025-3.5.....	51
		603-271-003.....	34	277177-2.0.....	65	280026.....	51
		603-472-002.....	33	280025.....	51	280027.....	51
		603-939-001.....	33	280025-3.0.....	51	280028.....	51
		605-213-001.....	33	280025-3.5.....	51	280028-1.7.....	51
		605-213-001-1.75.....	33	280026.....	51		
		834-319-002.....	31	280027.....	51		
		834-319-003.....	31	280028.....	51		
				280028-1.7.....	51		

LASER

American Torch Tip Company is in no way affiliated with the above-named original equipment manufacturer(s) ("OEM"). References to the above-named machines, torches, and numbers are for your reference only. Most parts advertised for sale are made by or for American Torch Tip, and other parts as indicated, are original parts manufactured by above-named OEM and are simply being re-sold by American Torch Tip. Footnotes: * = OEM; # = American Torch Tip is licensed to make and sell this part by named manufacturer; ATTC and ATT suffix = This part is an original American Torch Tip design and is not manufactured identical to the OEM design; © indicates a registered trademark, trade name, or product name of the above-named company. PHD®, PHDX™, Lightning®, Waltec™, Integra™, Lasertec Laser Division of American Torch Tip®, Multi-Use™ and ProMix™ are trademarks owned by American Torch Tip Company. © Copyright 2021, American Torch Tip Company.

352282-1.5.....	64	960350ATT.....	65	1572361.....	3	241795.....	63
352286.....	64	1000746-100.....	59	1572361-3.0.....	3	243839.....	63
352287.....	64	1001019-000.....	58	1572362.....	3	247894.....	63
455014.....	13	1001020-000.....	58	1572362-1.4.....	3	254493.....	64
455024.....	13	1001151-000.....	59	1579549.....	61	254496.....	64
455034.....	13	1001152-000.....	59	1579556.....	61	256152.....	64
455044.....	13	1001233-150.....	58	1614767.....	67	256153.....	64
455054.....	13	1001233-200.....	58	1633046.....	61	256184.....	66
562311.....	66	1001233-250.....	58	1637264.....	61	258809.....	63
562313.....	53	1001233-300.....	58	1664545U.....	5	26-71270-60.....	23
563983.....	66	1001233-350.....	58	1664545U-1.0R.....	5	260432.....	64
567011.....	9	106054-000.....	58	1664545U-1.2.....	5	280010.....	49
567011-rebuild.....	9	106054-000-1.5.....	58	1664545U-1.5.....	5	280011.....	45, 49
632336-117.....	47	106054-100.....	58	1664545U-1.5R.....	5	280012.....	49
632755-117.....	57	123409-000.....	58	1664546U.....	5	280012A.....	49
633744-137.....	47	123409-100.....	58	2-10837.....	17	280013.....	49
766719.....	67	124561.....	64	202952.....	66	280014.....	49
777936-FS.....	67	124562.....	64	209402.....	66	280015.....	49
778548.....	53	124562-1.5.....	64	211533.....	66	280015-1.3.....	49
778560.....	66	124564.....	64	212334.....	65	280016.....	49
0800952-000.....	59	126156.....	65	215780.....	63	280064.....	55
087658.....	63	126157.....	65	216-20717.....	25	280549.....	65
088557.....	66	126933.....	64	216-20718.....	25	280831.....	51
088893.....	63	1254813.....	67	216-20719.....	25	280898 / P0352-336-00018.....	
092405.....	65	1300236.....	5	216-20720.....	25		52
100.703.2.....	24	1300266.....	6	216-20722.....	25	280899 / P0352-326-00018.....	
100.703.2-2.5.....	24	135318.....	65	216-20815.....	25		52
100.703.3.....	24	135320.....	65	216065.....	63	280927.....	49
100.703.4.....	24	149884/D5589-801-05000.....		216066.....	63	280937.....	49
100.703.5.....	24		53	216199.....	65	280937-2.5.....	49
908085.....	21	149951.....	53	217867.....	63	281003.....	52
909484.....	21	1324858.....	61	217953.....	66	281005 / P0352-323-00010.....	
910315-S.....	19	1324860.....	61	217976.....	63		52
913799.....	65	1324861.....	61	218969.....	66	281006 / P0352-333-00010.....	
913800.....	65	1324863.....	61	221781.....	63		52
913801.....	65	1324864.....	61	225213.....	65	281009.....	55
913965.....	65	1324865.....	61	225286.....	64	281010 / P0352-352-00008.....	
913987.....	21	1324866.....	61	226939.....	65		52
922376.....	21	1324867.....	61	226940.....	65	281013 / P0352-325-00015.....	
922377.....	21	1373324.....	61	227144.....	65		52
923013.....	19	1373325.....	61	234485.....	66	281024.....	49
923014.....	19	1373326.....	61	235592.....	63	281024-1.8.....	49
923025.....	19	1373327.....	61	237497.....	64	281030 / P0352-334-00012.....	
924635.....	19	1373328.....	61	237497S.....	64		52
924636.....	19	1373329.....	61	237498-1.2.....	64	281031 / P0352-335-00015.....	
936678ATT.....	65	1373330.....	61	237500.....	64		52
937988.....	65	1373331.....	61	237501.....	64	281034 / P0352-324-00012.....	
937989.....	65	1507610.....	10	237503.....	64		52
942638.....	19	1568227.....	3	237872.....	63		

281035 / P0352-354-00012	52	10035267	15	352280	64	71369809	5
		10035268	15	352281	64	71369812	3
281036 / P0352-355-00015	52	10035269	15	352283	64	71369813	3
		10035270	15	352284	64	71369813-2.5	3
281242	55	10035271	15	352285	64	71369815	3
281243	55	10035272	15	62094003	4	71369816	3
281293	55	10035275	15	62094004	4	71369817	3
281298	55	10035278	15	62094005	10	71374509	9
281329	50	10035290	15	62094006	10	71398293	9
281330	50	10035292	15	62094006-2.5	10	71398965	9
281331	50	10035294	15	62094006-RING	10	71399107	8
281351	50	10035296	15	62094008	10	71399107-Rebuild	8
281352	50	10035298	15	71101901	4	71461026	3
281353	50	10035301	15	71101902	4	71461029	3
281354	50	10035302	15	71101905	3	71501056	3
281463	50	10045746	15	71101999	4	71501057	3
281548	50	10046025	16	71101999-2.5	4	71501058	3
281549	50	10046030	16	71102000	4	71501059	3
281550	50	10049744	15	71102000-1.75	4	71501070	10
281551	50	10049747	15	71109613	9	71501072	10
281561/778550	53	10051133	16	71341481	3	71501092	3
281590	50	10054099	16	71341515	10	71501093	3
281591	50	10071494	16	71341515-1.75	10	71502037	3
281672	50	10075057	15	71341515-3.0	10	71502043	3
281814-2.0	53	29100023	59	71341621	9	71512355	9
281814/149957	53	29100030	59	71341622	7, 8	71570020	3
1755673	61	29100055	59	71341630	9	71570021	3
1809091	61	29100061	59	71341634	8	71570022	3
1809421	61	29100062	59	71341680	5	71570023	3
1835747	61	29100115	59	71341680-3.0	5	71570026	11
1879940	62	29100116	59	71341680-3.5	5	71570030	3
1879951	62	3-00407	17	71341682	6	71571308	11
1879952	62	3-01894	17	71341682-2.0	6	71712335	3
1879953	62	3-01895	17	71341682-3.0	6	71712692	3
1886199	61	3-01896	17	71341682-4.0	6	71800018/W266	7
1906032	62	3-01897	17	71341682-0	6	71800019/W267	7
2059462	61	3-01898	17	71341683	4	71800023/W270	7
2060001	61	3-01899	17	71341684	6	79369815	3
2060004	61	3-01900	17	71341685	4	81140186	11
2060025	61	3-01901	17	71341687- Rebuild	6	81140190	11
2085524	65	3-01902	17	71341690	9	81140221	11
2253595	61	3-01903	17	71341690-6	9	81140225	11
5241863	58	3-04271	17	71341690-Rebuild	9	81140305	11
6506892	4	3-04272	17	71341728	3	81140306	11
7128020	6	3-04275	17	71341729	3	81140307	11
7150157	3	3-04276	17	71360091-Rebuild	5	81140389	11
7150158	3	3-09001	17	71361393	9	81140400	11
8249301	10	3-13113	17	71362733	10	91800024/W515	7
10035266	15	3-13422	17	71366096	6	0628331820	35

American Torch Tip Company is in no way affiliated with the above-named original equipment manufacturer(s) ("OEM"). References to the above-named machines, torches, and numbers are for your reference only. Most parts advertised for sale are made by or for American Torch Tip, and other parts as indicated, are original parts manufactured by above-named OEM and are simply being re-sold by American Torch Tip. Footnotes: * = OEM; # = American Torch Tip is licensed to make and sell this part by named manufacturer; ATTC and ATT suffix = This part is an original American Torch Tip design and is not manufactured identical to the OEM design; © indicates a registered trademark, trade name, or product name of the above-named company. PHD®, PHDX™, Lightning®, Waltec™, Integra™, Lasertec Laser Division of American Torch Tip®, Multi-Use™ and ProMix™ are trademarks owned by American Torch Tip Company. © Copyright 2021, American Torch Tip Company.

06283301050	35	6930250851	13	46143304480	34	46603350523	38
06283301200	35	6930250852	13	46143304480 2.5	39	4660350001	36
06283301210	35	6930250853	13	46143304490	34_39	46603350540	38
06283301790	35	6930250854	13	46143304500	34	46612350270	40
06283301800	35	6930250857	13_16	46143304510	34	46612350280	40
06283301810	35	6930250858	13	46143306460	34	46612350280S	40
06283301840	35	6930250859	13	46143306480	34	4663350002	38
06283302110	35	6930250860	13	46143306490	34	46654801053	39
6603305021-1.8	38	6930250861	13	46143306500	34	46683300030	38
6930003224	13	36143304420	34	46143306510	34	46683300850	37
6930250001	50	36143310523	35	46143310332	35	46683300930	36
6930250002	50	36143310740	34	46143310341	35	46683301070	36
6930250003	50	36143311500	35	46143310351	35	46683301080	36
6930250004	50	36143311510	35	46143310361	35	46683301090	36
6930250031	13	36143311520	35	46143310371	35	46683301100	36
6930250032	13	36143311530	35	46143310381	35	46683301110	36
6930250033	13	36143311535	35	46143310391	35	46683301120	36
6930250034	13	36143312230	35	46143310401	35	46683301130	37
6930250035	13	36143312240	35	46512300520	40	46683301140	37
6930250036	13	36143312250	35	46522300241	40	46683301150	37
6930250043	13	36143312260	35	46522300242	39	46683301160	37
6930250044	13	36143312280	35	46523300060	34_35_38	46683301170	37
6930250800	13	36143312300	35	46523300061	38	46683301281	38
6930250801	13	36143312310	35	46523300061-1.8	38	46683301821	37
6930250802	13	36143312311	35	46523300062	38	46683301841	37
6930250803	13	36143312320	35	46523300063	38	46683301930	37
6930250804	13	36143312330	35	46523300063-2.5	38	46683301950	37
6930250805	13	36143312340	35	46523300080	38	46683301950-1.0	37
6930250806	13	36143312350	35	46523300090	38	46683301950-1.2	37
6930250807	13	36143312390	35	46572301013	40	46683301950-3.5	37
6930250808	13	36564800714	39	46572301041	40	46683301950-4.0	37
6930250809	13	36564801270	39	46572301041T	40	46683301960	37
6930250810	13	36572301012	40	46572301042	40	46683301970	37
6930250811	13	36602300230	40	46572301042S	40	46683301980	39
6930250812	13	36602300550	40	46583301720	38	46713300280	39
6930250813	13	36623300700	39	46600030013	39	46713300290	39
6930250814	13	36673300280	40	46602350080	40	46713300300	39
6930250815	13	36682300050	40	46602350080S	40	46713300310	39
6930250816	13	36682300280	40	46602350080X	40	46713300320	39
6930250817	13	36682300281	40	4660235070	40	46713300410	39
6930250818	13	4-00324	17	46603300032	36_38	46713300430	39
6930250837	13	4-03136	17	46603350510	38	46713300440	39
6930250838	13	4-03137	17	46603350520	38	485.73.114C	30
6930250845	13	415684-015	49	46603350521	38	485.73.115A	30
6930250846	13	46143304450	34	46603350521-1.2	38	485.73.116A	30
6930250847	13	46143304450 1.5	39	46603350521-1.3	38	5241855	58
6930250848	13	46143304460	34	46603350521-1.6	38	5241856	58
6930250849	13	46143304460 2.0	39	46603350522	38	5241857	58
6930250850	13	46143304470	39	46603350522-2.5	38	5241862	58

5241877 58	920006 20	BQ983D151-H01 43	D
5241878 58	920006-2.5 20	BQ983D151-H04 43	D40 60
5241982 58	922408 19	BQ983D152-H01 43	D50 60
562311 53	922464 20	BQ983D152-H05 43	DIRECTED LIGHT® 22
563983 53	922465 20	BQ983D153-H01 43	DX 55
46773300721 37	922770 20	BQ983D153-H02 43	DXN 55
56743300500 39	922772 20	BQ983D206H00 43	DZ 55
603-271-005 34	923013 19	BQ983D206H01 43	
710.11.150 30	923014 19	BQ983D206H02 43	E
710.11.152 30	923021-S 19	BQ983D206H03 43	ELE-AL 1.5 22
710.11.153 30	923259 19	BQ983D206H04 43	ELECTROX 22
710.11.155 30	923260 19	BQ983D206H11 43	
710.11.156 30	924634 19	BQ983D206H12 43	F
71101905 3	924634-4.0 19	BQ983D206H13 43	FANUC® 23
71341610 5	924636 19	BQ983D206H14 43	FiberCut™ ST 32
71341610-2.5 5	924637 19	BQ983D314-H01 43	FN4325 22
71341614A 5	942742 64	BQ983D314-H03 43	FN5800 22
71360090 5	955043 65	BQ980442G01 43	
71360091 5	960351 65	BY310-0398 16	G
71360142 5	968-41-57-812 28	BySmart 15	Gremada® 24
71369819 5	968-41-57-812-1.6 28	Byspeed and Spare Parts 17	
722.52190 42	968-41-57-850 28	Bysprint® 14_15	H
722.52191 42	968-41-93-761 28	BySprint 15	H03014 27
722.52192 42		Bystar® 14_15	H03017 27
722.52280 42	A	ByStar 15	H03019 27
722.52281 42	AHS100 10	Bystronic® 14_15_16_17_18	H03021 27
722.52282 42	Amada® 6	BYSTRONIC® - FIBER 14_15	H03023 27
7945434 58	Lasmac 667/664 Water Assist 4		HCH-S01201 26
7945452 58	WACS Sensor System 6	C	HCH-TP1515 26
7945470 58	Amada® 3_4_5_7_8	C20D 60	HCH-TP1520 26
7945517 58	Optics 9, 10	C20D-1 60	HCH-TP1525 26
834-319-001 31	Sensor System HS95 5	C20D-2 60	HCH-TP2030 26
907469 20	B	C20E 60	Huffman® 25
907470 20	Behrens® 11	C20E-1 60	
907470-1.8 20	BEHRENS® 12	C20E-2 60	K
907470-S 20	BLM®/Adige 13	C20E-2-1.5 60	KN 55_65
907472 20	BQ980D311G02 43	C22D 60	KN / Tubematic 65
907557 21	BQ980D328G01 43	C22D-1 60	Komatsu® 28
907677 20	BQ980D434G01 43	C22D-2 60	
908090 20	BQ980D434G15 43	C25C 60	L
908090-2.0 20	BQ980D434G20 43	C25C-1 60	L4003E 64
908090-S 20	BQ980D434G25 43	C25C-2 60	L51 12
908446 64	BQ980D434G30 43	C30D 60	L52 12
909657 19	BQ980D434G35 43	C30E 60_65	L53 12
909658 19	BQ980D442G03 43	C30E-1 60	L53-2.0 12
909659 19	BQ983D150-H01 43	C50762A 13	L60 12
909660 19		Cincinnati® 19_20_21	
910315 19			
910315-S 19			

American Torch Tip Company is in no way affiliated with the above-named original equipment manufacturer(s) ("OEM"). References to the above-named machines, torches, and numbers are for your reference only. Most parts advertised for sale are made by or for American Torch Tip, and other parts as indicated, are original parts manufactured by above-named OEM and are simply being re-sold by American Torch Tip. Footnotes: * = OEM; # = American Torch Tip is licensed to make and sell this part by named manufacturer; ATTC and ATT suffix = This part is an original American Torch Tip design and is not manufactured identical to the OEM design; © indicates a registered trademark, trade name, or product name of the above-named company. PHD®, PHDX™, Lightning®, Waltec™, Integra™, Lasertec Laser Division of American Torch Tip®, Multi-Use™ and ProMix™ are trademarks owned by American Torch Tip Company. © Copyright 2021, American Torch Tip Company.

L1003.....	63	MX-0860	27	P0352-328-00025.....	52	P0595-58601.....	55
L2503	63	MX-0861	27	P0352-336-0002.....	52	P0787-483-00015.....	55
L2503E.....	64	MX-0862	27	P0352-353-00018.....	52	P0787-483-00015-1.75.....	55
L2530	64	MX-0863	27	P0352-381-00020.....	52	P0787-483-00015-2.0.....	55
L3003	63	MX-0864	27	P0352-382-00020.....	52	PARTIAL REFLECTORS.....	69
L3003E.....	64	MX-0865	27	P0352-383-00010.....	52	PLANO CONVEX FOCUSING LENSES.....	68
L3030	64	MX-0875	27	P0352-384-00012.....	52	PLGJT0006.....	20
L4003	63	MX-0989	26	P0352-385-00025.....	52	PLGJT0010.....	20
L4030	64	MX-0990	26	P0352-386-00015.....	55	PLGJT0172.....	32
L6030	64	MX-0991	26	P0352-387-00020.....	55	PLGJT0682.....	32
LA-488.....	56	MX-0992	26	P0352-388-00030.....	52	PLGJT0711.....	32
LASAG.LONG.....	28	MX-0993	26	P0352-392-00030.....	55	PLISR0w033	32
LASAG.SHORT	28	MX-0994	26	P0354-110-00001.....	52	PLORG0017.....	32
Lasag®.....	28	MX-0995	26	P0356-201-00001.....	52	PLTRAO325.....	19
Laserdyne®.....	30_31_33			P0380-110-00002.....	51	PO494-752-00001	13
Laser Lab®.....	29			P0492-441-00008.....	49	Precitec®.....	50_51_52_53_54_55
Laser Mechanisms®.....	32	N		P0492-483-00015.....	55	PRECITEC®.....	49
LUMONICS.....	34	NIIGATA®.....	48	P0492-484-00020.....	55	Prima®.....	30_31
LUMONICS/MAZAK®.....	34	NII-NOZ.....	48	P0494-853-00010.....	49_50_51_52_53_54_55	Q	
LVD®.....	58_59	Non Contact Head.....	19	P0494-854-00012.....	54	Q6143300020.....	35
LW3.46.101A.....	30	NTC® / BEYELER®.....	48	P0494-855-00015.....	54	Q6143300030.....	35
LW6.1E-111.....	30	NTC - G15C.....	48	P0572-0415-00020.....	50	Q6143300040.....	35
LW6.1E.111-1.75.....	30	NTC - G20C.....	48	P0578-0412-00012.....	50	Q6283300010.....	35
LW6.1E.112.....	30	NTC - G30C.....	48	P0578-0413-00015.....	50	Q6283300020.....	35
LW6.1E.113.....	30	NTC - L10C.....	48	P0578-0414-00018.....	50	Q6283300030.....	35
LW6.1E.114.....	30	NTC - L12C.....	48	P0589-400-00001.....	53_66	R	
LW6.1G.601.....	30	NTC - L15C.....	48	P0589-424-0008.....	53	Raytheon®.....	56
LW6.1G.602.....	30	NTC - L20C.....	48	P0589-426-00010.....	53	ROFIN SINAR®.....	56
LW6.1G.603.....	30	NTC - L30C.....	48	P0589-800-00001.....	53_66	S	
LW6.59.130A.....	30	NTC - L40C.....	48	P0591-002-00010.....	27	S-14.....	4
LX/LXP.....	44	NTC - S15B.....	48	P0591-002-00012.....	27_50	S-20.....	4
		O		P0591-002-00014.....	50	S17B.....	60
		OPTICS FOR AMADA® LASERS.....	11	P0591-002-00015.....	27_50	S20B.....	60
		OPTICS FOR BYSTONIC® LASERS..	18	P0591-002-00018.....	27	S25B.....	60
		OPTICS FOR CINCINNATI® LASERS	21	P0591-002-00020.....	27	S30B.....	60
		OPTICS FOR MAZAK® LASERS.....	41	P0591-002-00023.....	27	S50B.....	60
		OPTICS FOR MITSUBISHI® LA-	47	P0591-002-00025.....	27	SALVAGNINI®.....	57
		SERS.....	47	P0591-571-00010.....	27_50	SCL.....	55
		Optics for Strippit® lasers.....	55_57_59_67	P0591-572-00012.....	27	SE-145.....	56
		P		P0591-573-00015.....	50	SENSOR SYSTEM 2.5"Z/J.....	49
		P0352-311-00001.....	52	P0591-573-00018.....	50	SENSOR SYSTEM 5"DXN.....	51
		P0352-327-00020.....	52	P0591-573-00020.....	50	SENSOR SYSTEM 5"K.....	54
				P0591-573-00025.....	50	SENSOR SYSTEM 5"KN.....	54
				P0591-574-00018.....	27_50		
				P0591-575-00020.....	27		
				P0591-576-00025.....	27		
				P0594-820-00001.....	53		
				P0594-860-00001.....	7_53		

LASER

American Torch Tip Company is in no way affiliated with the above-named original equipment manufacturer(s) ("OEM"). References to the above-named machines, torches, and numbers are for your reference only. Most parts advertised for sale are made by or for American Torch Tip, and other parts as indicated, are original parts manufactured by above-named OEM and are simply being re-sold by American Torch Tip. Footnotes: * = OEM; # = American Torch Tip is licensed to make and sell this part by named manufacturer; ATTC and ATT suffix = This part is an original American Torch Tip design and is not manufactured identical to the OEM design; © indicates a registered trademark, trade name, or product name of the above-named company. PHD®, PHDX™, Lightning®, Waitec™, Integra™, Lasertec Laser Division of American Torch Tip®, Multi-Use™ and ProMix™ are trademarks owned by American Torch Tip Company. © Copyright 2021, American Torch Tip Company.

SHIBUYA®	56	6930250850	13	W267	44	W225	45
SP-810-055	56	6930250851	13	W268	7_44	W225-2.5	45
SPA01-B0001	22	6930250852	13	W268-3.5	44	W226	45
SPA01-B0002	22	6930250853	13	W268-4.0	7_44	W226-3.5	45
SPA01-B0003	22	6930250854	13	W269	44	W239	45
SPA01-B0004	22	6930250857	13_16	W269S	44	W400	46
SPA01-B0031	22	6930250858	13	W270	44		
SPECTRA PHYSICS®	56	6930250859	13	W270-6	44		
Strippit®	58_59	6930250860	13	W387	7_44		
Super Charge X510	36_37	6930250861	13	W388	7_44	YH27	53
		L53-2.0	12	W389	7_44	YK52	55
3-01658	14	PO494-752-00001	13	W390	44		
3-04273-S	14			W429A	44		
3-14317	14			W429-N	44		
3-14318	14			W495	41	Z50MB000130	41
3-14319	14			W500	47	Z50MB000160	41
3-16059	14			W505	47	Z50MB000400	41
3-16060	14			W510	47	Z50ZZ005150	41
3-16061	14			W515	44	Z50ZZ005160	41
4-04976	17			W776	7_44	Z50ZZ005190	41
10075057	15			W777	44	Z50ZZ005200	41
6930250031	13			W777-1.2	44	ZC11250160	11
6930250032	13			W812A	44	ZC11375160	11
6930250033	13			W813	47	ZC11500160	11
6930250034	13			W830	44	ZC11750160	11
6930250035	13			W1075	44	ZC15100236	31
6930250036	13			W1249	44	ZC15250236	31
6930250043	13			W1250	44	ZC15350118	47_59
6930250044	13			W1251	44	ZC15375236	31
6930250801	13			W1252	44	ZC15375300	11
6930250802	13			W1253	44	ZC15500118	41
6930250803	13			W1254	44	ZC15500236	31_41_59
6930250804	13			W1255	44	ZC15500300	11_31
6930250805	13			W1256	44	ZC15500310	41_47
6930250806	13			W149	45	ZC15518280	21
6930250807	13			W1626	44	ZC15750236	31
6930250808	13			W1627	44	ZC15750300	11_31_59
6930250809	13			W1627C	44	ZC15750315	47
6930250811	13			W1628	44	ZC15766280	21
6930250812	13			W1629	44	ZC20500120	41
6930250813	13			W1630	44	ZC20500310	41_47
6930250814	13			W165	46	ZC20500380	11
6930250816	13			W1661	44	ZC20519380	21
6930250817	13			W1664	44	ZC20750197	41
6930250818	13			W1665	44	ZC20750310	47
6930250837	13			W1666	44	ZC20750380A	11
6930250838	13			W1772	44	ZC20750380M	41
6930250848	13			W223	45	ZC20769380	21
6930250849	13			W224	45	ZC155018160	21
						ZM15375236	31

American Torch Tip Company is in no way affiliated with the above-named original equipment manufacturer(s) ("OEM"). References to the above-named machines, torches, and numbers are for your reference only. Most parts advertised for sale are made by or for American Torch Tip, and other parts as indicated, are original parts manufactured by above-named OEM and are simply being re-sold by American Torch Tip. Footnotes: * = OEM; # = American Torch Tip is licensed to make and sell this part by named manufacturer; ATTC and ATT suffix = This part is an original American Torch Tip design and is not manufactured identical to the OEM design; ® indicates a registered trademark, trade name, or product name of the above-named company. PHD®, PHDX™, Lightning®, Waltec™, Integra™, Lasertec Laser Division of American Torch Tip®, Multi-Use™ and ProMix™ are trademarks owned by American Torch Tip Company. © Copyright 2021, American Torch Tip Company.

ZM15500100..... 67
 ZM15500291..... 59_67
 ZM15500350..... 59
 ZM15750100..... 67
 ZM15750291..... 59_67
 ZM15750350..... 59
 ZM18500354..... 59
 ZM18750354..... 59
 ZM20100380..... 59
 ZM20125380..... 59
 ZM20750380..... 47_59



MIG WELDING PRODUCTS

LIGHTNING

PLASMA CUTTING PRODUCTS

PHD® **PHDX**® **CleanCut**

OXY-FUEL WELDING & CUTTING PRODUCTS

AMERICAN
TORCH TIP **ATTC**

TIG WELDING PRODUCTS

AMERICAN
TORCH TIP **ATTC**

LASER CUTTING PRODUCTS

LASERTEC



Since 1940
Made In the USA

AMERICAN
TORCH TIP **ATTC**